

Metal gratings.

**Electro-forgewelded,
pressed, super anti-slip,
safe steps, fencing**



**Build your
changes.**

Contents

1. Electro-forgewelded grating	18
• Standard grating	20
• Custom sizes	21
• Standard panels	28
2. Pressed grating custom sizes with flat and C-shaped edge (Edged and galvanized)	30
3. Cross-pressed gratings custom sizes with different sized flat bars (Edged and galvanized)	38
4. Cross-pressed gratings custom sizes with same depth flat bars (Edged and galvanized)	44
5. Superanti-slip gratings (SAS)	50
• Electro-forgewelded custom sizes	52
• Pressed custom sizes	58
6. Special products	60
• Custom size contoured grating	62
• Special pressed grating	63
• Anti-theft fixing and fastening systems	64
7. Safe steps and stairtreads	70
• In electro-forgewelded and pressed grating	72
• In pressed grating anti-vertigo	76
8. Fencing in electro-forgewelded grating (Boxer)	78
9. Fencing in pressed grating (Prexa)	86
10. Sun screen fencing	96
• Wing	98
• Open Wing	99
• Wall	100
• Screen	102
11. Fencing	104
• Easy	106
• Style	116
• Lancer	117
12. Accessories for fencing and installation (Posts and installation systems)	118
13. Custom size gates	122
14. Finishes	134
15. Certifications	141
Contacts	145
	3





Gridiron. 40 years of Italian history

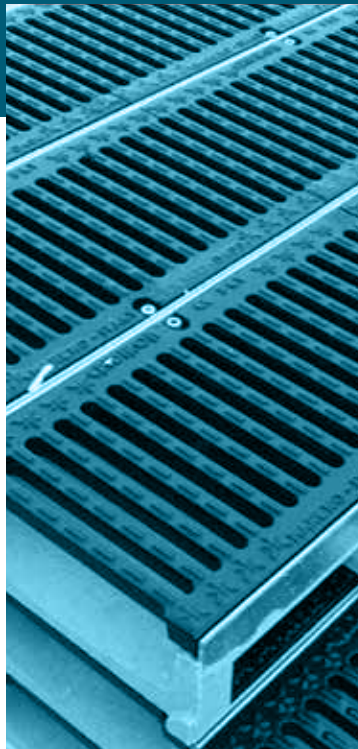
Gridiron was founded in **1979 in Italy**, in Mareno di Piave, thanks to the entrepreneurship and tenacity of **Giancarlo Zanette**, and is currently present in over **36 countries worldwide** as a cutting-edge company operating in the public and private building sectors.

The Gridiron range includes **technical gratings, drainage systems, doormats** and **building accessories** that are fitted in monumental buildings in central **London**, drain water from the **San Giorgio Bridge**, serve as components in oil rigs in the **Atlantic Ocean** and equip luxury **public** and **private** facilities, where they combine functionality and aesthetics.

Gridiron, which is still firmly headed by the **Zanette family**, currently organises its production, research and development activities in various plants covering a total surface area of **70,000 m²** located in North-Eastern Italy, where it relies on the precious contribution of **150 people**.

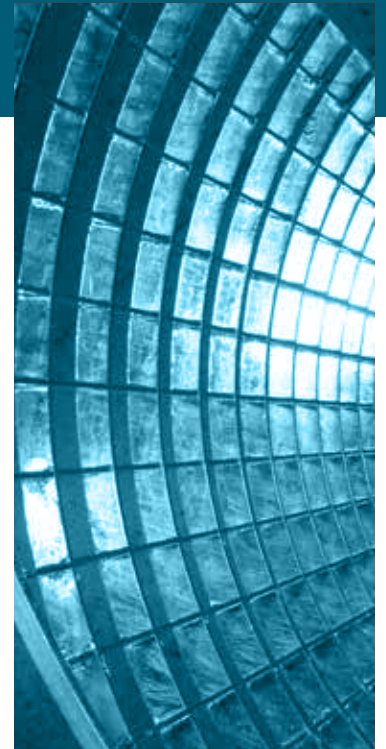
Gridiron.

A single answer for multiple solutions



Drainage systems

We are the **only** company in **Europe** to manufacture the **entire drainage system** (channels, profiles, gratings, sump units and accessories) in **three** different **materials** (polymer concrete, vibro-compressed and reinforced concrete, ABS).



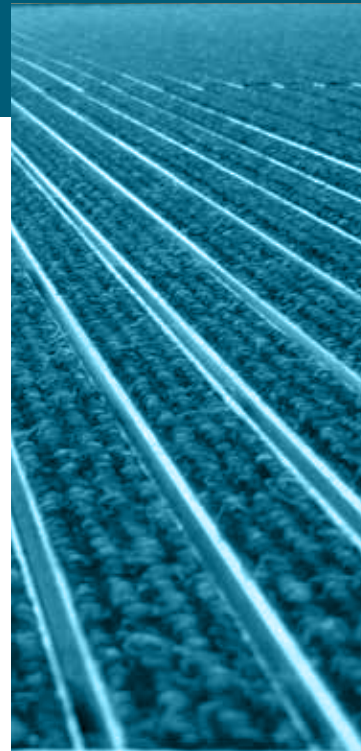
Metal gratings

Our origins are inextricably linked to **gratings**, an extremely **versatile** product which we manufacture in the **forge-welded** and **pressure-locked** versions, in galvanised steel, **stainless steel** and **aluminium**. Moreover, we are among Europe's leading manufacturers of **sun screens** and **wind screens**, and offer a broad range of **steps**, **fences** and **gates** for industrial and domestic use.

Knowing **steel** and processing **it to make technical gratings** has led us to develop new product categories over the years: **technical doormats, building accessories** and **drainage channels**.

For the latter, we started out as suppliers of covers and soon decided to manufacture the entire system in-house, driven – as always – by our desire to bring **a unique know-how** to the market.

Our **standard products** provide endless **customisation** options, offering the ideal solution for every application, from **major works** to **exclusive projects**.



Stainless steel drainage systems

Stainless steel: the perfect material for satisfying **aesthetic requirements**, indispensable in all sectors that require **resistance to corrosion** and compliance with **hygiene and health regulations** (petrochemical, mining, pharmaceutical, food processing industries, etc.).

The Gridiron range includes an extensive range of **basins, channels, standard, or custom wastes**.

Building accessories

Our range of building **accessories** has expanded over the years to include **manhole covers** and **standard and custom plates, window wells** and **standard gratings**. The range includes cutting-edge systems such as the **“Key” manhole cover (watertight)**, the **“Green” model (draining version for gardens)**, and many more.

Technical doormats

Gridiron doormats combine **visual appeal, functionality** and **safety**, and are all equipped with a **soundproofing** base. Available in various thicknesses, colours and types of coatings, they are entirely **customisable**.

Be it the hall of a luxury hotel or the entrance to an **airport, a company** or a **building**, Gridiron will be able to guide you right from the design phase to the final installation.

Gridiron. Certificates



ISO 9001: industrial excellence

The certification in accordance with the **ISO 9001** standard guarantees the maintenance and ongoing improvement of the **quality** of its **goods** and **services**, through **monitoring** of all **processes** and the measurement of **results**.

In an increasingly complex and cluttered global market, this becomes an important factor that drives **customers** to **choose** the company, acknowledging its **high-quality standard** and **reliability** at an international level.



Product certifications

Our products are **CE**-marked in accordance with relevant standards:

Drainage channels: EN 1433

Gates: EN 13241

Welded steel components: EN 1090

The latter, in particular, offers further proof of our commitment towards the **safety** of our **operators**.





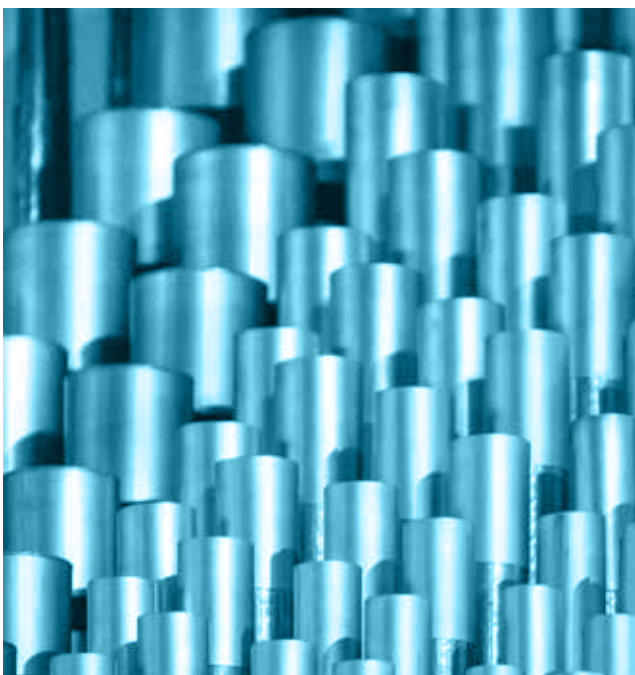
Gridiron.

Raw materials and technologies

Our **unique** and **innovative approach** on the market derives from our success in merging two aspects that have elevated **"Made in Italy"** to world fame: the art of **working** matter and advanced **technological research**.

This has allowed us to become **experts** in new creations, and it is also the secret behind our ability to operate with a **flexible** and highly **customised** approach.

Since the outset we have been collaborating with **premium suppliers**, with which we have established a relationship based on **trust** and mutual **esteem**: a further guarantee of our reliability and professional approach, allowing us to manufacture **qualitatively excellent** products for our customers.

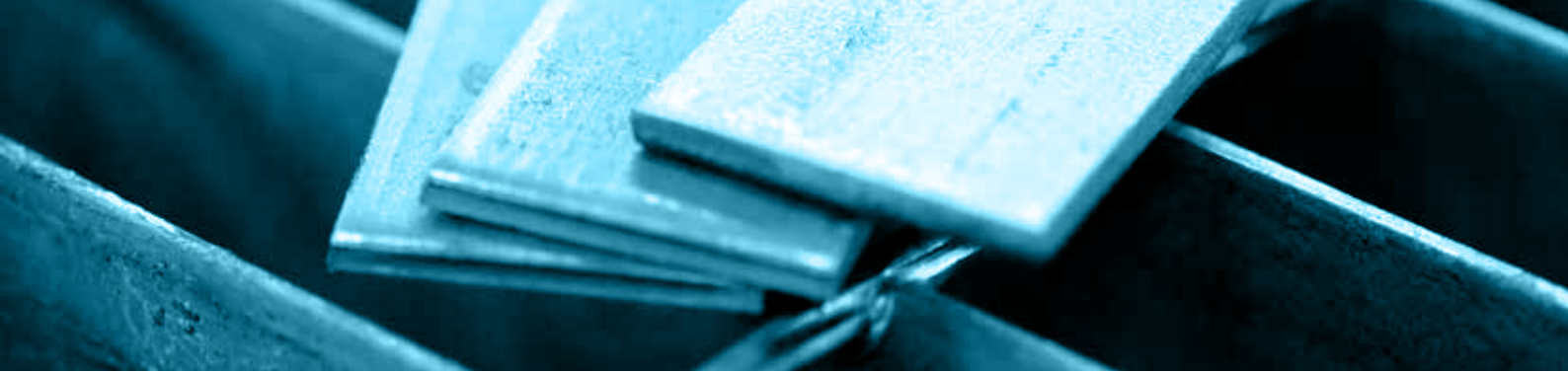


We work with **pickled** and **galvanised** strips that are **heavier** than the market average, resulting in **better performance** for our machinery and product **finishes** that are better and significantly **longer-lasting**.

Thanks to a **production process** that is carried out **entirely in-house**, our products can fulfil requirements for **any shape** and **size**.

We choose to **test** each product internally, in our **Research and Development department**, where we conduct tests that are **even more rigorous** than those prescribed by the sector standards.

We invest constantly in the implementation of **new processes**, the introduction of **innovative software** and the purchase of **new-generation machines**, which are then **re-engineered internally**, making the **quality** of Gridiron products unique and non-reproducible.



The raw material we use

Thanks to our experience acquired in over 44 years of business, we are able to offer our customers a broad range of forge-welded and pressure-locked gratings, made with different types of raw materials suited to the customer's main requirement. Each material has different technical properties relating to load-bearing capacity and resistance to the contact agents to which it is subjected.

Materials and finishes used in manufacturing the grating and the relative finishes available:

Material	Finishes						
	Raw	Galvanized	Pickled	Anodized	Polished	Coated	Passivated
S235JR STEEL (IRON)	●	●				●	
S275JR STEEL (IRON)	●	●				●	
S355JR STEEL (IRON)	●	●				●	
AISI 304 STAINLESS STEEL	●		●		●		●
AISI 316 STAINLESS STEEL	●		●		●		●
AISI 316TI STAINLESS STEEL	●		●		●		●
5754 ALUMINIUM	●			●		●	●
TYPE A CORTEN	●						





Gridiron. Services

From **design** to **installation** consulting and **logistics**, Gridiron is a solid **partner** for our customers, for a reliable **collaboration** covering all aspects.

Ever since the beginning we realised the importance of being able to offer a **product** in the **broader sense**, where “product” refers not only to the material outcome but also to the ecosystem that is intimately bound to it, where **services**, **relations** and **experiences** all merge.

We operate with care at every step of the process, from the initial contact with the customer to the delivery of our products. Also when we prepare the **shipment**, we study the loads so that the unloading and assembly operations can be carried out smoothly and effectively.

Our main services:

Preventive analysis

Solution research

Design

Load calculations

Drafting of specifications

Installation instructions

Fast and smart logistics service



Technical notes



> Unit of measure

All linear units of measure in this catalogue are expressed in millimetres. All units of measure of weight are expressed in kg/m².

> Material

All of the gratings and products shown in this catalogue are made of steel S235JR (Fe 360B), unless otherwise specified.

> Grating panel

Product composed of right-angle intersection of bars in vertical section placed parallel and equidistant with connecting elements placed parallel and equidistant.

> Types of gratings

The gratings are divided into 5 types, analytically specified in the corresponding sections of this catalogue. Respectively they are: **Electro-forgewelded grating • pressed grating with flat edge • pressed grating with C-shaped edge • cross-pressed grating with different flat bars • cross-pressed gratings with same depth flat bars.**

> Electro-forgewelding or electro-fusion

Welding by fusion without the addition of material by means of which the connection element is pressed into the bearing flat bar.

> Pressing

Insertion by pressing connecting elements into the groove of the bearing flat bars.

> Cross

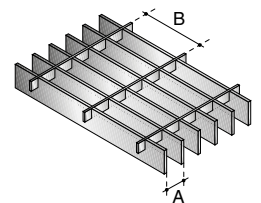
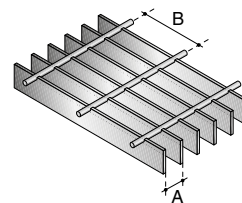
Insertion by pressure of load-bearing and connection elements, both punched.

> Punching of flat bars

Rectangular groove made on the flat bars that make up the pressed and crossed gratings, to hold respectively the connection or cross bars.

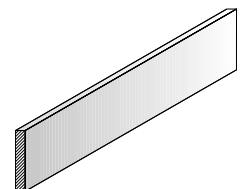
> Meshes (A and B)

Surface marked by the distance between centres of two consecutive bearing bars (A) and two consecutive transverse bars (B).



> Bars

They constitute the load-bearing elements of the grating and provide the rating with different capacities depending on their dimension. They are placed with the section vertical and parallel to one another. The size of their section followed by the formula of the mesh identifies the type of mesh. E.g.: 25×2 22×76.



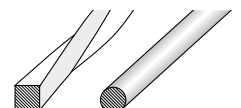
> Load-bearing direction

The direction of the bearing bars is shown with the conventional symbol.



> Connections

Elements placed transversally to the bearing bars, for the purpose of connecting and keeping constant the space between the bearing bars. The connections also serve to transversally distribute the load.





> Gratings

This term, which is used exclusively for the electro-forgewelded grating, indicates the sheet of grating of a commercial size suitable for working, and therefore not yet edged. It is normally unfinished, but it may be subjected to hot galvanizing.

> Panel - grating

These terms refer to the custom size grating, edged and hot galvanized, which in the case of the grating also includes the frame.

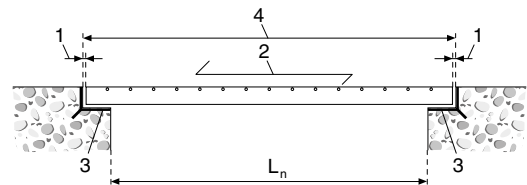
> Frame

Profile in galvanized steel in various sections to contain panels of various thickness and dimensions.

> Clear span between supports (L_n)

Measurement of the clearance between two adjacent support structures, measured in the direction of the bearing bars.

1. space between panel and frame
 2. load-bearing direction
 3. support structure
 4. external length of frame
- L_n clear span between supports

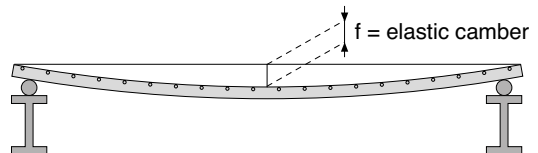


> Capacity

Each type of grating has a specific load-bearing capacity based on the distance between the supports of the panel. The contribution of the connection element is not considered, since the load-bearing capacity is almost entirely that of the bearing bars.

> Deflection (f)

Vertical displacement with respect to the horizontal plane of a point of the panel due to the load acting upon it.



> Footprint

Surface of grating directly affected by the load.

> Load concentrated on footprint

Load exercised directly on footprint.

> Evenly-distributed load

Load distributed evenly over the entire surface of the panel.

> Static load

Mass of pedestrians or vehicles considered in condition of immobility. Expressed in kilograms (kg).

> Dynamic load (P)

Total load of dynamic effects. The values for the various classes are specified on page 123.

> Galvanizing

This fundamental protective treatment is carried out in accordance with standards UNI EN ISO 1461.

> Polyester powder coating

Treatment which is always carried out on previously hot-galvanized material, performed with heat-setting pure polyester powders (PE).

Tolerances

Gratings may undergo dimensional variations with respect to the nominal measurements due to various types of shrinkage or expansion of the material. The following are the average values to consider as being within the tolerances.

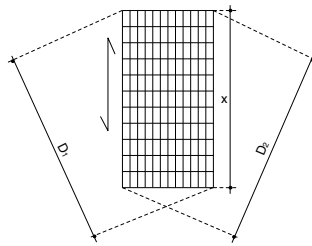
> Dimensional tolerances of the panels

- **Panel length (X)**

(x) tolerance on length
 for $x \leq 2\,000$ mm
 x max. = 0 mm
 -4
 for $x > 2\,000$ mm
 x max. = 0 mm
 $-0,002 \cdot x$

- **Panel width (y)**

(y) tolerance on width
 for $y \leq 1\,000$ mm
 y max. = 0 mm
 -6
 for $y > 1\,000$ mm
 y max. = 0 mm
 $-0,006 \cdot y$

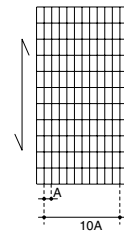


- **Panel diagonals (D1;D2)**

(d) tolerance on diagonals
 for $x \leq 2\,000$ mm
 d max. = $D1-D2 = \pm 6$ mm
 for $x > 2\,000$ mm
 d max. = $D1-D2 = 0,003 \cdot x$

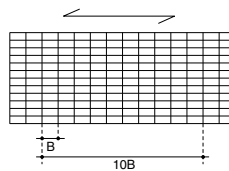
- **Interval of bearing bars (A)**

(a) tolerance on interval of bars on 10 intervals ($10 \cdot A$)
 a max. = ± 4 mm
 on n° 1 interval
 a max. = $\pm 1,5$ mm



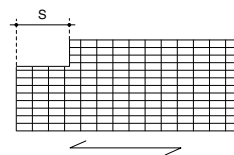
- **Interval of Cross bars (B)**

(b) tolerance on interval of cross bars on 10 intervals ($10 \cdot B$)
 b max. = ± 4 mm
 on n° 1 interval
 b max. = ± 2 mm



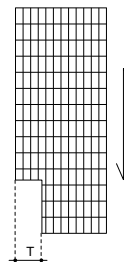
- **Straight cut out length (S)**

(s) tolerance on length of cut out
 s max. = 0 mm
 +10



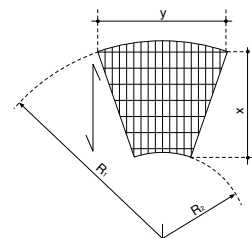
- **Straight cut out width (T)**

(t) tolerance on width of cut out
 t max. = 0 mm
 +10



- **Circular cut out radius (R;R2)**

(r) tolerance on radius of cut out
 $r_1 = 0$ mm
 -8
 $r_2 = 0$ mm
 $+8$

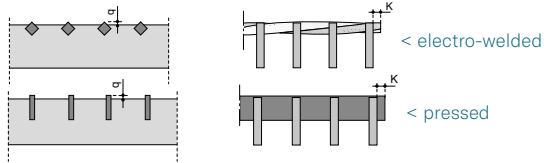




> Tolerances of construction of panels

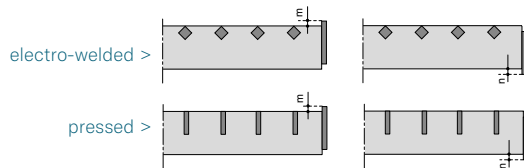
● Protuberance of cross bars (q; k)

(q) tolerance on protuberance between cross bars and bearing bars
 $q \text{ max.} = 1,5 \text{ mm}$
 (k) tolerance on protuberance of cross bars with respect to bearing bars
 $k \text{ max.} = 1,5 \text{ mm}$



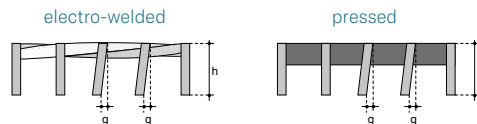
● Protuberance of edging bar (m; n)

(m) tolerance on protuberance between edge and bearing bars on the upper part of the panel
 $m \text{ max.} = 1,5 \text{ mm}$
 (n) tolerance on protuberance between edge and bearing bars on the lower part of the panel
 $n \text{ max.} = 1,5 \text{ mm}$



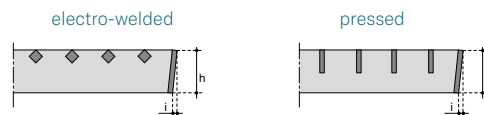
● Inclination of bearing bars (g)

(g) tolerance of inclination of bearing bars
 $g \text{ max.} = 0,1 \cdot h$
 $g \text{ max.} = \text{bearing bar thickness}$
 In any case $g \text{ max.} = 4 \text{ mm}$



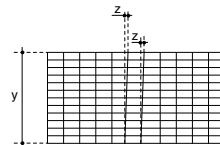
● Inclination of edging bar (i)

(i) tolerance of inclination of edge
 $i \text{ max.} = 0,1 \cdot h$
 $i \text{ max.} = \text{thickness of edging bar}$



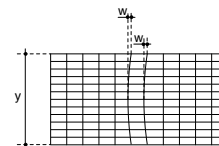
● Right angles of cross bars (z)

(z) tolerance of right angles of cross bars with respect to bearing bars
 $z \text{ max.} = 0,003 \cdot Y$



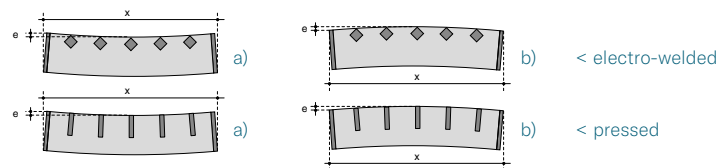
● Curvature of cross bars (w)

(w) tolerance of curvature of cross bars
 $w \text{ max.} = 0,004 \cdot Y$



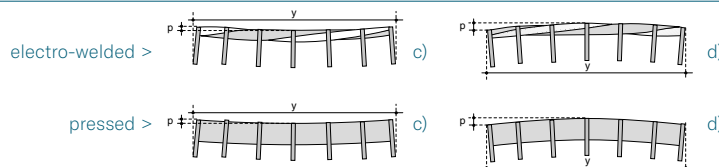
● Longitudinal planarity (e)

(e) tolerance of longitudinal planarity
 a) concave panel
 $e \text{ max.} = X/200 \text{ mm}$
 b) convex panel
 $e \text{ max.} = X/150 \text{ mm}$



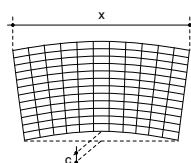
● Transversal planarity (p)

(p) tolerance of transversal planarity
 c) concave panel
 $p \text{ max.} = Y/200 \text{ mm}$
 d) convex panel
 $p \text{ max.} = Y/150 \text{ mm}$



● Curvature of bearing bars (c)

(c) tolerance of curvature of bearing bars
 $c \text{ max.} = 1/200 \cdot X$

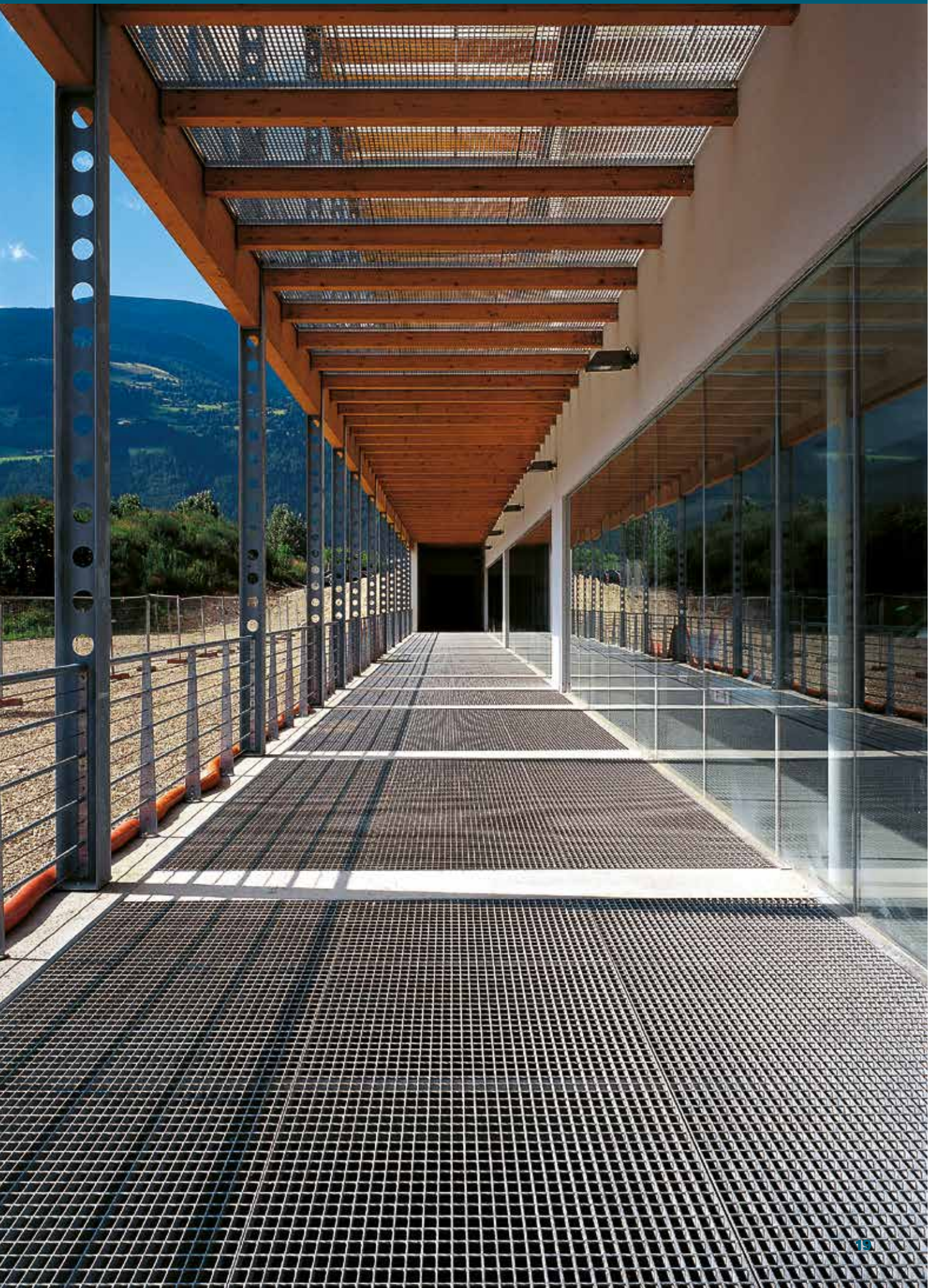


● Warping

(sv) tolerance of curvature of the diagonals
 $sv \text{ max.} = D/150 \text{ mm}$
 $D = \text{diagonal of panel}$

1. Electro- forgewelded grating

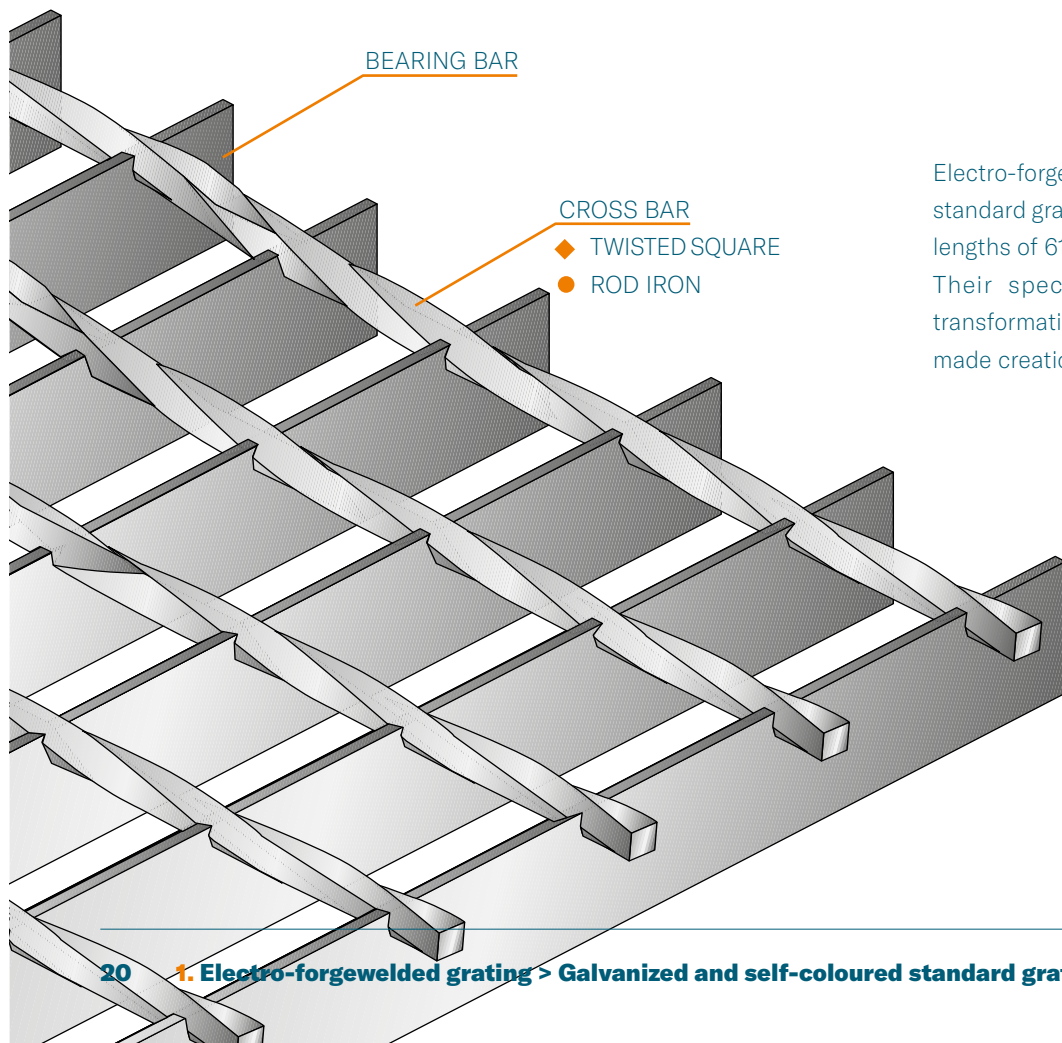
• Standard grating	20
• Custom sizes	21
• Standard panels	28



Electro-forgewelded grating

> Standard gratings

raw, galvanized, stainless steel



Electro-forgewelded grating is always in stock in standard grating panels in the usual commercial lengths of 6100 mm.

Their special dimensions allow versatile transformations and thus permit rapid custom-made creations.



Electro-forgewelded grating

> Custom size

raw, galvanized, stainless steel



The panels are cut to size and finished with edging, which consists of the welding of a bar with the same height as the bearing bars that make up the grating.

Gridiron specializes in drawing-based cutting and shaping of the grating panels.

SPECIFICATION ITEMS: Gridiron type electro-forgewelded grating produced by electro-welding with no added material. Formed of bearing bars of mm... x mm... of thickness and connection spacers in twisted squares or rod iron of mm... per side or diameter. Mesh of mm...x mm... calculated in axis (bearing bars mm...- twisted squares or rod iron for cross bar mm...). Edging plate of mm... x mm... All edged and hot dip galvanized in panels of mm... x mm...

The first measurement refers to the dimension of the bearing bars.

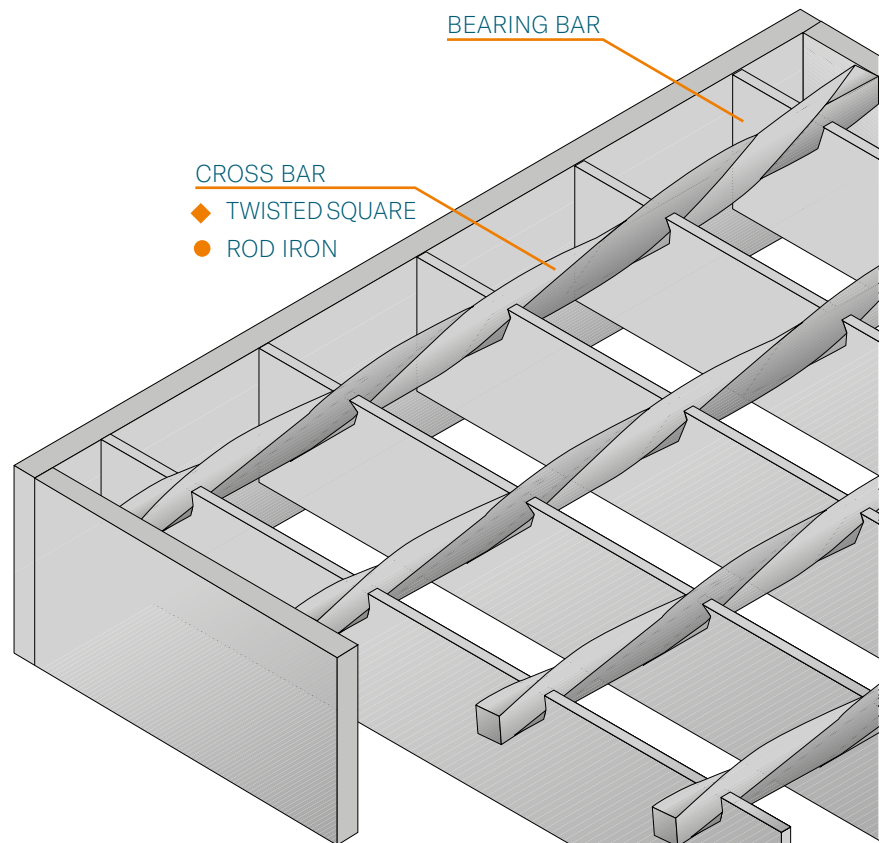
Distributed capacity: kg/m²...

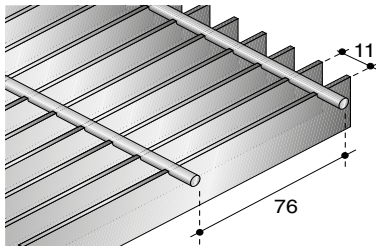
Concentrated capacity on footprint of mm.. x mm.: kg...

Maximum allowed camber: mm...

Weight of grating: kg/m²...

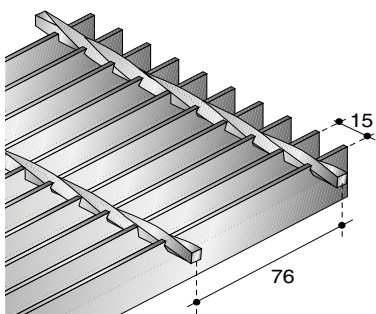
As necessary: add item complete with frame.





Mesh mm 11x76

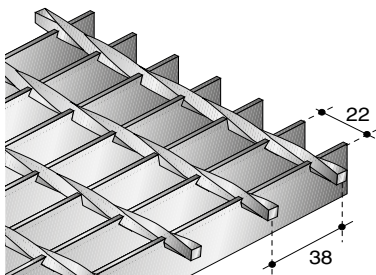
BEARING BAR mm	25x2	25x3
CROSS BAR mm	● 4	● 4
SELF-COLOURED WEIGHT kg/m ²	37,2	55,5
GALVANIZED WEIGHT kg/m ²	39,06	58,27
GRATINGS DIMENSIONS mm	6100x994	6100x995



Mesh mm 15x76

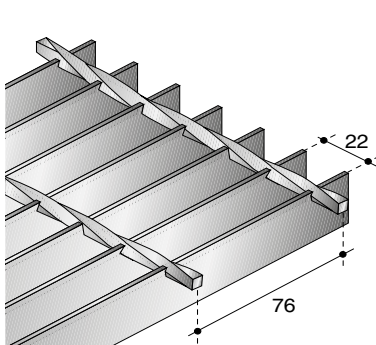
BEARING BAR mm	20x2	25x2	25x3	30x2	30x3		
CROSS BAR mm	● 4	◆ 4	◆ 4	● 4	◆ 5		
SELF-COLOURED WEIGHT kg/m ²	22,36	28,91	42,04	34,18	49,93		
GALVANIZED WEIGHT kg/m ²	24,01	30,97	44,17	36,59	52,41		
GRATINGS DIMENSIONS mm	6100x999	6100x999	6100x1000	6100x999	6100x1000		
	40x2	40x3	50x2	50x3	50x4	60x4	70x4
	● 4	◆ 5	◆ 4	◆ 6	◆ 6	◆ 6	6
	44,71	65,71	54,65	81,50	107,98	129,07	150,15
	47,84	68,91	57,38	85,40	111,97	133,76	155,55
	6100x999	6100x1000	6100x1000	6100x994	6100x995	6100x995	6100x995
	BEARING BAR mm			30x3			
	CROSS BAR mm			◆ 5			
	SELF-COLOURED WEIGHT kg/m ²			48,30			
	GALVANIZED WEIGHT kg/m ²			50,81			
	GRATINGS DIMENSIONS mm			6100x1000			

SPECIAL PRODUCTS
SUPERANTI-SLIP



Mesh mm 22x38

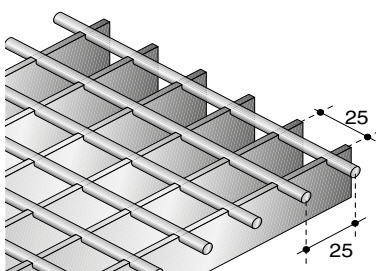
BEARING BAR mm	25x2	25x3	30x3
CROSS BAR mm	◆ 4	◆ 4	◆ 4
SELF-COLOURED WEIGHT kg/m ²	22,29	32,30	36,75
GALVANIZED WEIGHT kg/m ²	23,86	33,95	38,62
GRATINGS DIMENSIONS mm	6100x997	6100x998	6100x998



Mesh mm 22x76

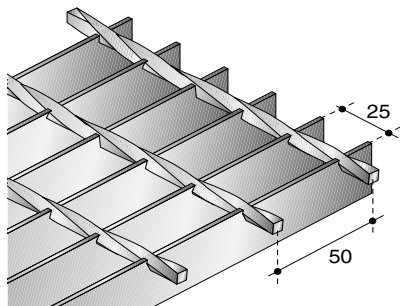
BEARING BAR mm	25x2	25x3	30x2	30x3	30x4
CROSS BAR mm	◆ 4	◆ 4	◆ 4	◆ 4	◆ 6
SELF-COLOURED WEIGHT kg/m ²	20,20	29,73	23,83	34,67	47,30
GALVANIZED WEIGHT kg/m ²	21,65	31,23	25,52	36,40	49,14
GRATINGS DIMENSIONS mm	6100x997	6100x998	6100x997	6100x998	6100x994
	40x3	40x4	50x4	60x4	70x4
	◆ 5	◆ 6	◆ 6	◆ 6	◆ 6
	46,21	61,83	76,36	90,90	105,43
	48,46	64,16	79,18	94,20	109,22
	6100x998	6100x994	6100x994	6100x994	6100x994
	BEARING BAR mm			30x3	
	CROSS BAR mm			◆ 5	
	SELF-COLOURED WEIGHT kg/m ²			34,70	
	GALVANIZED WEIGHT kg/m ²			36,50	
	GRATINGS DIMENSIONS mm			6100x998	

SPECIAL PRODUCTS
SUPERANTI-SLIP



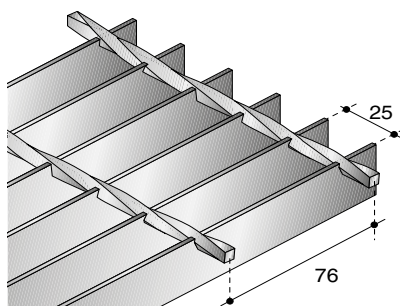
Mesh mm 25x25

BEARING BAR mm	20x2	25x2	30x3
CROSS BAR mm	● 5	● 5	● 5
SELF-COLOURED WEIGHT kg/m ²	16,79	20,01	35,05
GALVANIZED WEIGHT kg/m ²	18,01	21,44	36,81
GRATINGS DIMENSIONS mm	6100x998	6100x998	6100x998



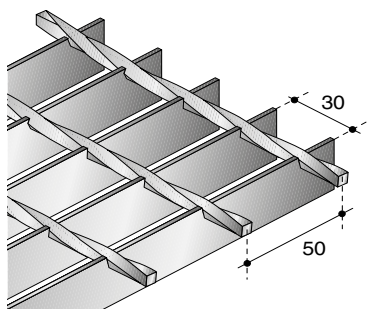
BEARING BAR mm	20x3		
CROSS BAR mm	◆ 4		
SELF-COLOURED WEIGHT kg/m ²	27,20		
GALVANIZED WEIGHT kg/m ²	28,60		
GRATINGS DIMENSIONS mm	6100x998		

Mesh mm 25x50



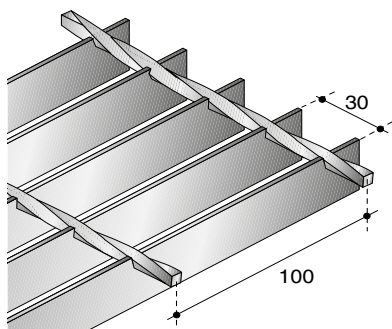
BEARING BAR mm	20x2	25x2	25x3	30x2	30x3
CROSS BAR mm	● 4	◆ 5	◆ 5	◆ 5	◆ 5
SELF-COLOURED WEIGHT kg/m ²	14,9	17,35	26,15	20,57	30,97
GALVANIZED WEIGHT kg/m ²	15,64	18,61	27,49	22,04	32,52
GRATINGS DIMENSIONS mm	6100x998	6100x998	6100x998	6100x998	6100x998
	40x2	40x3	50x4	50x3	60x4
	◆ 5	◆ 5	◆ 6	◆ 5	◆ 6
	30,77	41,08	67,82	49,03	80,64
	32,31	43,08	70,33	51,48	83,58
	6100x998	6100x998	6100x997	6100x997	6100x997
				40x3	
				◆ 5	
				39,40	
				41,40	
				6100x1003	

Mesh mm 25x76



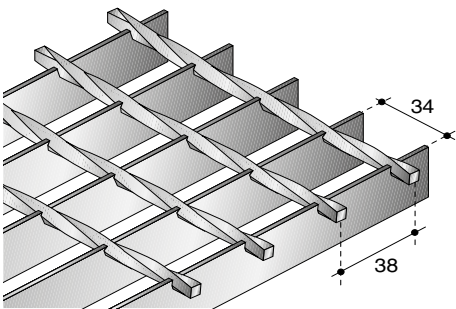
BEARING BAR mm	25x3	25x5	30x3	40x3
CROSS BAR mm	4,3	◆ 4,7	◆ 4,3	◆ 4,3
SELF-COLOURED WEIGHT kg/m ²	23,19	35,6	27,20	35,22
GALVANIZED WEIGHT kg/m ²	24,39	37,74	28,58	36,96
GRATINGS DIMENSIONS mm	6100x998	6100x997	6100x998	6100x998
	40x4	50x3		
	◆ 4,7	◆ 4,7		
	48,52	40,5		
	50,37	42,52		
	6100x1000	6100x1000		
			30x4	
			◆ 6	
			35,90	
			37,39	
			6100x1000	

Mesh mm 30x50



BEARING BAR mm	25x3	25x5	30x3	30x5
CROSS BAR mm	◆ 4,3	◆ 4,7	◆ 4,3	◆ 4,7
SELF-COLOURED WEIGHT kg/m ²	21,62	36,31	25,63	43,02
GALVANIZED WEIGHT kg/m ²	22,73	37,52	26,92	44,41
GRATINGS DIMENSIONS mm	6100x998	6100x998	6100x998	6100x998
	32x5	40x4	50x4	
	◆ 6	◆ 6	◆ 6	
	43	45,74	56,48	
	45,15	47,46	58,57	
	6100x998	6100x1000	6100x1000	
BEARING BAR mm	25x5	30x3	30x5	32x5
CROSS BAR mm	◆ 5,7	◆ 4,7	◆ 5,7	5,7
SELF-COLOURED WEIGHT kg/m ²	33,96	24,71	40,67	43
GALVANIZED WEIGHT kg/m ²	35,18	26,01	42,06	45,15
GRATINGS DIMENSIONS mm	6100x998	6100x998	6100x998	6100x998

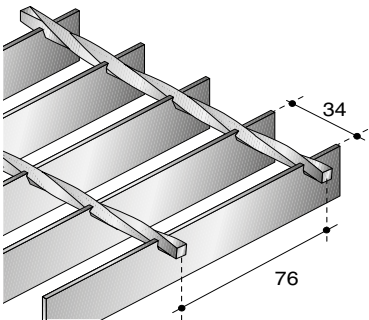
Mesh mm 30x100



Mesh mm 34×38

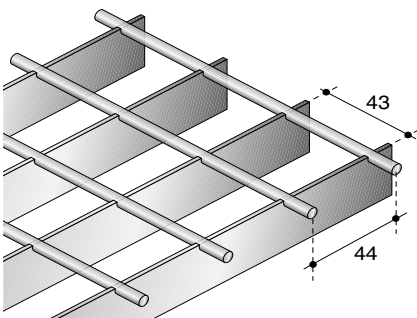
BEARING BAR mm	25×2	25×3	30×2	30×3	
CROSS BAR mm	◆ 4,3	◆ 4,3	◆ 4,3	◆ 4,3	
SELF-COLOURED WEIGHT kg/m ²	15,99	21,88	18,35	25,42	
GALVANIZED WEIGHT kg/m ²	17,10	23,02	19,62	26,72	
GRATINGS DIMENSIONS mm	6100×997	6100×998	6100×997	6100×998	
	40×3	40×4	60×4		
	◆ 4,3	◆ 4,7	◆ 5		
	32,50	43,21	69,7		
	34,12	44,90	73,18		
	6100×998	6100×998	6100×998		
BEARING BAR mm		30×3			
CROSS BAR mm		◆ 4,7			
SELF-COLOURED WEIGHT kg/m ²		24,18			
GALVANIZED WEIGHT kg/m ²		25,48			
GRATINGS DIMENSIONS mm		6100×998			

SPECIAL PRODUCTS
SUPERANTI-SLIP



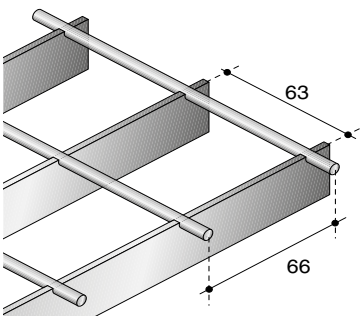
Mesh mm 34×76

BEARING BAR mm	25×2	25×3	30×2	30×3	30×5
CROSS BAR mm	◆ 4,3	◆ 4,3	◆ 4,3	◆ 4,3	◆ 4,7
SELF-COLOURED WEIGHT kg/m ²	13,90	19,79	16,26	23,33	36,9
GALVANIZED WEIGHT kg/m ²	14,89	20,81	17,41	24,51	38,74
GRATINGS DIMENSIONS mm	6100×997	6100×998	6100×997	6100×998	6100×998
	40×2	40×3	40×4	50×4	
	◆ 4,3	◆ 4,3	◆ 4,7	◆ 6	
	20,8	30,41	40,64	51,28	
	21,84	31,91	42,19	53,19	
	6100×997	6100×998	6100×998	6100×998	
	60×4	70×4			
	◆ 6	◆ 6			
	60,80	70,31			
	63,02	72,86			
	6100×998	6100×998			



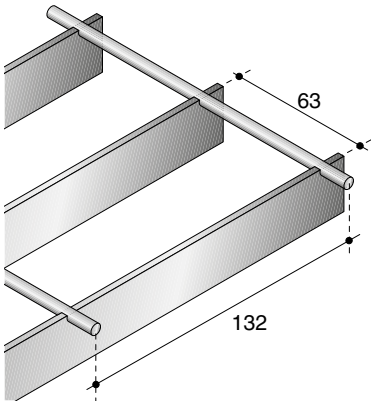
Mesh mm 43×44

BEARING BAR mm	25×2	25×3		
CROSS BAR mm	● 4,5	● 4,5		
SELF-COLOURED WEIGHT kg/m ²	12,83	17,48		
GALVANIZED WEIGHT kg/m ²	13,70	18,35		
GRATINGS DIMENSIONS mm	6100×1894	6100×1893		



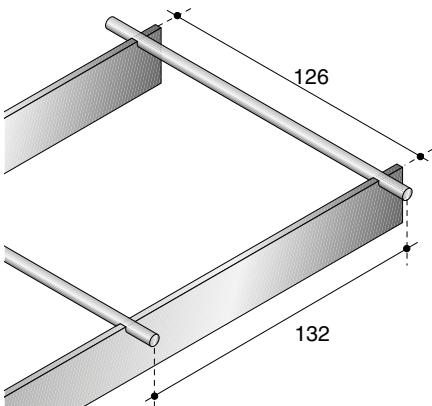
Mesh mm 63×66

BEARING BAR mm	25×2	25×3	25×3	
CROSS BAR mm	● 4,5	● 4,5	● 4,5	
SELF-COLOURED WEIGHT kg/m ²	8,77	12,05	11,98	
GALVANIZED WEIGHT kg/m ²	9,36	12,67	12,59	
GRATINGS DIMENSIONS mm	6100×1892	6100×1515	6100×1893	



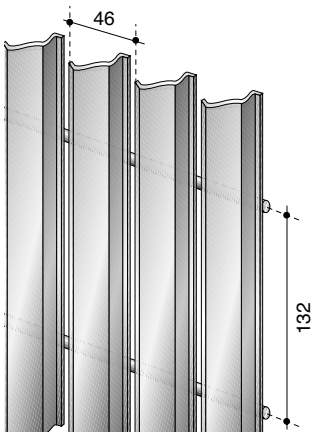
BEARING BAR mm	25x2	25x2	25x3	25x3
CROSS BAR mm	● 5	● 5	● 5	● 5
SELF-COLOURED WEIGHT kg/m ²	7,65	7,60	10,88	10,81
GALVANIZED WEIGHT kg/m ²	8,18	8,13	11,44	11,36
GRATINGS DIMENSIONS mm	6100x1514	6100x1892	6100x1515	6100x1893
	30x4			
	● 6			
	17,10			
	17,77			
	6100x1894			

Mesh mm 63x132



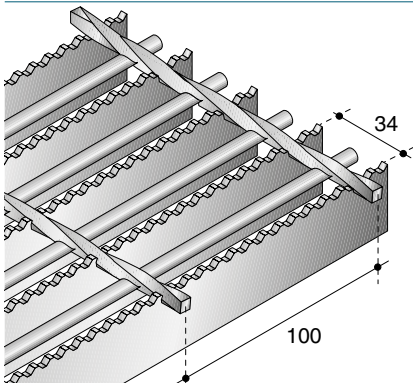
BEARING BAR mm	25x3	25x3	
CROSS BAR mm	● 5	● 5	
SELF-COLOURED WEIGHT kg/m ²	6,22	6,14	
GALVANIZED WEIGHT kg/m ²	6,54	6,46	
GRATINGS DIMENSIONS mm	6100x1515	6100x1893	

Mesh mm 126x132



BEARING BAR mm	47x1,5		
CROSS BAR mm	● 4		
SELF-COLOURED WEIGHT kg/m ²	14,45		
GALVANIZED WEIGHT kg/m ²	15,75		
GRATINGS DIMENSIONS mm	6100x1584		

Mesh mm 46x132 wing



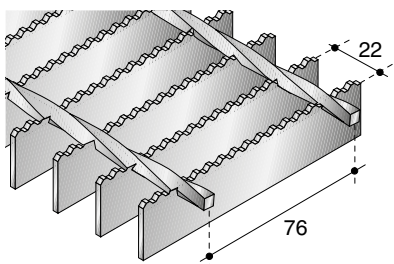
BEARING BAR mm	30x3		
CROSS BAR mm	◆ 6		
SELF-COLOURED WEIGHT kg/m ²	29,27		
GALVANIZED WEIGHT kg/m ²	30,67		
GRATINGS DIMENSIONS mm	6100x998		

SPECIAL PRODUCTS
SUPERANTI • SLIP

Mesh mm 34x100 off-shore

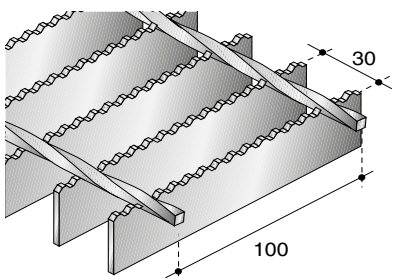
Electro-forgewelded grating

> Gratings available in stock made of AISI 304 and AISI 316



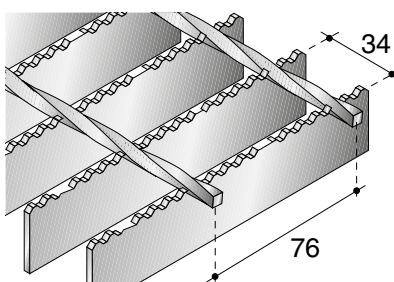
Mesh mm 22×76 SAS

BEARING BAR mm	30×3
CROSS BAR mm	◆ 5
SELF-COLOURED WEIGHT kg/m ²	36,14
GRATINGS DIMENSIONS mm	6100×998



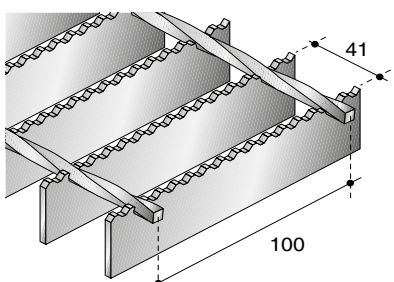
Mesh mm 30×100 SAS

BEARING BAR mm	30×3
CROSS BAR mm	◆ 5
SELF-COLOURED WEIGHT kg/m ²	26,12
GRATINGS DIMENSIONS mm	6100×996



Mesh mm 34×76 SAS

BEARING BAR mm	30×3
CROSS BAR mm	◆ 5
SELF-COLOURED WEIGHT kg/m ²	22,30
GRATINGS DIMENSIONS mm	6100×998



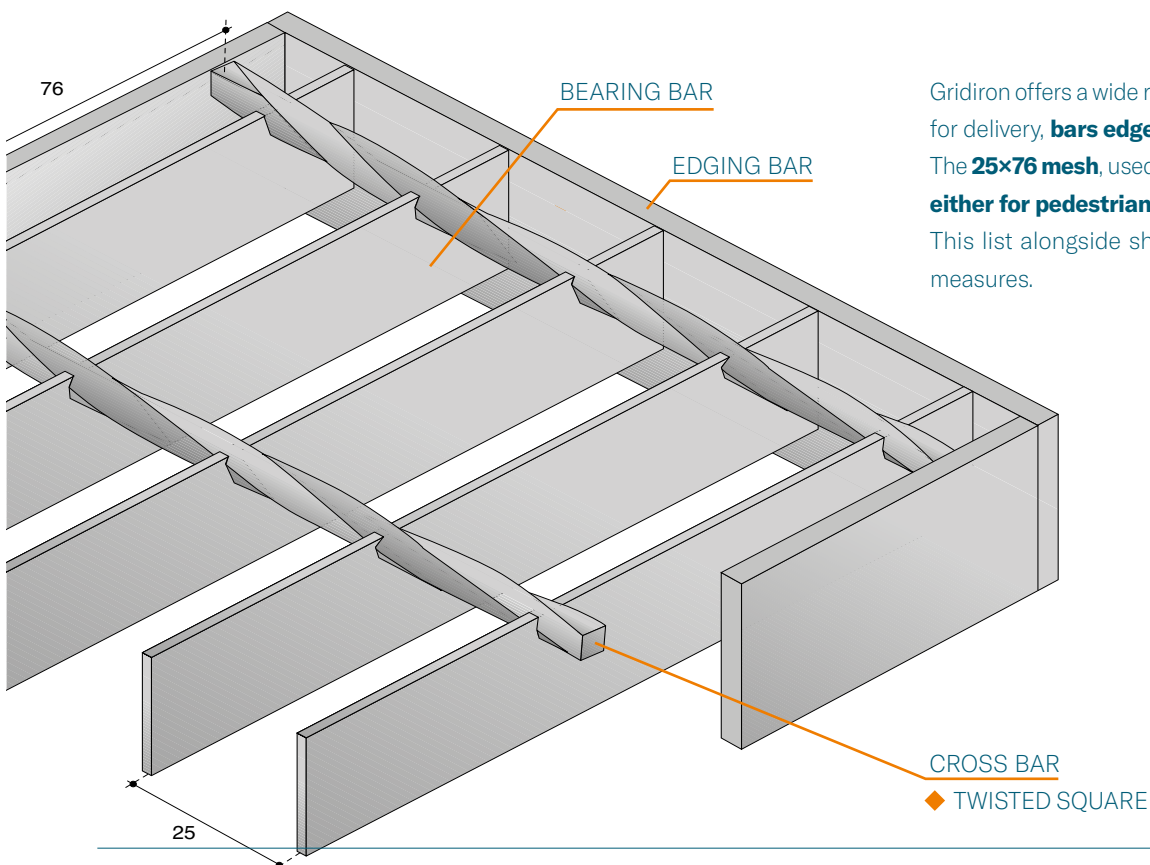
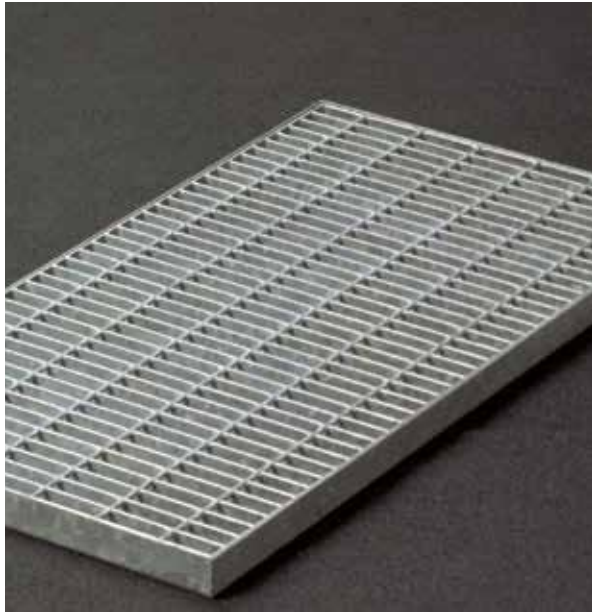
Mesh mm 41×100 SAS

BEARING BAR mm	32×5	40×5
CROSS BAR mm	◆ 5	◆ 5
SELF-COLOURED WEIGHT kg/m ²	32,30	41
GRATINGS DIMENSIONS mm	6100×998	6100×998



Electro-forgewelded grating

> Standard galvanized panels without frame



Gridiron offers a wide range of grating panels, ready for delivery, **bars edged and hot dip galvanized.** The **25×76 mesh**, used for these panels is **suitable either for pedestrian or heavy vehicle traffic.** This list alongside shows all available standard measures.



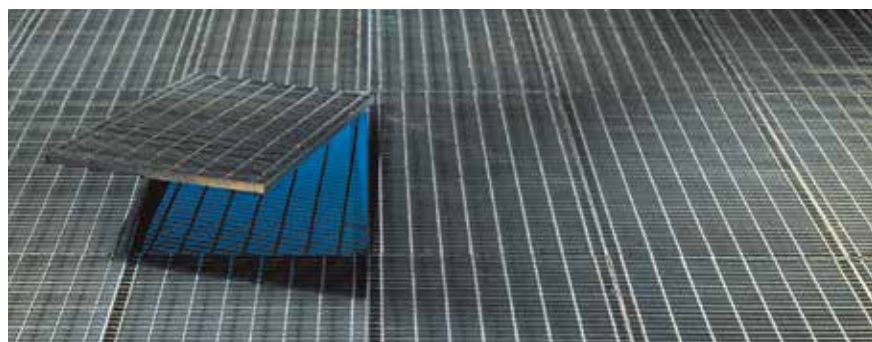
THE PANELS ARE AVAILABLE WITH MESH mm 25x76

BEARING BAR mm	CROSS BAR mm	PANEL DIMENSIONS	CODE
25x2	◆ 4	150x1000	3015
25x2	◆ 4	200x1000	3009
25x2	◆ 4	250x1000	3010
25x2	◆ 4	300x1000	3001
25x2	◆ 4	400x1000	3002
25x2	◆ 4	500x1000	3003
25x2	◆ 4	600x1000	3004
25x2	◆ 4	700x1000	3005
25x2	◆ 4	800x1000	3006
25x2	◆ 4	900x1000	3007
25x2	◆ 4	1000x1000	3008
30x3	◆ 4,5	200x1000	3018
30x3	◆ 4,5	250x1000	3016
30x3	◆ 4,5	300x1000	3011
30x3	◆ 4,5	350x1000	3012
30x3	◆ 4,5	400x1000	3013
30x3	◆ 4,5	500x1000	3014
40x3	◆ 5	200x1000	3019
40x3	◆ 5	250x1000	3020
40x3	◆ 5	300x1000	3021
40x3	◆ 5	350x1000	3022
40x3	◆ 5	400x1000	3023
40x3	◆ 5	500x1000	3017

Angle pieces

To complete the grating panels, angle pieces are available in stock in lengths of 2000 mm and 6000 mm, hot dip galvanized, with tangs for anchoring in concrete.

They are the perfect solution for the creation of grating channels to be cast on-site.



Angle pieces

TYPE	30x30x3	30x30x3	35x35x4	35x35x4	45x45x5	45x45x5
LENGTH mm	2000	6000	2000	6000	2000	6000
CODE	3901	3905	3902	3906	3903	3907

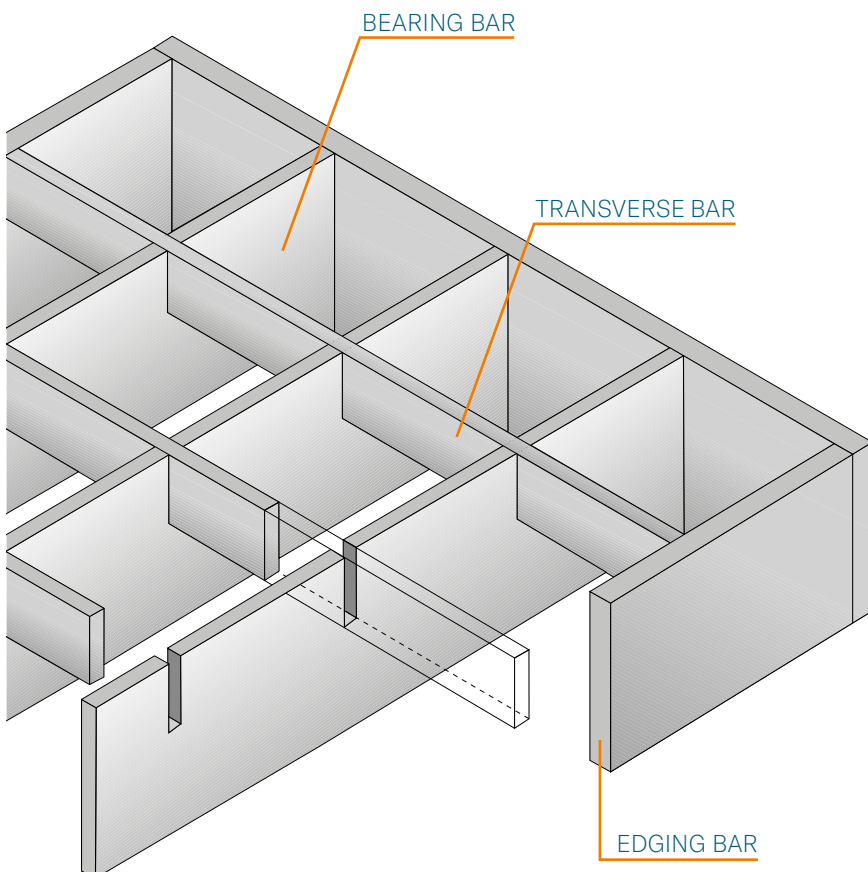
2. Pressed grating custom sizes with flat and C-shaped edge

- Edged and galvanized



Pressed gratings

> Custom sizes with flat and C-shaped edge



The already pleasant appearance of the **pressed grating**, composed of the assembly of bearing bars in the punches of which transverse bars are pressed in, is further enhanced by the special **flat or C-shaped edging**. For this reason, Gridiron production uses standard grating for basement window wells and channels.

This type of grating, especially in the version with the narrow "anti-heel" mesh, is especially suited for use in residential, commercial and recreational areas with private or public pedestrian access. Therefore, this kind of product is the perfect solution in any setting that requires a refined grating.

SPECIFICATION ITEMS: Pressed grating with Gridiron type flat edge produced by pressing, with no added material. Formed of bearing bars of mm... x mm... of thickness and transverse bars of mm... x mm...

Mesh of mm... x mm... calculated in axis (bearing bars mm...-transverse bars mm...). Edging bar of mm... x mm... All edged and hot dip galvanized in panels of mm... x mm...

The first measurement refers to the dimension of the bearing bars.

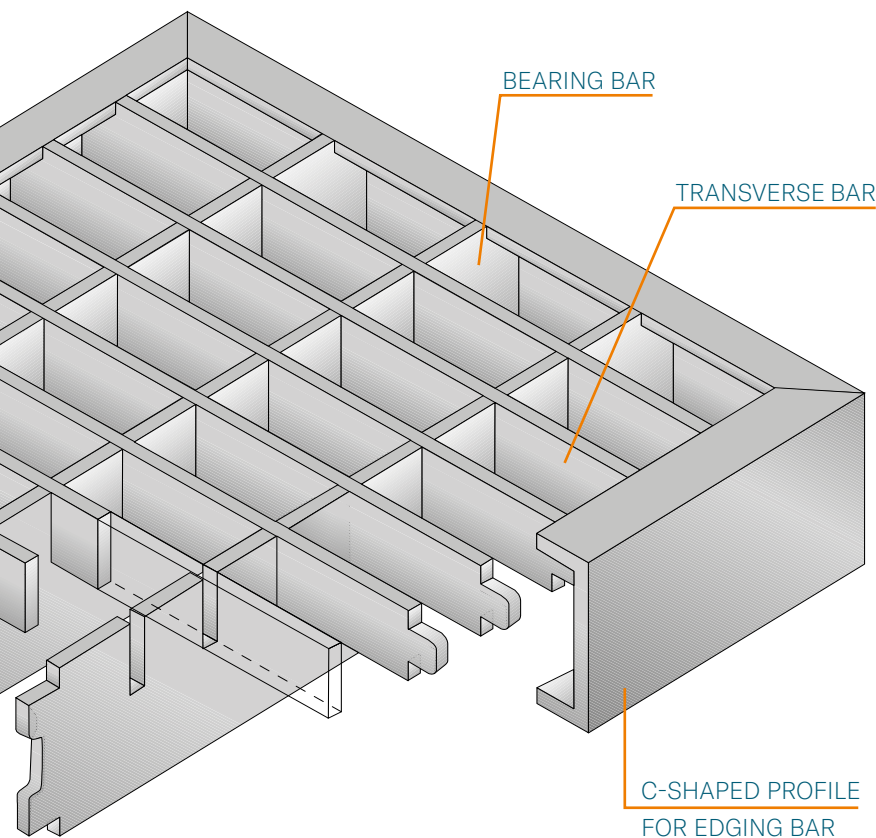
Distributed capacity: kg/m²...

Concentrated capacity on footprint of mm... x mm...: kg...

Maximum allowed camber: mm...

Weight of grating: kg/m²...

As necessary: add item complete with frame.



SPECIFICATION ITEMS: Pressed grating with Gridiron type Cshaped edge produced by pressing, with no added material. Formed of bearing bars of mm... x mm... of thickness and transverse bars of mm... x mm... Mesh of mm... x mm... calculated in axis (bearing bars mm...- transverse bars mm...).

Edging with C-shaped profile "C". All edged and hot dip galvanized in panels of mm... x mm...

The first measurement refers to the dimension of the bearing bars.

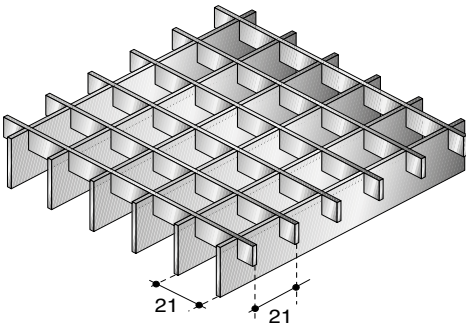
Distributed capacity: kg/m²...

Concentrated capacity on footprint of mm.. x mm.: kg...

Maximum allowed camber: mm...

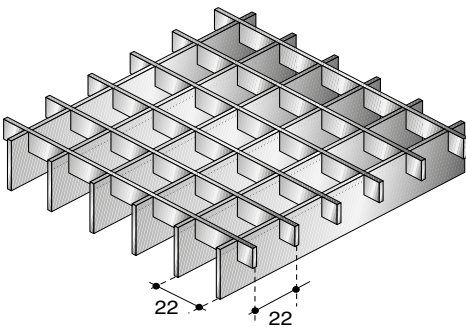
Weight of grating: kg/m²...

As necessary: add item complete with frame.



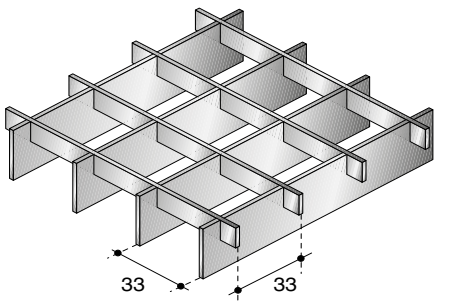
Mesh mm 21×21

BEARING BAR mm	25×2	30×2	40×2		
TRANSVERSE BAR mm	10×2	10×2	10×2		
EDGING BAR mm	28,4	32,8	41,5		
GALVANIZED WEIGHT kg/m²	30,5	36,2	44,4		



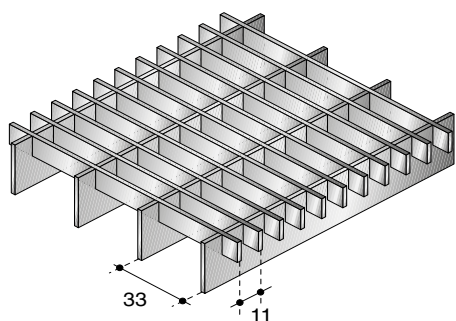
Mesh mm 22×22

BEARING BAR mm	25×2	25×3	25×4		
TRANSVERSE BAR mm	10×2	10×2	10×3		
EDGING BAR mm	25×3	25×3	25×4		
GALVANIZED WEIGHT kg/m²	28,00	36,60	49,70		
	30×2	30×3	30×4		
	10×2	10×2	10×3		
	30×3	30×3	30×4		
	32,10	42,50	57,50		
	40×2	40×3	40×4	50×3	50×4
	10×2	10×2	10×3	10×2	10×3
	40×3	40×3	40×4	50×3	50×4
	40,40	54,20	72,90	66,00	88,40
	60×3	60×4	70×3	70×4	
	10×2	10×3	15×2	15×3	
	60×3	60×4	70×3	70×4	
	77,70	103,90	92,90	124,70	
	80×3	80×4	90×4	100×4	150×4
	15×2	15×3	15×3	15×3	15×3
	80×3	80×4	90×4	100×4	150×4
	104,70	140,20	155,70	171,10	248,50



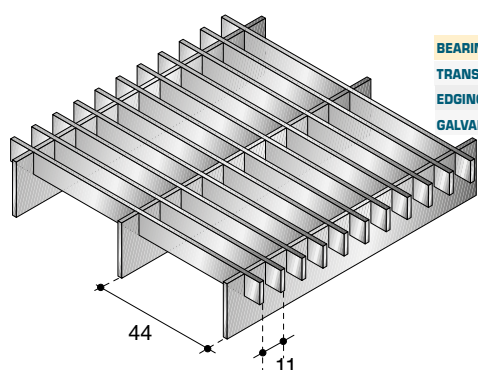
Mesh mm 33×33

BEARING BAR mm	25×2	25×3	25×4	25×5		
TRANSVERSE BAR mm	10×2	10×2	10×3	10×4		
EDGING BAR mm	25×3	25×3	25×4	25×5		
GALVANIZED WEIGHT kg/m²	19,30	25,00	33,90	42,60		
	30×2	30×3	30×4	30×5		
	10×2	10×2	10×3	10×4		
	30×3	30×3	30×4	30×5		
	22,20	29,00	39,20	49,20		
	40×2	40×3	40×4	40×5		
	10×2	10×2	10×3	10×4		
	40×3	40×3	40×4	40×5		
	28,00	37,10	49,90	62,40		
	50×3	50×4	50×5	60×3	60×4	60×5
	10×2	10×3	10×4	10×2	10×3	10×4
	50×3	50×4	50×5	60×3	60×4	60×5
	45,20	60,50	75,60	53,20	71,10	88,70
	70×3	70×4	70×5	80×3	80×4	80×5
	15×2	15×3	20×4	15×2	15×3	20×4
	70×3	70×4	70×5	80×3	80×4	80×5
	63,60	85,30	111,30	71,70	95,90	124,50
	90×4	90×5	100×4	100×5	120×4	120×5
	15×3	20×4	15×3	20×4	15×3	20×4
	90×4	90×5	100×4	100×5	120×4	120×5
	106,60	137,60	117,20	150,80	138,50	177,20
	150×4	150×5				
	15×3	20×4				
	150×4	150×5				
	170,40	216,80				



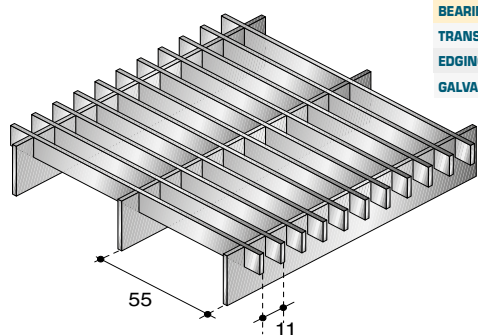
Mesh mm 33x11

BEARING BAR mm	25x2	25x3	30x2	30x3	
TRANSVERSE BAR mm	10x2	10x2	10x2	10x2	
EDGING BAR mm	25x3	25x3	30x3	30x3	
GALVANIZED WEIGHT kg/m ²	29,10	34,70	32,00	38,80	
	40x2	40x3			
	10x2	10x2			
	40x3	40x3			
	37,80	46,90			
	50x3	60x3	70x3	80x3	
	10x2	10x2	10x2	10x2	
	50x3	60x3	70x3	80x3	
	54,90	63,00	71,10	79,20	



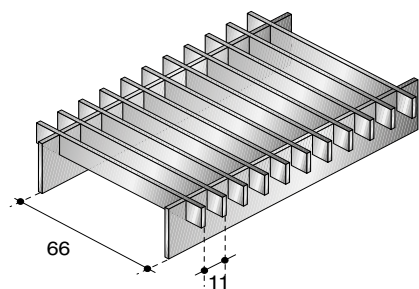
Mesh mm 44x11

BEARING BAR mm	25x2	25x3	30x2	30x3		
TRANSVERSE BAR mm	10x2	10x2	10x2	10x2		
EDGING BAR mm	25x3	25x3	30x3	30x3		
GALVANIZED WEIGHT kg/m ²	26,10	30,40	28,40	33,60		
	40x2	40x3	50x3	60x3	70x3	80x3
	10x2	10x2	10x2	10x2	10x2	10x2
	40x3	40x3	50x3	60x3	70x3	80x3
	33,10	40,00	46,40	52,70	59,10	65,50



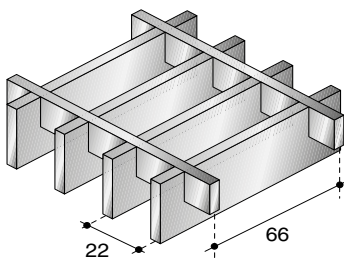
Mesh mm 55x11

BEARING BAR mm	25x2	25x3	25x4	30x2	30x3	30x4
TRANSVERSE BAR mm	10x2	10x2	10x3	10x2	10x2	10x3
EDGING BAR mm	25x3	25x3	25x4	30x3	30x3	30x4
GALVANIZED WEIGHT kg/m ²	24,00	27,40	39,30	25,90	29,90	42,70
	40x2	40x3	40x4	50x3	50x4	
	10x2	10x2	10x3	10x2	10x3	
	40x3	40x3	40x4	50x3	50x4	
	29,80	35,10	49,40	40,20	56,20	
	60x3	60x4	70x3	70x4	80x3	80x4
	10x2	10x3	10x2	15x3	10x2	15x3
	60x3	60x4	70x3	70x4	80x3	80x4
	45,40	63,00	50,50	80,70	55,70	87,50
	90x4	100x4	120x4	150x4		
	15x3	15x3	15x3	15x3		
	90x4	100x4	120x4	150x4		
	94,30	101,10	114,60	134,90		



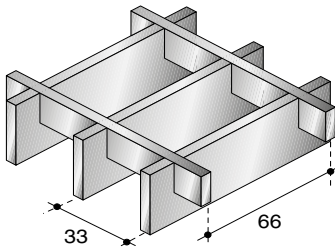
Mesh mm 66x11

BEARING BAR mm	25x2	25x3	25x4	30x2	30x3	30x4
TRANSVERSE BAR mm	10x2	10x2	10x3	10x2	10x2	10x3
EDGING BAR mm	25x3	25x3	25x4	30x3	30x3	30x4
GALVANIZED WEIGHT kg/m ²	22,80	25,50	36,80	24,40	27,70	39,80
	40x2	40x3	40x4	50x3	50x4	
	10x2	10x2	10x3	10x2	10x3	
	40x3	40x3	40x4	50x3	50x4	
	27,80	32,10	45,60	36,50	51,40	
	60x3	60x4	70x3	70x4	80x3	80x4
	10x2	10x3	10x2	15x3	10x2	15x3
	60x3	60x4	70x3	70x4	80x3	80x4
	41,00	57,20	45,40	74,00	49,80	79,80
	90x4	100x4	120x4	150x4		
	15x3	15x3	15x3	15x3		
	90x4	100x4	120x4	150x4		
	85,60	91,40	103,00	120,40		



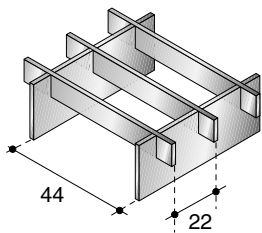
Mesh mm 22×66

BEARING BAR mm	25×2	25×3	25×4	25×5	
TRANSVERSE BAR mm	10×2	10×2	10×3	10×4	
EDGING BAR mm	25×3	25×3	25×4	25×5	
GALVANIZED WEIGHT kg/m ²	23,10	31,80	42,30	52,70	
	30×2	30×3	30×4	30×5	
	10×2	10×2	10×3	10×4	
	30×3	30×3	30×4	30×5	
	27,30	37,60	50,10	62,80	
	40×2	40×3	40×4	40×5	
	10×2	10×2	10×3	10×4	
	40×3	40×3	40×4	40×5	
	35,60	49,40	65,50	81,50	
	50×3	50×4	50×5		
	10×2	10×3	10×4		
	50×3	50×4	50×5		
	61,10	81,00	100,70		
	60×3	60×4	60×5		
	10×2	10×3	10×4		
	60×3	60×4	60×5		
	72,90	96,50	119,80		
	70×3	70×4	70×5		
	15×2	15×3	20×4		
	70×3	70×4	70×5		
	85,70	113,60	143,50		
	80×3	80×4	80×5	90×4	90×5
	15×2	15×3	20×4	15×3	20×4
	80×3	80×4	80×5	90×4	90×5
	97,50	129,10	162,70	144,60	181,90
	100×4	100×5	150×4	150×5	
	15×3	20×4	15×4	20×4	
	100×4	100×5	150×4	150×5	
	160,00	201,00	237,40	296,90	



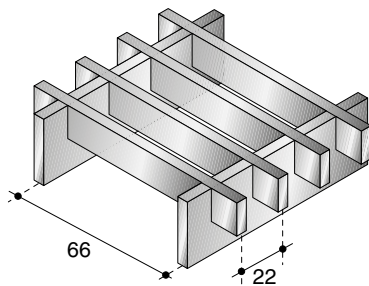
Mesh mm 33×66

BEARING BAR mm	25×2	25×3	25×4	25×5		
TRANSVERSE BAR mm	10×2	10×2	10×3	10×4		
EDGING BAR mm	25×3	25×3	25×4	25×5		
GALVANIZED WEIGHT kg/m ²	16,90	22,50	30,20	37,70		
	30×2	30×3	30×4	30×5		
	10×2	10×2	10×3	10×4		
	30×3	30×3	30×4	30×5		
	19,80	26,60	35,50	44,30		
	40×2	40×3	40×4	40×5		
	10×2	10×2	10×3	10×4		
	40×3	40×3	40×4	40×5		
	25,60	34,70	46,10	57,50		
	50×3	50×4	50×5	60×3	60×4	60×5
	10×2	10×3	10×4	10×2	10×3	10×4
	50×3	50×4	50×5	60×3	60×4	60×5
	42,70	56,80	70,70	50,80	67,40	83,90
	70×3	70×4	70×5	80×3	80×4	80×5
	15×2	15×3	20×4	15×2	15×3	20×4
	70×3	70×4	70×5	80×3	80×4	80×5
	60,00	79,80	101,50	68,10	90,40	114,70
	90×4	90×5	100×4	100×5	120×4	120×5
	15×3	20×4	15×3	20×4	15×3	20×4
	90×4	90×5	100×4	100×5	120×4	120×5
	101,00	127,90	111,70	141,10	132,90	167,50
	150×4	150×5				
	15×3	20×4				
	150×4	150×5				
	164,90	207,00				



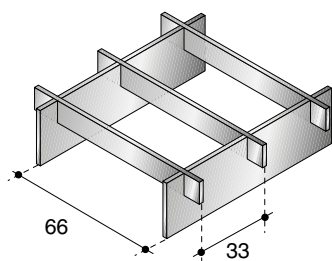
Mesh mm 44×22

BEARING BAR mm	25×2	25×3	30×2	30×3		
TRANSVERSE BAR mm	10×2	10×2	10×2	10×2		
EDGING BAR mm	25×3	25×3	30×3	30×3		
GALVANIZED WEIGHT kg/m ²	18,70	23,10	21,10	26,20		
	40×2	40×3	50×3	60×3	70×3	80×3
	10×2	10×2	10×2	10×2	15×2	15×2
	40×3	40×3	50×3	60×3	70×3	80×3
	25,70	32,60	39,00	45,30	55,20	61,60



Mesh mm 66×22

BEARING BAR mm	25×2	25×3	25×4	30×2	30×3	30×4
TRANSVERSE BAR mm	10×2	10×2	10×3	10×2	10×2	10×3
EDGING BAR mm	25×3	25×3	25×4	30×3	30×3	30×4
GALVANIZED WEIGHT kg/m ²	15,40	18,10	25,50	17,10	20,30	28,40
	40×2	40×3	40×4	50×3	50×4	
	10×2	10×2	10×3	10×2	10×3	
	40×3	40×3	40×4	50×3	50×4	
	20,40	24,80	34,20	29,20	40,00	
	60×3	60×4	70×3	70×4	80×3	80×4
	10×2	10×3	15×2	15×3	15×2	15×3
	60×3	60×4	70×3	70×4	80×3	80×4
	33,60	45,80	41,50	57,00	45,90	62,80
	90×4	100×4	120×4	150×4		
	15×3	15×3	15×3	15×3		
	90×4	100×4	120×4	150×4		
	68,60	74,40	86,00	103,40		



Mesh mm 66×33

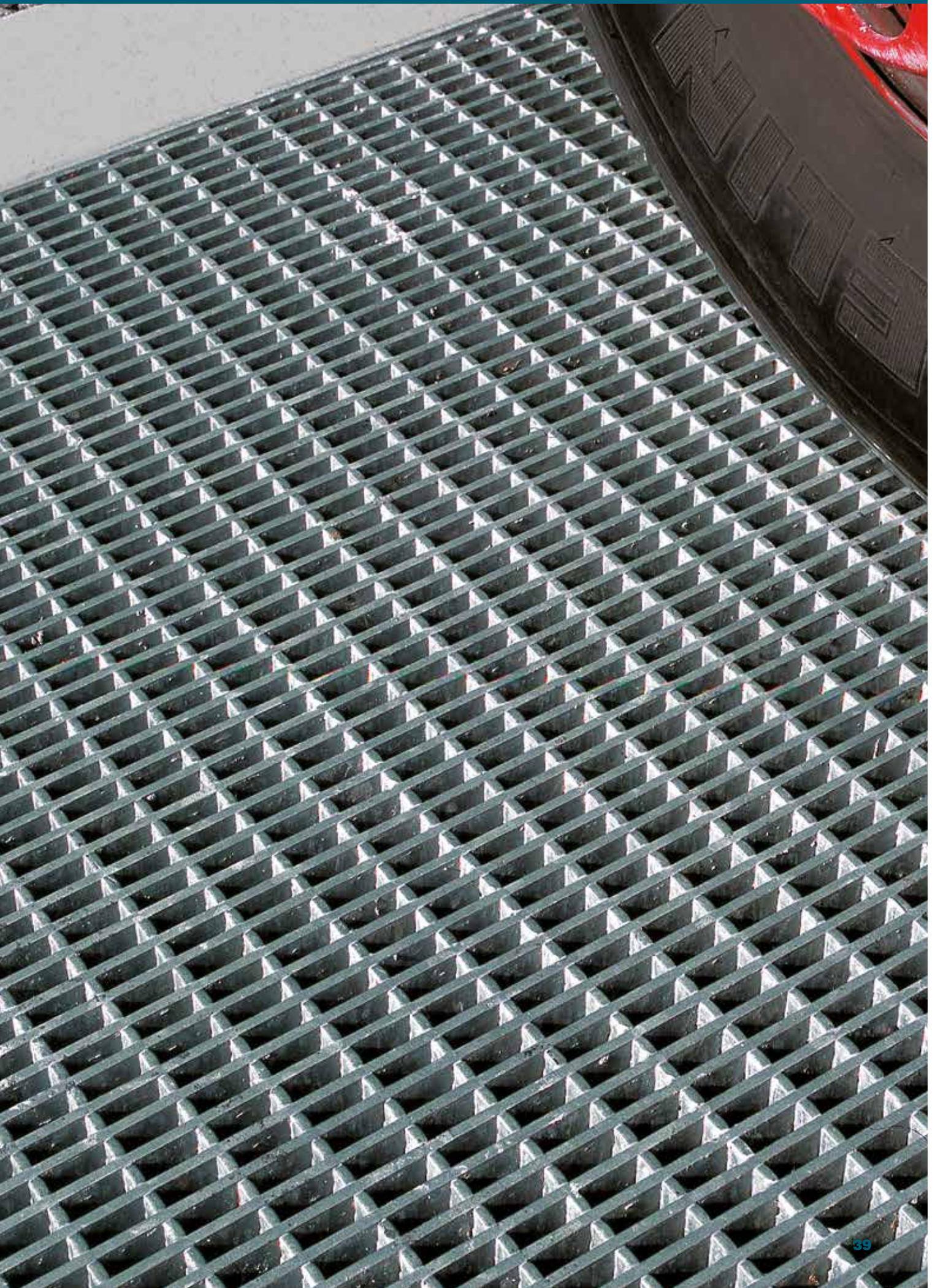
BEARING BAR mm	25×2	25×3	25×4	30×2	30×3	30×4
TRANSVERSE BAR mm	10×2	10×2	10×3	10×2	10×2	10×3
EDGING BAR mm	25×3	25×3	25×4	30×3	30×3	30×4
GALVANIZED WEIGHT kg/m ²	13,00	15,70	21,80	14,60	17,90	24,70
	40×2	40×3	40×4	50×3	50×4	
	10×2	10×2	10×3	10×2	10×3	
	40×3	40×3	40×4	50×3	50×4	
	18,00	22,30	30,50	26,80	36,30	
	60×3	60×4	70×3	70×4	80×3	80×4
	10×2	10×3	15×2	15×3	15×2	15×3
	60×3	60×4	70×3	70×4	80×3	80×4
	31,20	42,10	37,90	51,40	42,30	57,20
	90×4	100×4	120×4	150×4		
	15×3	15×3	15×3	15×3		
	90×4	100×4	120×4	150×4		
	63,00	68,90	80,50	97,90		

3. Cross-pressed gratings custom sizes with different sized flat bars

- Edged and galvanized

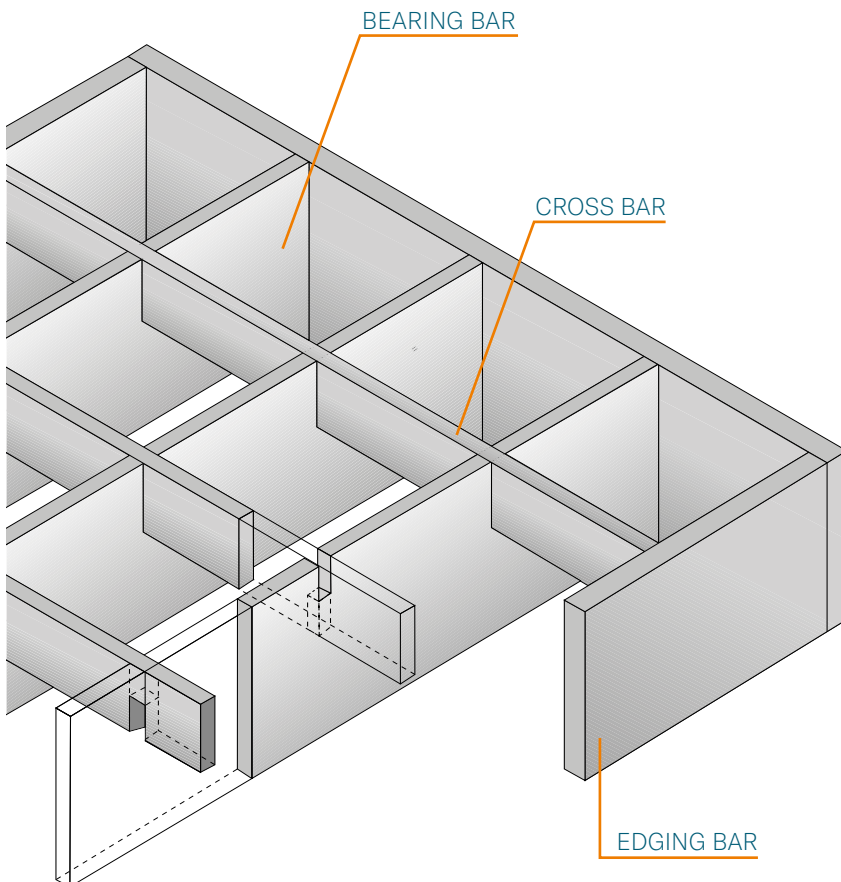
40

3. Cross-pressed gratings custom sizes with different sized flat bars



Pressed gratings

> Cross custom sizes with different sized flat bars

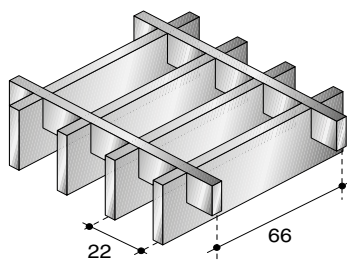


The **cross-pressed grating with different sized flat bars**, thanks to its structure, resolves special situations that require **sturdiness and non-deformability**. The bearing bars and the cross bars are both punched and inserted into one another at the punches. The resulting panel is especially compact since each cross of the bars holds the grating in place. Even situations of particular stress, such as a turning point of a static forklift or a heavy vehicle on the grating, which are potentially harmful for a pressed grating, are not able to deform the structure. The cross-pressed grating with different sized flat bars is **available with various meshes**, each of which can be combined with various types of bar. It is always provided **in custom size finished panels, edged and hot dip galvanized**, ready for installation.

The version in cross-pressed grating with different sized flat bars can be supplied with any mesh and section of special bar.

Also available in pickled and/or polished stainless steel, or in aluminium.

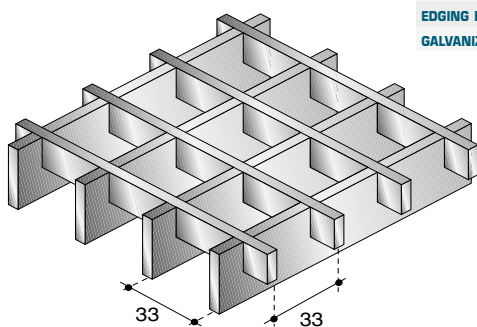
SPECIFICATION ITEMS: Gridiron type pressed crossed grating with different sized flat bars produced by pressing, with no added material. Formed of bearing bars of mm... x mm... of thickness and cross bars of mm... x mm... Mesh of mm... x mm... calculated in axis (bearing bars mm...- cross bars mm...). Edging bar of mm... x mm... All edged and hot dip galvanized in panels of mm... x mm... The first measurement refers to the dimension of the bearing bars.
Distributed capacity: kg/m²...
Concentrated capacity on footprint of mm... x mm...: kg...
Maximum allowed camber: mm...
Weight of grating: kg/m²...
As necessary: add item complete with frame.



Mesh mm 22×66

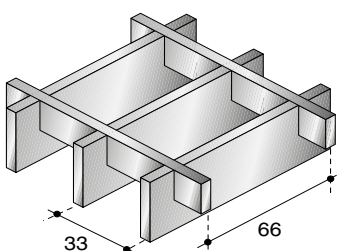
BEARING BAR mm	30×4	30×5	30×6	40×4	40×5	40×6
TRANSVERSE BAR mm	15×4	15×5	15×6	15×4	15×5	15×6
EDGING BAR mm	30×4	30×5	30×6	40×4	40×5	40×6
GALVANIZED WEIGHT kg/m ²	53,40	66,20	79,00	68,90	85,40	101,90
	50×4	50×5	50×6	60×4	60×5	60×6
	15×4	15×5	15×6	15×4	15×5	15×6
	50×4	50×5	50×6	60×4	60×5	60×6
	84,40	104,60	124,70	99,80	123,80	147,60
	70×4	70×5	70×6	80×4	80×5	80×6
	15×4	15×5	15×6	15×4	15×5	15×6
	70×4	70×5	70×6	80×4	80×5	80×6
	115,30	142,90	170,50	130,80	162,10	193,30
	90×4	90×5	90×6	100×4	100×5	100×6
	30×4	30×5	30×6	30×4	30×5	30×6
	90×4	90×5	90×6	100×4	100×5	100×6
	153,00	189,70	226,20	168,50	208,80	249,10
	120×4	120×5	120×6	150×5	150×6	
	30×4	30×5	30×6	30×5	30×6	
	120×4	120×5	120×6	150×5	150×6	
	199,40	247,20	294,80	304,70	363,40	





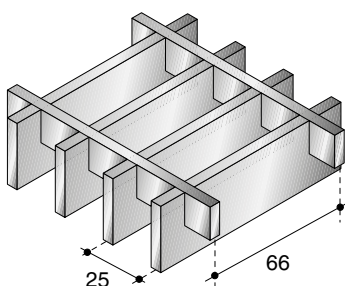
Mesh mm 33x33

BEARING BAR mm	30x4	30x5	30x6	40x4	40x5	40x6
TRANSVERSE BAR mm	15x4	15x5	15x6	15x4	15x5	15x6
EDGING BAR mm	30x4	30x5	30x6	40x4	40x5	40x6
GALVANIZED WEIGHT kg/m ²	46,20	57,30	68,30	56,80	70,50	84,10
	50x4	50x5	50x6	60x4	60x5	60x6
	15x4	15x5	15x6	15x4	15x5	15x6
	50x4	50x5	50x6	60x4	60x5	60x6
	67,50	83,60	99,80	78,10	96,80	115,50
	70x4	70x5	70x6	80x4	80x5	80x6
	15x4	15x5	15x6	15x4	15x5	15x6
	70x4	70x5	70x6	80x4	80x5	80x6
	88,70	110,00	131,20	99,40	123,20	147,00
	90x4	90x5	90x6	100x4	100x5	100x6
	30x4	30x5	30x6	30x4	30x5	30x6
	90x4	90x5	90x6	100x4	100x5	100x6
	124,00	153,80	183,50	134,60	167,00	199,20
	120x4	120x5	120x6	150x5	150x6	
	30x4	30x5	30x6	30x5	30x6	
	120x4	120x5	120x6	150x5	150x6	
	155,90	193,30	230,70	232,90	277,80	



Mesh mm 33x66

BEARING BAR mm	30x4	30x5	30x6	40x4	40x5	40x6
TRANSVERSE BAR mm	15x4	15x5	15x6	15x4	15x5	15x6
EDGING BAR mm	30x4	30x5	30x6	40x4	40x5	40x6
GALVANIZED WEIGHT kg/m ²	38,90	48,20	57,50	49,50	61,40	73,20
	50x4	50x5	50x6	60x4	60x5	60x6
	15x4	15x5	15x6	15x4	15x5	15x6
	50x4	50x5	50x6	60x4	60x5	60x6
	60,10	74,60	89,00	70,80	87,80	104,70
	70x4	70x5	70x6	80x4	80x5	80x6
	15x4	15x5	15x6	15x4	15x5	15x6
	70x4	70x5	70x6	80x4	80x5	80x6
	81,40	100,90	120,40	92,10	114,10	136,10
	90x4	90x5	90x6	100x4	100x5	100x6
	30x4	30x5	30x6	30x4	30x5	30x6
	90x4	90x5	90x6	100x4	100x5	100x6
	109,50	135,70	161,90	120,10	148,90	177,60
	120x4	120x5	120x6	150x5	150x6	
	30x4	30x5	30x6	30x5	30x6	
	120x4	120x5	120x6	150x5	150x6	
	141,40	175,30	209,10	214,80	256,20	



Mesh mm 25x66

BEARING BAR mm	30x4	30x5	30x6	40x4	40x5	40x6
TRANSVERSE BAR mm	15x4	15x5	15x6	15x4	15x5	15x6
EDGING BAR mm	30x4	30x5	30x6	40x4	40x5	40x6
GALVANIZED WEIGHT kg/m ²	48,60	60,20	71,80	62,40	77,40	92,30
	50x4	50x5	50x6	60x4	60x5	60x6
	15x4	15x5	15x6	15x4	15x5	15x6
	50x4	50x5	50x6	60x4	60x5	60x6
	76,30	94,60	112,80	90,10	111,80	133,30
	70x4	70x5	70x6	80x4	80x5	80x6
	15x4	15x5	15x6	15x4	15x5	15x6
	70x4	70x5	70x6	80x4	80x5	80x6
	104,00	128,90	153,80	117,90	146,10	174,30
	90x4	90x5	90x6	100x4	100x5	100x6
	30x4	30x5	30x6	30x4	30x5	30x6
	90x4	90x5	90x6	100x4	100x5	100x6
	138,50	171,70	204,80	152,30	188,90	225,30
	120x4	120x5	120x6	150x5	150x6	
	30x4	30x5	30x6	30x5	30x6	
	120x4	120x5	120x6	150x5	150x6	
	180,00	223,20	266,20	274,70	327,70	

4. Cross-pressed gratings custom sizes with same depth flat bars

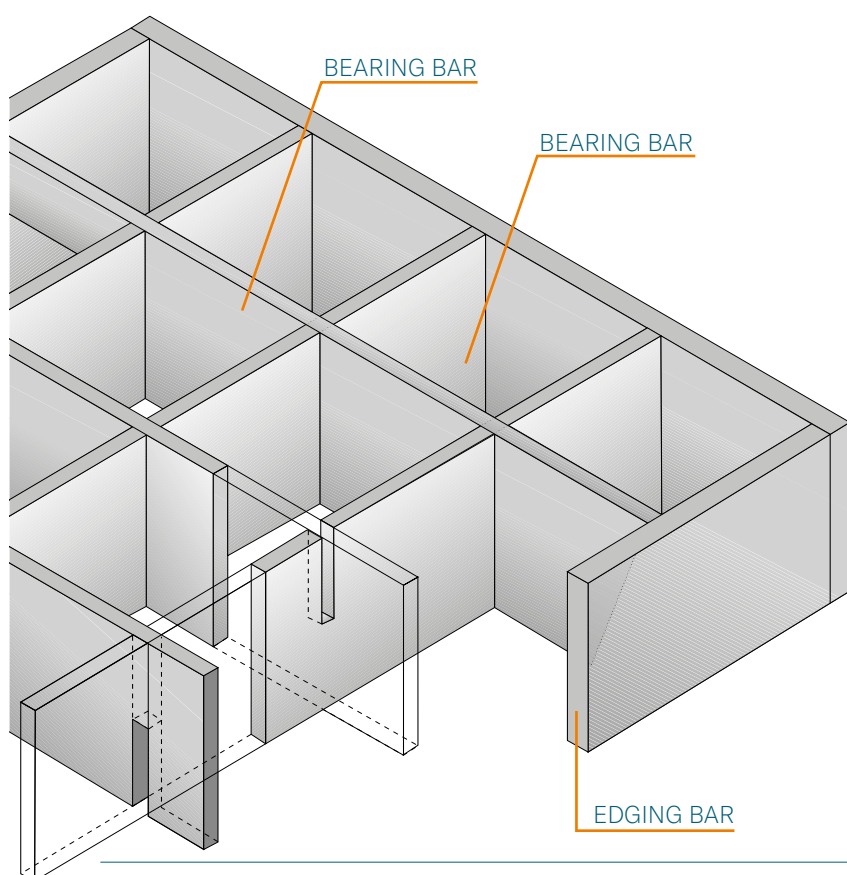
- Edged and galvanized

46



Pressed gratings

> Cross custom sizes with same depth flat bars



The **cross-pressed grating with same depth flat bars** completes the range of Gridiron gratings. Both bars of the same size are punched in the same way and then coupled at the slots thus obtained, to form **a panel with both sides the same**. Mostly requested with wide mesh for obvious aesthetic reasons, the crosspressed grating with same depth flat bars does not have any particular characteristics of capacity. It is mostly used for the creation of **partition panels, parapets, false ceilings or ornamental fillers, either indoors or outdoors**. The cross-pressed grating with same depth flat bars is **available in different meshes**, each of which can be combined with various types of bars, to cover any aesthetic need. It is always provided in custom size finished panels, edged and hot galvanized, ready for installation.

Also available in pickled and/or polished stainless steel, or in aluminium.

SPECIFICATION ITEMS: Gridiron type pressed crossed grating with same depth flat bars produced by pressing, with no added material.

Formed of bearing bars of mm... x mm... of thickness. Mesh of mm... x mm... calculated in axis. Edging bar of mm... x mm... All edged and hot dip galvanized in panels of mm... x mm...

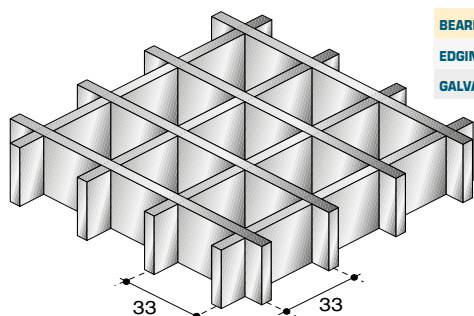
Distributed capacity: kg/m²...

Concentrated capacity on footprint of mm... x mm...: kg...

Maximum allowed camber: mm...

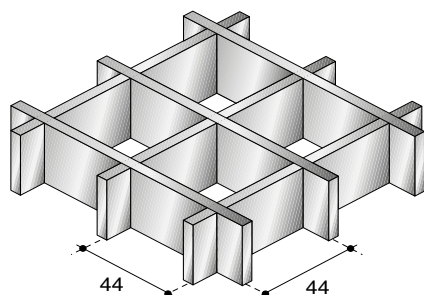
Weight of grating: kg/m²...

As necessary: add item complete with frame.



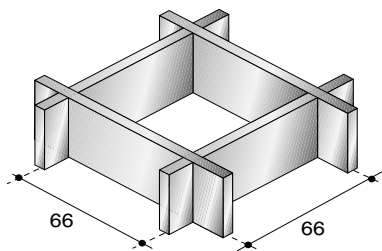
Mesh mm 33×33

BEARING BAR mm	25×2	25×3	30×2	30×3	30×4		
EDGING BAR mm	25×2	25×3	30×2	30×3	30×4		
GALVANIZED WEIGHT kg/m ²	26,00	38,10	31,10	45,70	60,20		
	40×2	40×3	40×4	40×5			
	40×2	40×3	40×4	40×5			
	41,50	60,80	80,20	99,50			
	50×3	50×4	50×5				
	50×3	50×4	50×5				
	76,00	100,10	124,20				
	60×3	60×4	60×5	70×3	70×4	70×5	
	60×3	60×4	60×5	70×3	70×4	70×5	
	91,10	120,10	149,00	106,30	140,10	173,80	



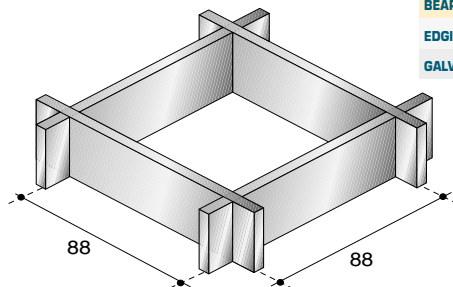
Mesh mm 44×44

BEARING BAR mm	25×2	25×3	30×2	30×3	30×4		
EDGING BAR mm	25×2	25×3	30×2	30×3	30×4		
GALVANIZED WEIGHT kg/m ²	20,10	29,50	24,10	35,40	46,60		
	40×2	40×3	40×4	40×5			
	40×2	40×3	40×4	40×5			
	32,10	47,10	62,10	77,00			
	50×3	50×4	50×5				
	50×3	50×4	50×5				
	58,80	77,50	96,20				
	60×3	60×4	60×5	70×3	70×4	70×5	
	60×3	60×4	60×5	70×3	70×4	70×5	
	70,60	93,00	115,40	82,30	108,50	134,60	



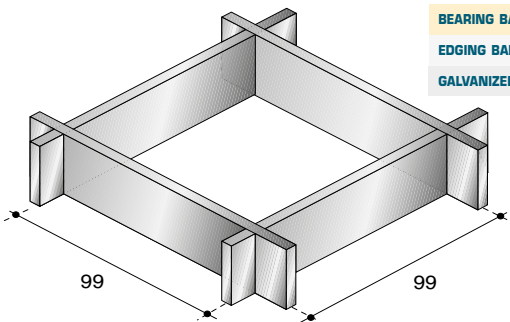
Mesh mm 66×66

BEARING BAR mm	25×2	25×3	30×2	30×3	30×4		
EDGING BAR mm	25×2	25×3	30×2	30×3	30×4		
GALVANIZED WEIGHT kg/m ²	13,40	19,70	16,10	23,60	31,10		
	40×2	40×3	40×4	40×5			
	40×2	40×3	40×4	40×5			
	21,40	31,40	41,40	51,40			
	50×3	50×4	50×5				
	50×3	50×4	50×5				
	39,20	51,70	64,20				
	60×3	60×4	60×5	70×3	70×4	70×5	
	60×3	60×4	60×5	70×3	70×4	70×5	
	47,10	62,00	77,00	54,90	72,30	89,80	



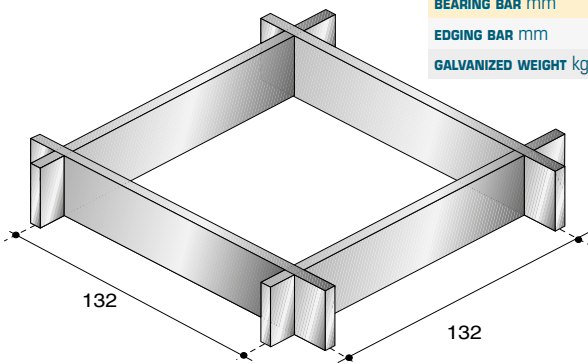
Mesh mm 88×88

BEARING BAR mm	25×2	25×3	30×2	30×3	30×4		
EDGING BAR mm	25×2	25×3	30×2	30×3	30×4		
GALVANIZED WEIGHT kg/m ²	10,10	14,80	12,10	17,70	23,30		
	40×2	40×3	40×4	40×5			
	40×2	40×3	40×4	40×5			
	16,10	23,60	31,10	38,50			
	50×3	50×4	50×5				
	50×3	50×4	50×5				
	29,40	38,80	48,10				
	60×3	60×4	60×5	70×3	70×4	70×5	
	60×3	60×4	60×5	70×3	70×4	70×5	
	35,30	46,50	57,70	41,20	54,30	67,30	



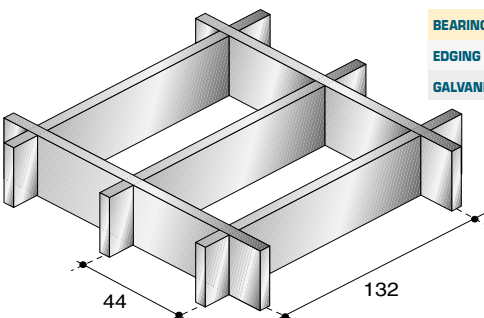
Mesh mm 99x99

BEARING BAR mm	25x2	25x3	30x2	30x3	30x4		
EDGING BAR mm	25x2	25x3	30x2	30x3	30x4		
GALVANIZED WEIGHT kg/m ²	9,20	13,50	11,10	16,20	21,40		
	40x2	40x3	40x4	40x5			
	40x2	40x3	40x4	40x5			
	14,70	21,60	28,50	35,30			
	50x3	50x4	50x5				
	50x3	50x4	50x5				
	27,00	35,60	44,10				
	60x3	60x4	60x5	70x3	70x4	70x5	
	60x3	60x4	60x5	70x3	70x4	70x5	
	32,40	42,70	52,90	37,80	49,80	61,70	



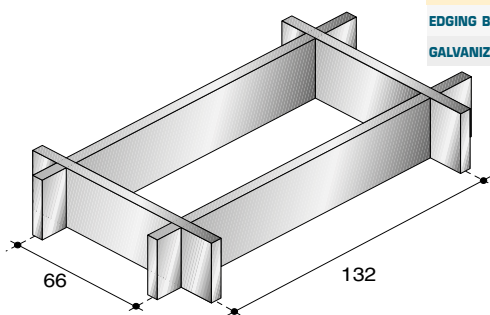
Mesh mm 132x132

BEARING BAR mm	25x2	25x3	30x2	30x3	30x4		
EDGING BAR mm	25x2	25x3	30x2	30x3	30x4		
GALVANIZED WEIGHT kg/m ²	7,50	11,10	9,00	13,30	17,50		
	40x2	40x3	40x4	40x5			
	40x2	40x3	40x4	40x5			
	12,00	17,70	23,30	28,90			
	50x3	50x4	50x5				
	50x3	50x4	50x5				
	22,10	29,10	36,10				
	60x3	60x4	60x5	70x3	70x4	70x5	
	60x3	60x4	60x5	70x3	70x4	70x5	
	26,50	34,90	43,30	30,90	40,70	50,50	



Mesh mm 44x132

BEARING BAR mm	25x2	25x3	30x2	30x3	30x4		
EDGING BAR mm	25x2	25x3	30x2	30x3	30x4		
GALVANIZED WEIGHT kg/m ²	13,80	20,30	16,60	24,30	32,00		
	40x2	40x3	40x4	40x5			
	40x2	40x3	40x4	40x5			
	22,10	32,40	42,70	52,90			
	50x3	50x4	50x5				
	50x3	50x4	50x5				
	40,50	53,30	66,10				
	60x3	60x4	60x5	70x3	70x4	70x5	
	60x3	60x4	60x5	70x3	70x4	70x5	
	48,60	64,00	79,30	56,60	74,60	92,50	



Mesh mm 66x132

BEARING BAR mm	25x2	25x3	30x2	30x3	30x4		
EDGING BAR mm	25x2	25x3	30x2	30x3	30x4		
GALVANIZED WEIGHT kg/m ²	10,50	15,40	12,60	18,40	24,30		
	40x2	40x3	40x4	40x5			
	40x2	40x3	40x4	40x5			
	16,70	24,60	32,30	40,10			
	50x3	50x4	50x5				
	50x3	50x4	50x5				
	30,70	40,40	50,10				
	60x3	60x4	60x5	70x3	70x4	70x5	
	60x3	60x4	60x5	70x3	70x4	70x5	
	36,80	48,50	60,10	42,90	56,50	70,10	

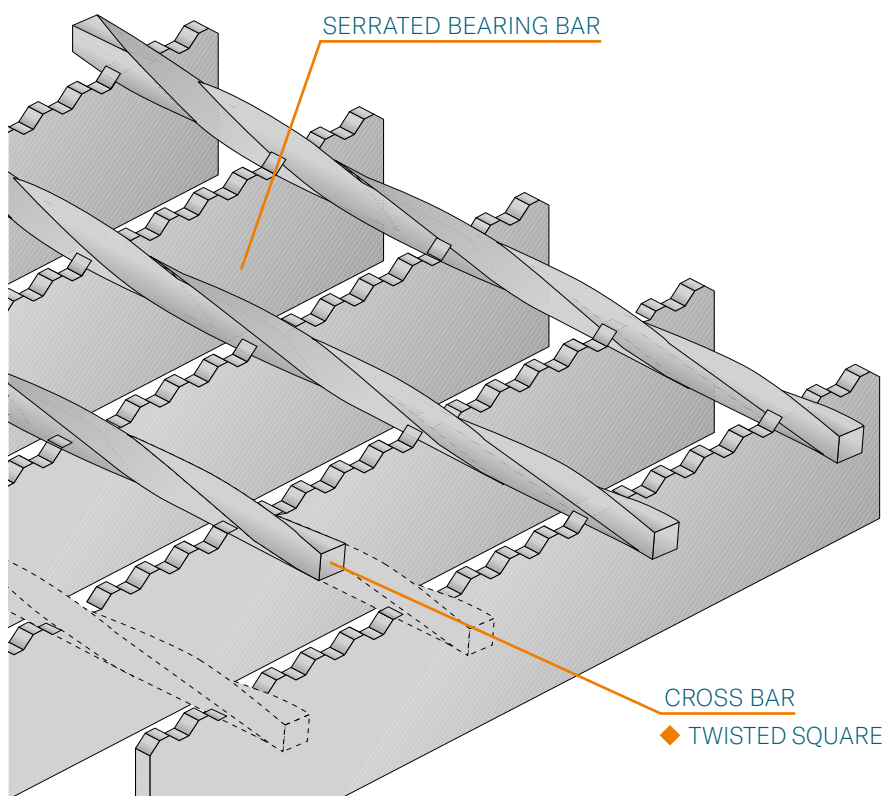
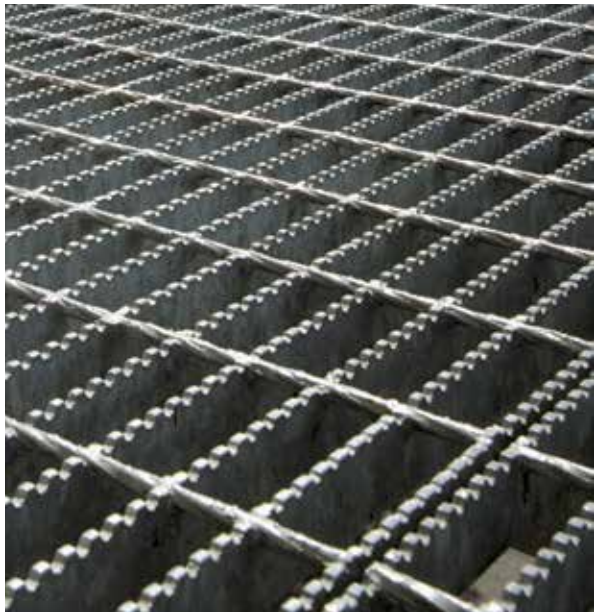
5. Superanti-slip gratings (SAS)

-
- Electro-forgewelded custom sizes 52
 - Pressed custom sizes 58



Gratings SAS

> **Electro-forgewelded
custom sizes**



The term super anti-slip (SAS) identifies the grating that features **special serrations on the upper part of the bearing bars**, which provide extra **non-slip properties** of the surface of the panels. This type of grating is designed to **comply with accident prevention standards**, but it is in any case used wherever work takes place in the presence of liquids and oily substances. The **electro-forgewelded super anti-slip** is available in various meshes, each of which can be used with various types of bars.

SPECIFICATION ITEMS: Gridiron type electro-forgewelded super anti-slip grating produced by electro-forgewelding with no added material. Formed of serrated bearing bars of mm... x mm... of thickness and connection spacers in twisted squares of mm... per side. Mesh of mm...x mm... calculated in axis (bearing bars mm...- twisted squares for connection mm...). Edging bar of mm... x mm...

All edged and hot dip galvanized in panels of mm... x mm...
The first measurement refers to the dimension of the bearing bars.

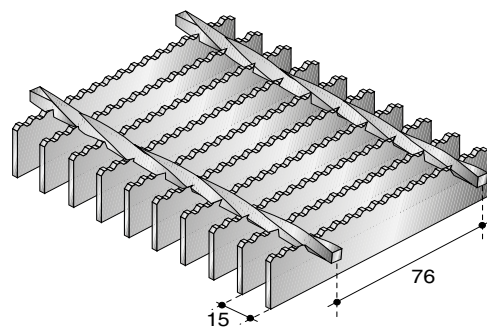
Distributed capacity: kg/m²...

Concentrated capacity on footprint of mm... x mm...: kg...

Maximum allowed camber: mm...

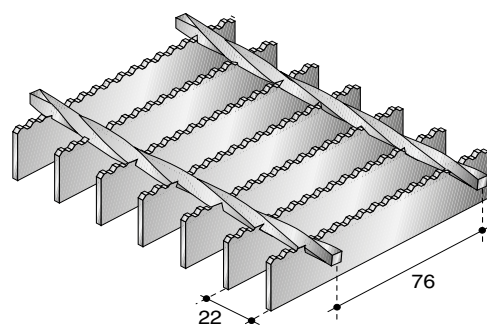
Weight of grating: kg/m²...

As necessary: add item complete with frame.



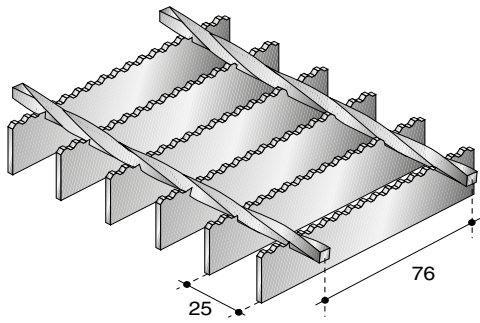
Mesh mm 15×76 SAS

BEARING BAR mm	30×3
CROSS BAR mm	◇ 5
SELF-COLOURED WEIGHT kg/m ²	48,30
GALVANIZED WEIGHT kg/m ²	50,81



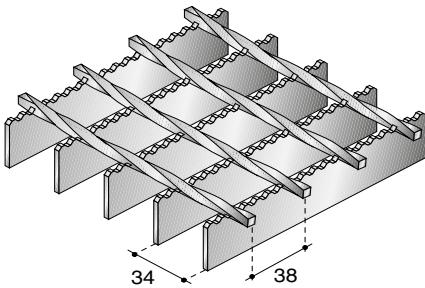
Mesh mm 22×76 SAS

BEARING BAR mm	30×3
CROSS BAR mm	◇ 4,5
SELF-COLOURED WEIGHT kg/m ²	34,39
GALVANIZED WEIGHT kg/m ²	36,17



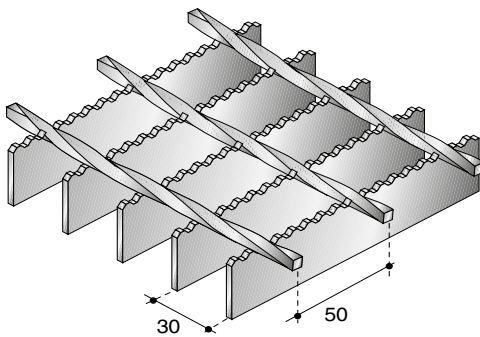
Mesh mm 22×76 SAS

BEARING BAR mm	25×3	40×3
CROSS BAR mm	◆ 5	◆ 5
SELF-COLOURED WEIGHT kg/m ²	25,9	39,40
GALVANIZED WEIGHT kg/m ²	27,45	41,40



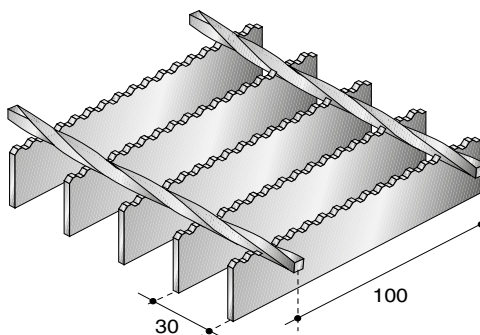
Mesh mm 34×38 SAS

BEARING BAR mm	30×3	30×5
CROSS BAR mm	◆ 4,7	5,7
SELF-COLOURED WEIGHT kg/m ²	24,18	38,9
GALVANIZED WEIGHT kg/m ²	25,48	40,84



Mesh mm 30×50 SAS

BEARING BAR mm	25×3	30×3	30×4
CROSS BAR mm	◆ 4,7	◆ 4,7	◆ 6
SELF-COLOURED WEIGHT kg/m ²	22	26,00	35,90
GALVANIZED WEIGHT kg/m ²	23,1	27,40	37,39
	30×5		
	◆ 5,7		
	42,20		
	44,52		



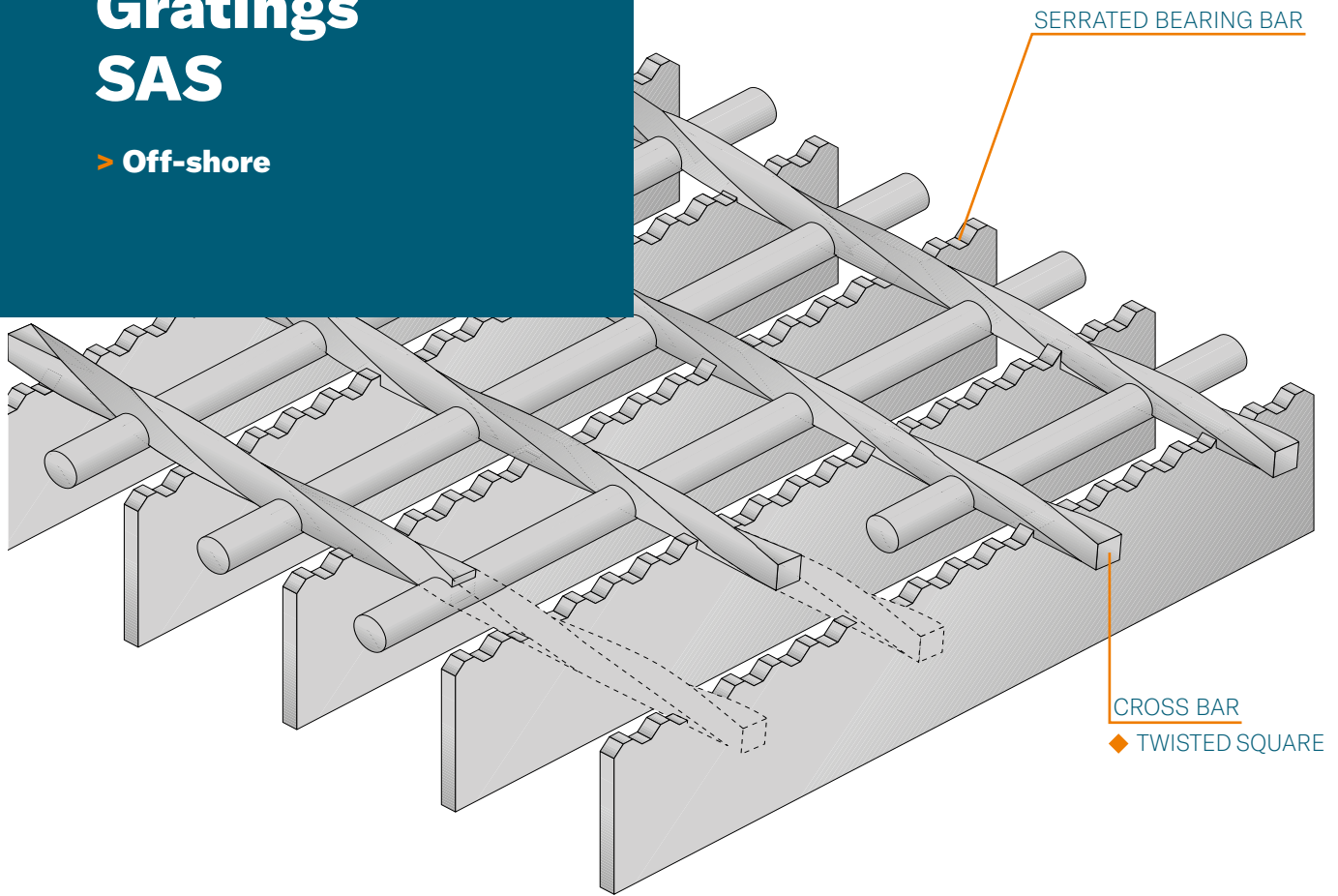
Mesh mm 30×100 SAS

BEARING BAR mm	25×5	30×3	30×5
CROSS BAR mm	◆ 5,7	◆ 4,7	◆ 5,7
SELF-COLOURED WEIGHT kg/m ²	33,96	24,71	40,67
GALVANIZED WEIGHT kg/m ²	35,18	26,01	42,06
	32×5	40×5	
	5,7	◆ 5,7	
	43	53,8	
	45,15	56,49	

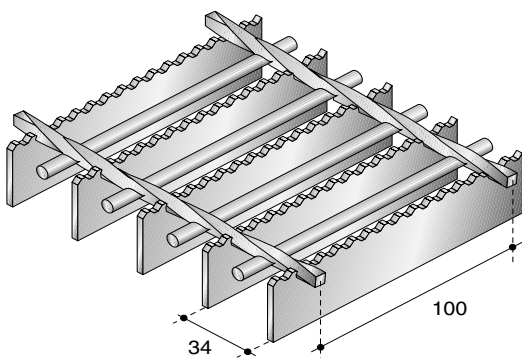
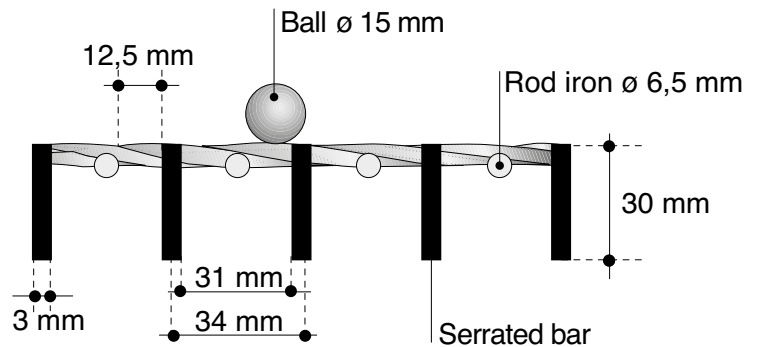


Gratings SAS

> Off-shore



The off-shore grating finds special and exclusive application in the construction of marine rigs. Comprised of serrated bars alternating with rod irons, in order to lighten the panel, it preserves safety characteristics intact and unaltered. Thanks to the structure with dense meshes, it also acquires the capacity to trap small objects (≥ 15 mm), which is essential for off-shore facilities.

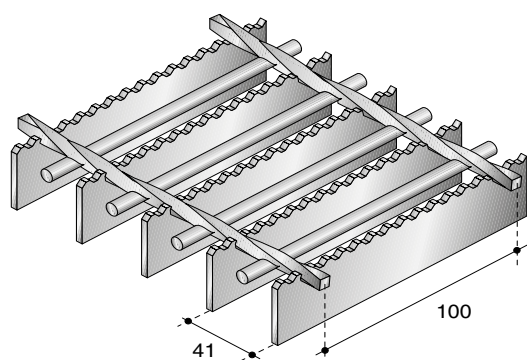
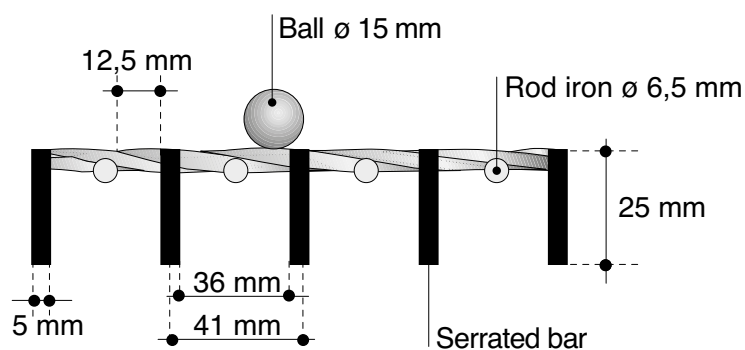


Mesh mm 34x100 off-shore

BEARING BAR mm	30x3
CROSS BAR mm	◆ 6
SELF-COLOURED WEIGHT kg/m ²	29,27
GALVANIZED WEIGHT kg/m ²	30,67



The off-shore grating finds special and exclusive application in the construction of marine rigs. Comprised of serrated bars alternating with rod irons, in order to lighten the panel, it preserves safety characteristics intact and unaltered. Thanks to the structure with dense meshes, it also acquires the capacity to trap small objects (≥ 15 mm), which is essential for off-shore facilities.

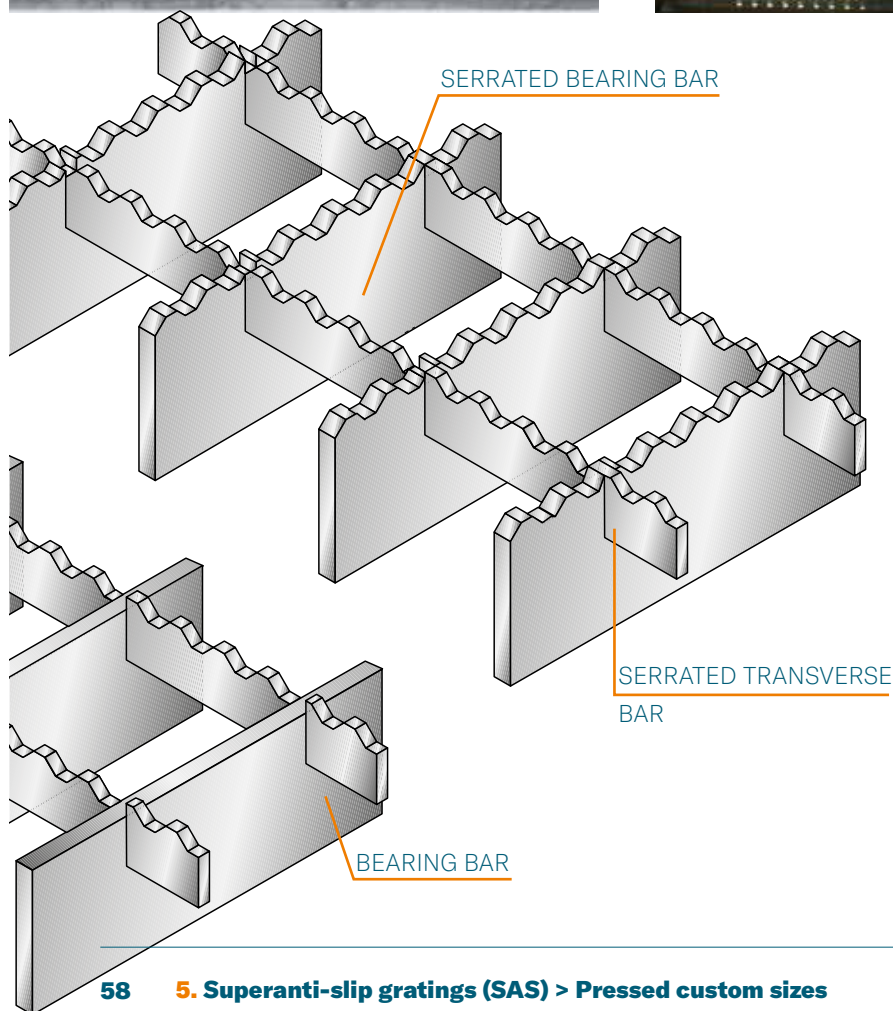
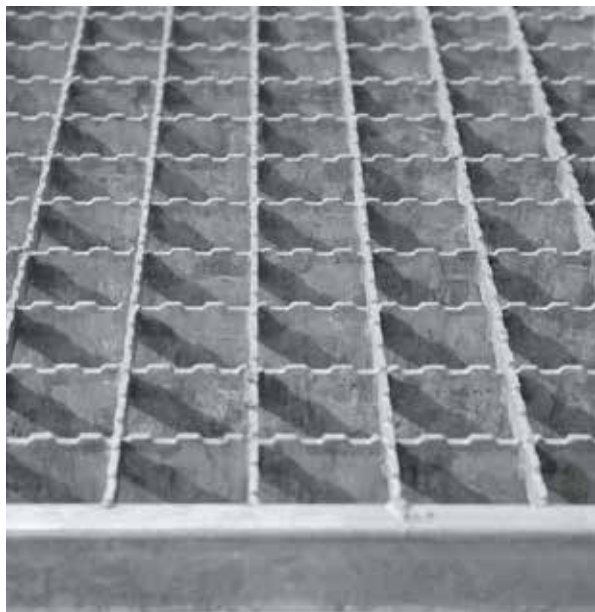


BEARING BAR mm	25x5	30x5
CROSS BAR mm	♦ 7	♦ 7
SELF-COLOURED WEIGHT kg/m ²	31	36
GALVANIZED WEIGHT kg/m ²	32,86	38,16

Mesh mm 41x100 off-shore

Gratings SAS

> Pressed custom sizes



The **pressed super anti-slip grating** features **special notches** on the upper side of the bearing bars and in some cases also on the transverse bars. These notches make the panels **slip-proof and safe**, with an excellent finish and a pleasant appearance.

The super anti-slip version can be provided with **any mesh and section of bar**.

SPECIFICATION ITEMS: Gridiron type pressed super anti-slip grating produced by pressing with no added material. Formed of bearing bars of mm... x mm... of thickness and transverse bars of mm... x mm... Mesh of mm... x mm... calculated in axis (bearing bars mm...- transverse bars mm...).

All edged and hot dip galvanized in panels of mm... x mm...
The first measurement refers to the dimension of the bearing bars.

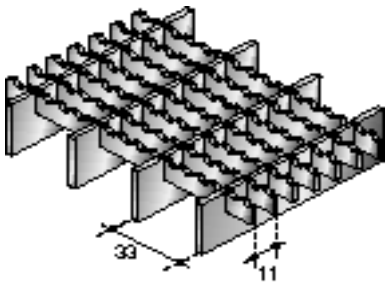
Distributed capacity: kg/m²...

Concentrated capacity on footprint of mm...: x mm...: kg...

Maximum allowed camber: mm...

Weight of grating: kg/m²...

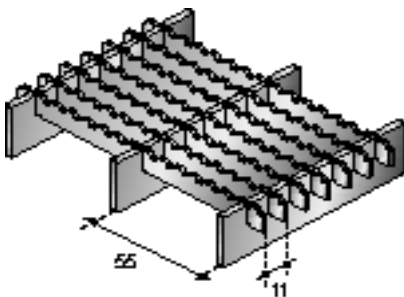
As necessary: add item complete with frame.



Mesh mm 33×11 SAS

BEARING BAR mm	25×2	25×3
TRANSVERSE BAR mm	10×2	10×2
GALVANIZED WEIGHT kg/m ²	28,50	32,30
	30×2	30×3
	10×2	10×2
	31,20	35,80
	40×2	40×3
	10×2	10×2
	36,50	43,20

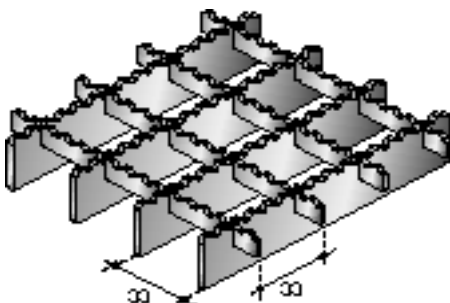
with notches **only** on cross bar



Mesh mm 55×11 SAS

BEARING BAR mm	25×2	25×3
TRANSVERSE BAR mm	10×2	10×2
GALVANIZED WEIGHT kg/m ²	23,30	25,50
	30×2	30×3
	10×2	10×2
	25,00	27,60
	40×2	40×3
	10×2	10×2
	28,40	32,20

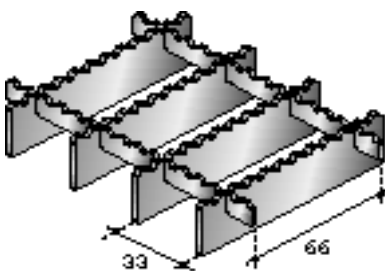
with notches **only** on cross bar



Mesh mm 33×33 SAS

BEARING BAR mm	25×2	25×3
TRANSVERSE BAR mm	10×2	10×2
GALVANIZED WEIGHT kg/m ²	19,00	24,10
	30×2	30×3
	10×2	10×2
	21,70	27,00
	40×2	40×3
	10×2	10×2
	27,00	34,20

with notches on both parts



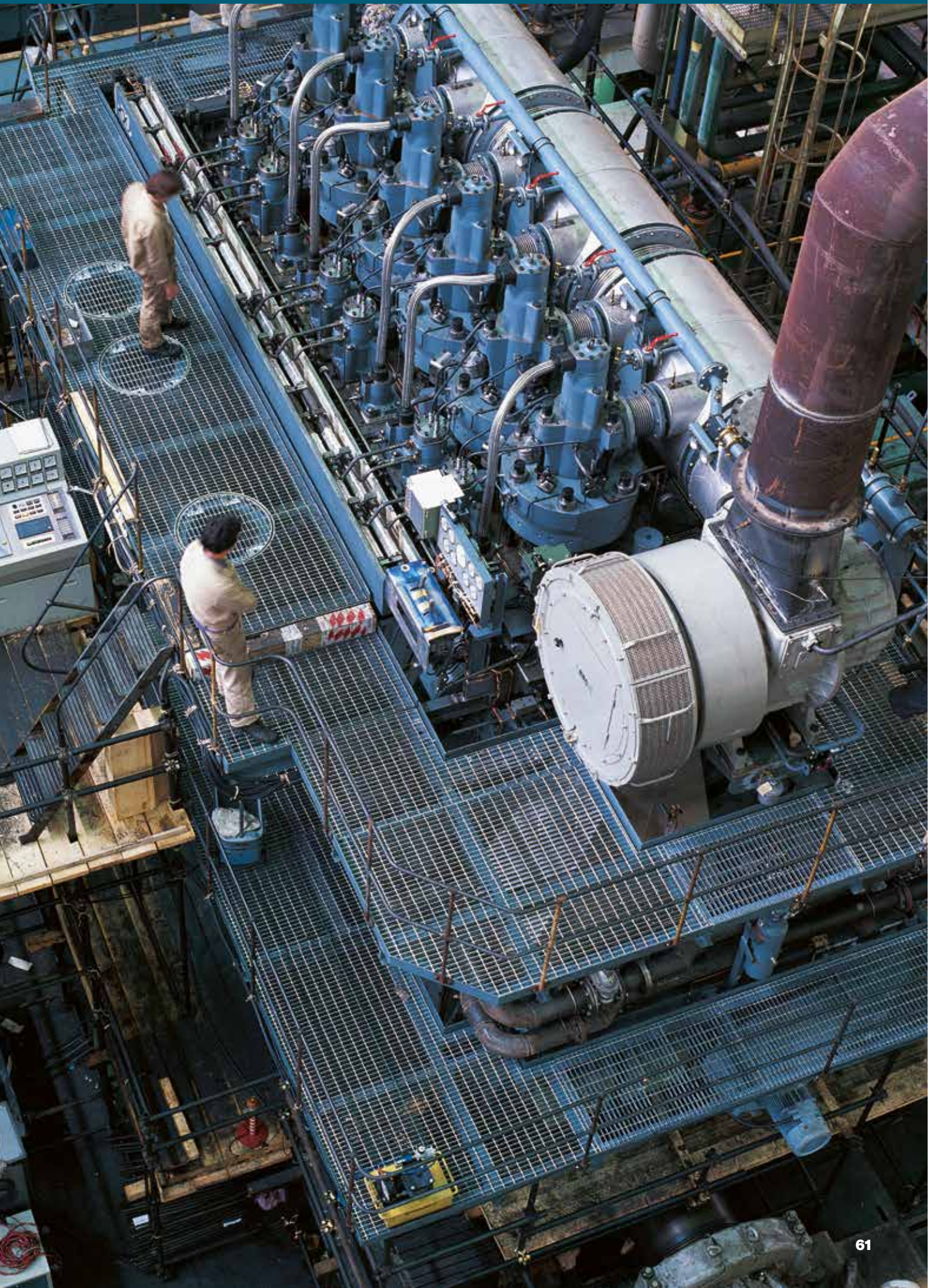
Mesh mm 33×66 SAS

BEARING BAR mm	25×2	25×3
TRANSVERSE BAR mm	10×2	10×2
GALVANIZED WEIGHT kg/m ²	16,70	21,80
	30×2	30×3
	10×2	10×2
	19,40	25,40
	40×2	40×3
	10×2	10×2
	24,80	32,80

with notches on both parts

6. Special products

-
- Custom size contoured grating 62
 - Special pressed grating 63
 - Anti-theft fixing and fastening systems 64



Special products

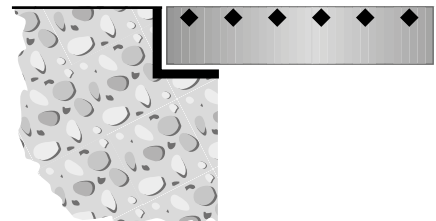
> Custom size contoured grating



The substantial versatility of the pressed and electro-forgewelded grating permits special linear, transversal or curved cuts on panels which, thus shaped, fully satisfy any special application. Gridiron technical office, thanks to the support of advanced information systems, can design any type of grating for applications in the construction, industrial, and civil sectors. The qualitative, technological and constructive union thus provides effective solutions for large projects.

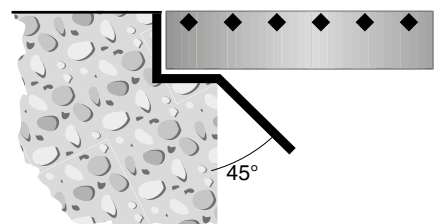
> Frames

The containment frames are an inseparable accessory of gratings. Manufactured in hot dip galvanized steel out of various sections according to needs, they are constructed with special fastening tangs for installation. They are normally classified as "island frames" or "wall-mounted frames", depending on whether they have one or more sides in contact with the concrete wall.



> Frames with drip moulding

This particular frame is constructed with a special hot galvanized Z-shaped profile. It is the ideal solution to keep water from running along the concrete walls under the grating. This also greatly limits the formation of mould and moss. Also for this version of frame, it is possible to provide wall-mounted or island tangs.





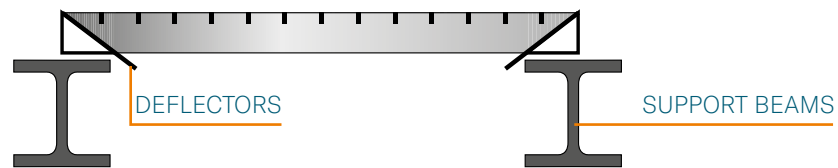
Special products

> Special pressed grating



> Anti-residue deflectors

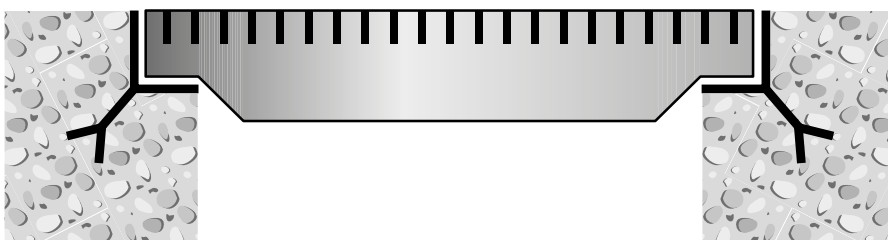
Gridiron has created a special finish for the panels in pressed grating used in the sector of grain processing and storage. It consists of inclined edging (commonly called "deflector") which favours the flow of grain and prevents accumulation on the upper parts of the support beams. All of this is as shown in the section.



> Tapering

The tapered shaping of bearing bars becomes necessary when a special load capacity is required and there is a previously existing frame that is not deep enough.

Each bearing bar of the panel is thus contoured to adapt it to the corner, as shown in the section at bottom. This makes it unnecessary to replace the frame, while still ensuring the required capacity.



Special products

> Anti-theft fixing and fastening systems



> Fastening systems

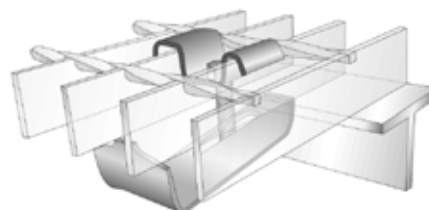
Stabilo fixings

Completely hot dip galvanized steel accessory that allows stable fastening of gratings to a support or beam.

The upper bracket, available in three different formats, makes anchoring suitable for fastening gratings with distances between bearing bars of 15, 22, 25, 30 and 34 mm. The universal lower bracket is equipped with a slot that allows maximum adaptability to the most widely varying methods of fastening.



Code ANC 15

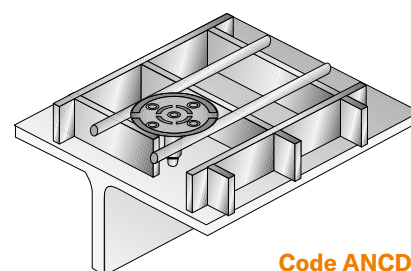


Code ANC 22

Code ANC 34

Hilti fixings

Fastening systems for grating walkways, composed of a threaded stud and a flange, completely galvanized and also available in stainless steel on request. Valid exclusively for gratings with bearing bars h 25 and/or 30 mm. Easy to install and remove, it ensures a sure grip even for dynamic loads, and its gasket ensures an elastic hold.



Code ANCDXZ



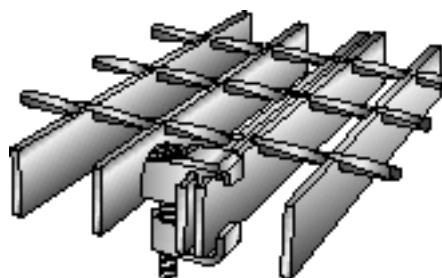
Resisto joint

This is a practical, extremely functional joint. Turning the bolt places traction on the two brackets that comprise it.

This safely tightens two adjacent panels without using any nuts.

Code ANCRES for grating with thickness load-bearing bars 2 and 3 mm

Code ANCRES4 for grating with thickness load-bearing bars 4 and 5 mm



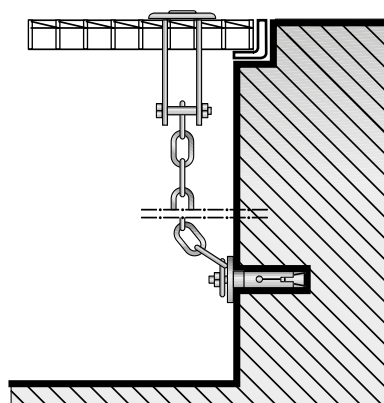
> Anti-theft systems

BLINDO

The BLINDO patented anti-theft system, designed especially for removable basement window wells, efficiently resolves anchoring problems of the gratings. The upper U-bolt fastens onto two bars of the grating and the sturdy chain is fastened with the insert to the concrete wall of the basement window well, so that the grating can only be unfastened from the inside.

Two anti-theft devices are normally required for each grating.

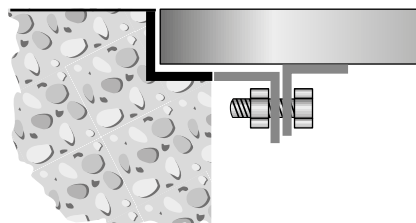
Code 1000



BLOCK

Especially effective against break-ins and generally requested for basement window wells in residential buildings, the BLOCK anti-theft device is composed of a perforated bar welded to the lower part of the grating, to be welded to a corresponding one that is welded to the frame. In this way, the grating can be opened only from the inside.

Code 1000S







Antique finish Grids

> For outstanding
architecture



Gridiron has always sought the finest products to satisfy the most attentive customers, and now offers a type of **antique finish grids**. This innovative solution can **be applied in the renovation and restructuring of historic town centres**, reducing the environmental impact, thus conserving the atmosphere, traditions and appeal of past times.

In custom sizes, with extra-thick bearing bars with frame, the grids are **hot dip galvanized** in accordance with standard UNI EN ISO 1461 and **enhanced through heat-setting epoxy powder finishes**, with a **characteristic burnished and slightly opaque colour**, which gives the grid its classic antique appearance.





COR-TEN pressure-locked steel grating

> For historical buildings



Gridiron has a range of pressure-locked gratings made of COR-TEN steel.

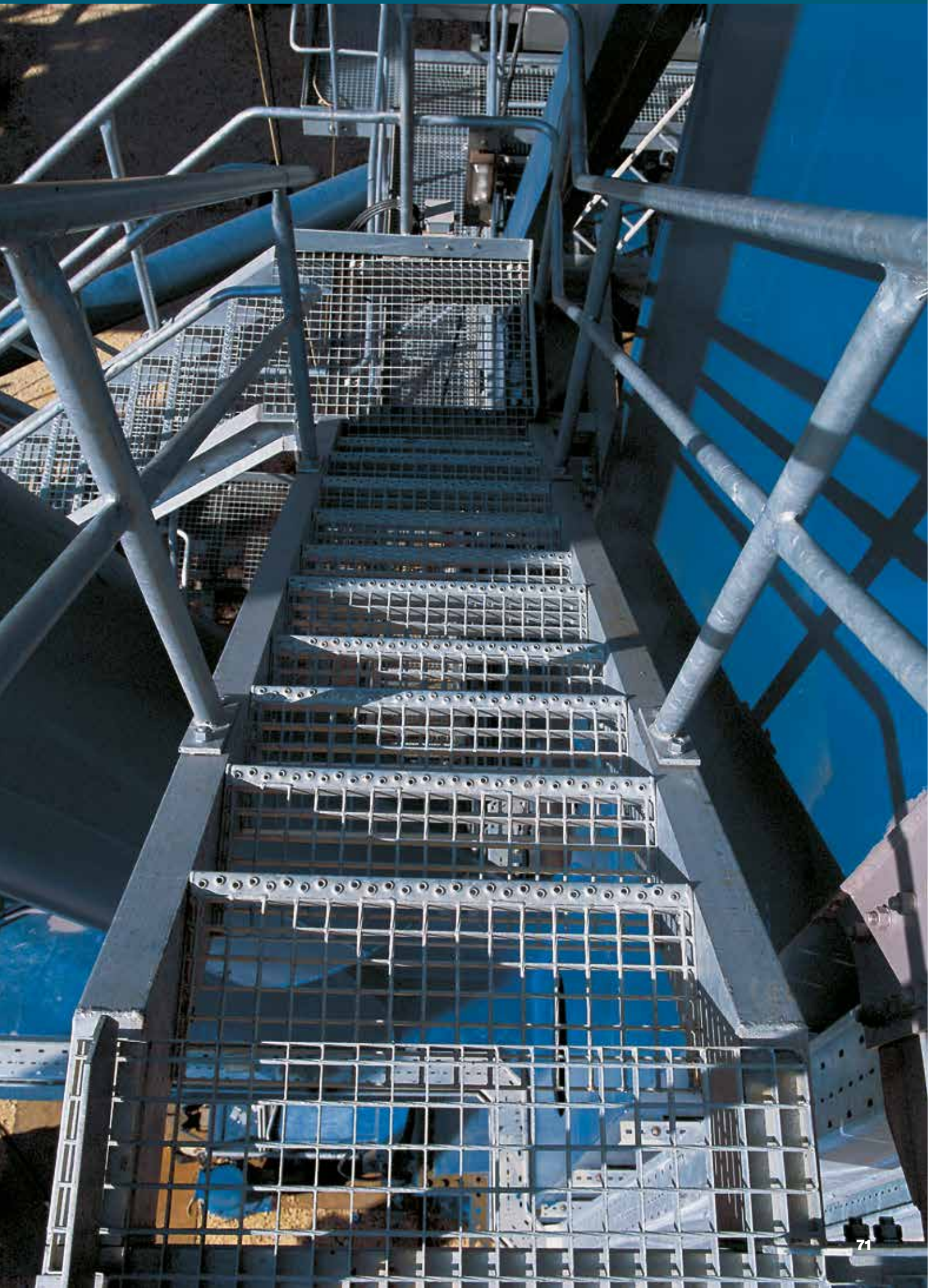
The appeal of COR-TEN steel has to do with the self-protection process the material develops to counter electrochemical corrosion, by forming a compact passivating superficial patina consisting of the oxides of its alloys, which prevents the gradual spread of corrosion; the colour of this film may vary over time and is usually brownish, but has countless variants.

This type of material is suitable whenever a strong character and visual appeal are required for historical contexts but also modern architectures, as the material's distinctive character enriches walk-over gratings with an elegant and sober touch.



7. Safe steps and stairtreads

-
- In electro-forgewelded and pressed grating 72
 - In pressed grating anti-vertigo 76



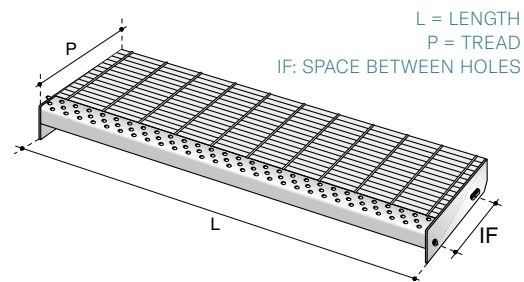
Safe steps and stairtreads

> In electro-forgewelded and in pressed grating



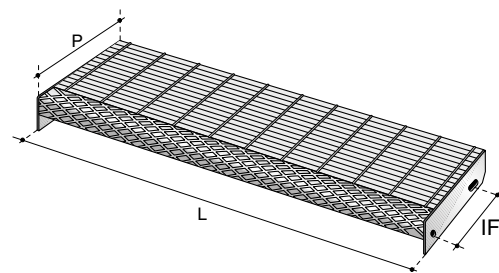
> Safe steps and stairtreads with front perforated nosing

The classic safe step includes application of a **front perforated nosing**, which acts as an anti-slip. This is not only safer for the people using the stairs; it also contributes generally to a more stable structure.



> Safe steps and stairtreads with striated nosing sheet metal

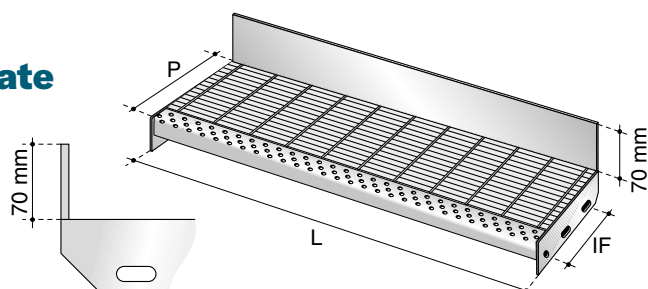
Sometimes, steps are requested with **nosing in striated nosing sheet metal** instead of perforated, for aesthetic reasons. The versatility Gridiron production can also fulfill this requirement.



> Safe steps and stairtreads with toe plate

If greater safety is required of the step, it is advisable to install a **toe plate on the back**.

Thanks to this solution, the foot cannot pass beyond the tread and therefore cannot be accidentally inserted between two steps.

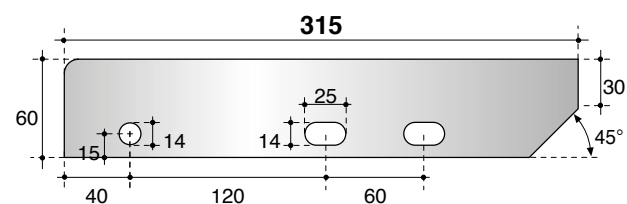
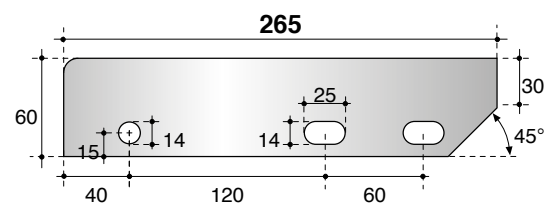
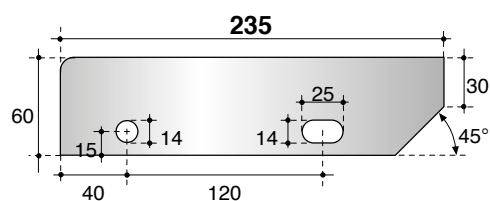




> Standard endplates

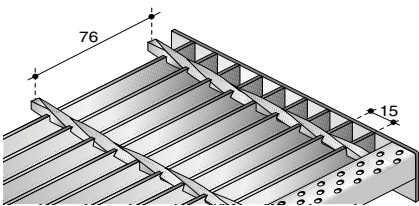
Standard endplates in accordance with standards uni 11002 - 2:2002

The standard endplates applied to the steps are provided with pre-drilled holes for fixing. Gridiron offers three different standard sizes of endplates in order to cover any dimensional requirement, thus making it possible to form the holes in the load-bearing structure of the stairs with the absolute certainty of quick, foolproof, properly executed work. Also available in stainless steel.



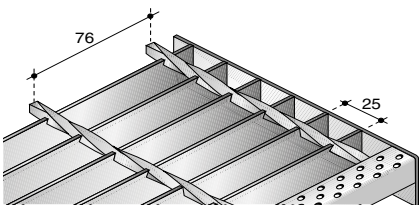


The standard line of steps in electro-forgewelded grating is offered in three types of meshes. The 34×38 square for industrial applications, the classic 25×76 and the anti-heel 15×76, especially suited for safety stairs. The steps can be custom size according to client specifications.



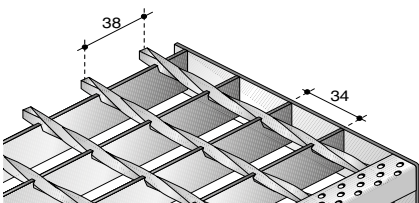
Mesh mm 15×76

DIMENSIONS mm (L×P)	800×265	1000×265	1200×315	1200×315	1200×315
BEARING BAR mm	25×2	25×2	25×2	30×2	30×3
CODE	2054	2055	2056	2057	2058



Mesh mm 25×76

DIMENSIONS mm (L×P)	600×235	700×235	800×265	1000×265	1000×265
BEARING BAR mm	25×2	25×2	25×2	25×2	25×3
CODE	2023	2024	2025	2026	2027
	1000×315	1200×315			
	30×3	30×3			
	2028	2029			

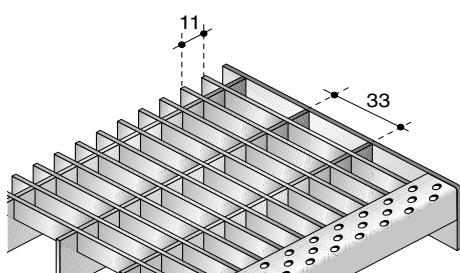


Mesh mm 34×38

DIMENSIONS mm (L×P)	800×265	900×265	1000×265	1200×315
BEARING BAR mm	30×3	30×3	30×3	30×3
CODE	2065	2066	2067	2068

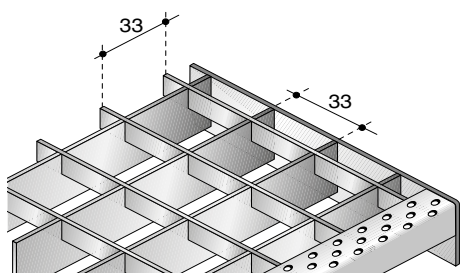


For special installations in which the aesthetic appearance is of particular importance, Gridiron offers safe steps and stairtreads in pressed grating. The nosing is made of perforated sheet metal, while the endplates are available in three sizes. The steps can be constructed in custom sizes as per customer specifications. They are also available in stainless steel.



Mesh mm 33×11

DIMENSIONS mm (L×P)	1000×265	1200×315	
BEARING BAR mm	30×2	40×2	
TRANSVERSE BAR mm	10×2	10×2	
CODE	2018	2019	

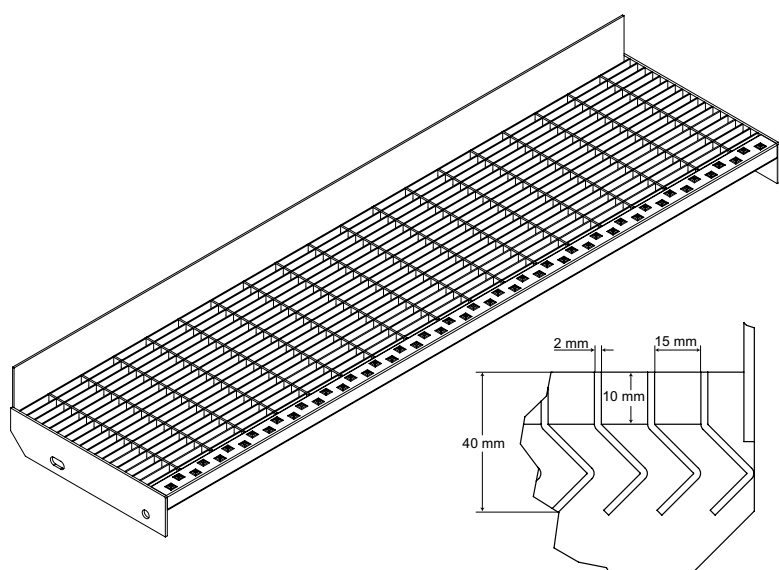
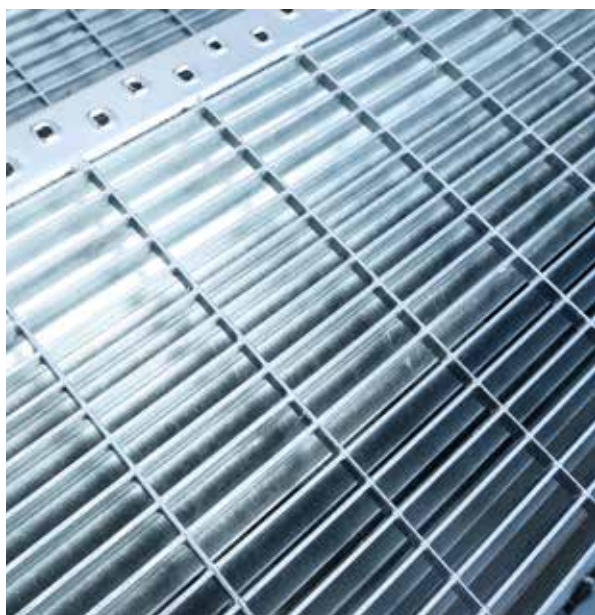


Mesh mm 33×33

DIMENSIONS mm (L×P)	800×265	1000×265	1200×315
BEARING BAR mm	30×2	30×2	40×2
TRANSVERSE BAR mm	10×2	10×2	10×2
CODE	2062	2063	2064

Safe steps and stairtreads

> In pressed grating anti-vertigo Mod. WOPANIC

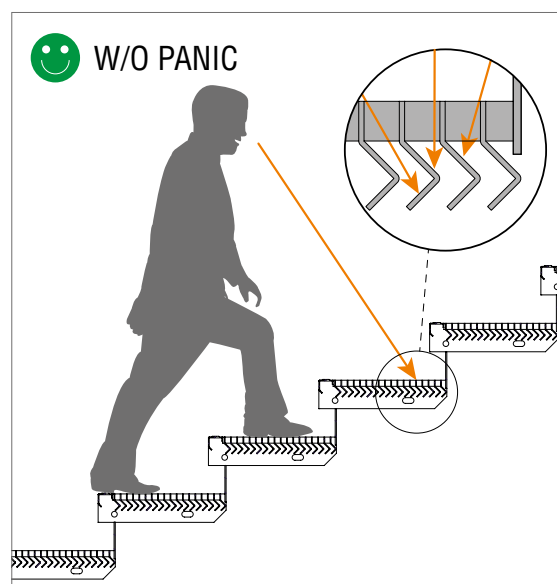
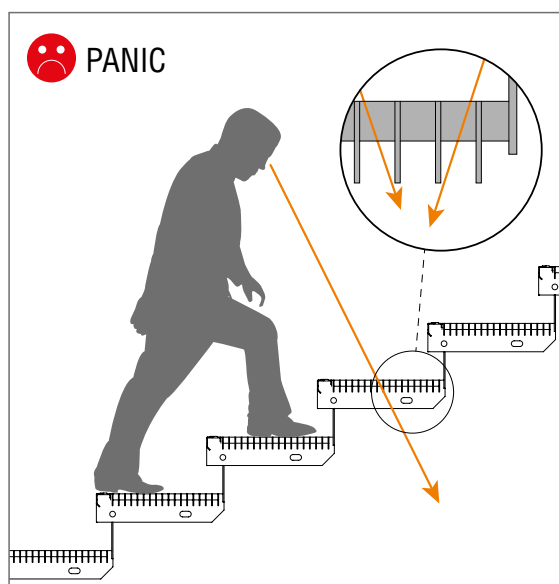


Wopanic, the innovative solution that reduces the feeling of vertigo in pedestrians

The "WOPANIC" anti-vertigo step by Gridiron is manufactured within the pressure-locked grating production process, with the difference that the bearing bars – thanks to their special shaped profile – shield the view entirely and guarantee the necessary permeability to air typical of gratings.

APPLICATIONS

- Service stairs
- Safety stairs
- Walkways
- Landings





8. Fencing in electro- forgewelded grating

• Boxer

80



8

Fencing electro-forgewelded grating

> **Boxer**



For the production of **Boxer fencing**, **electroforgeweldedgrating is used**. The fusion process between the vertical bearing bars and the horizontal transverse bars makes a perfect connection and is free of residual waste; which, with the usual hot dip galvanizing protective treatment, creates a secure, elegant and long lasting product. The excellent quality of the finish and **extra thick framing bars** ensure the product is **sturdy and non-deformable**.

Unequaled for safety and functionality, **Boxer** is the ideal solution to any requirement for fencing in residential, industrial and civil developments, but it is also for use as balustrading on parapets, balconies and terraces. The construction of the panels, with the round transverse bars on the outside, substantially reduces the possibility of climbing over.

> **The modules**

Our **Boxer** fences are available in stock in modules that are always hot dip galvanized, each composed of a panel, a post and two fastening bolts.

> **The panels**

Each panel means grating that is hot dip galvanized, edged and provided with bent hooks and perforations for fastening to posts.

> **The posts**

Flat or with T-profile for the highest panelling, they are available in versions to be cemented or pegged, i.e. with perforated bar to be fastened to the existing wall.

> **Nuts and bolts**

The nuts and bolts are normally galvanized. On request they can be provided in stainless steel or in strip-off anti-theft stainless steel.

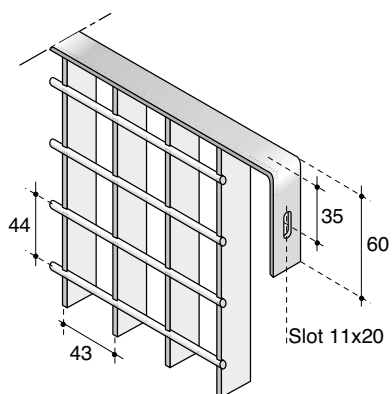
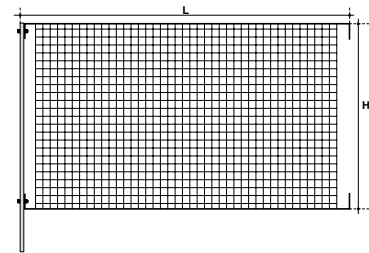


> Complete fencing

Gridiron provides complete **finished fencing systems**, supplied with any necessary **custom size closing** or **make-up panels**, and also special **posts** for the corners or for changes in direction, and shaped panels or special posts for the beginning and ends of fence sections. We are able to liaise with the client from taking measurements at site through to delivery and installation, thus ensuring a complete and comprehensive service that optimizes execution times.

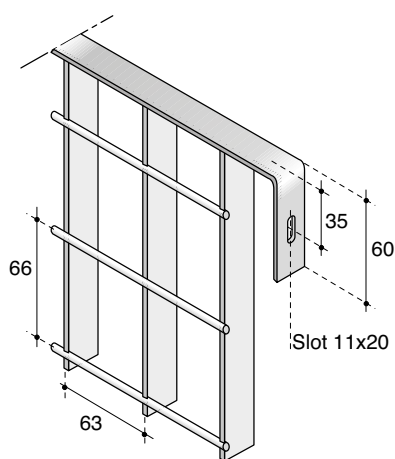


This section shows the **Boxer** fencing in electro-forgewelded gratings 43x44. This mesh is especially used for the creation of parapets, stairs, balconies, terraces and fencing in residential zones.

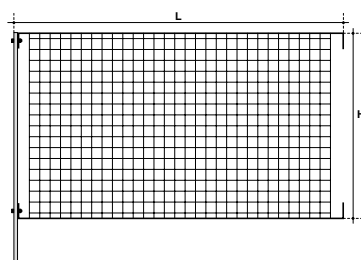


Mesh mm 43x44

SPAN 2000 dim. module (HxL)	935x2000	1199x2000	1331x2000
BAR mm	25x2	25x2	25x2
POST TO BE CEMENTED	≠ 60x8 h 1145	≠ 60x8 h 1409	≠ 60x8 h 1541
SCREW-ON POST	≠ 60x8 h 985	≠ 60x8 h 1249	≠ 60x8 h 1381
WEIGHT kg/m ²	17,00	16,60	16,50
	1463x2000	1727x2000	1991x2000
	25x2	25x2	25x2
	≠ 60x8 h 1673	≠ 60x8 h 1937	≠ 80x8 h 2201
	≠ 60x8 h 1513	≠ 60x8 h 1777	T 50x7 h 2041
	16,40	16,20	16,00



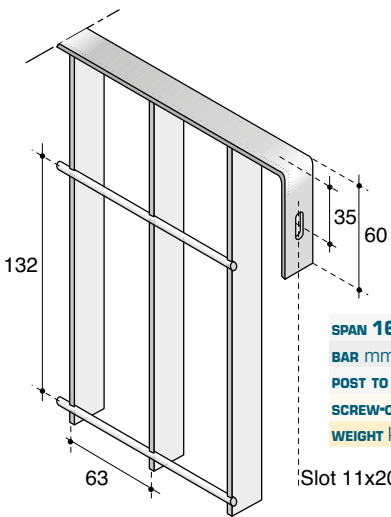
Mesh mm 63x66



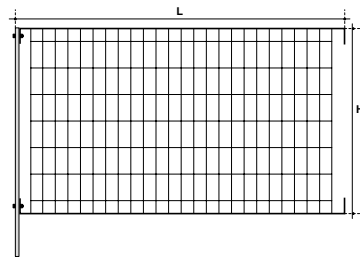
The 63x66 is part of the classic production of Gridiron fencing. It is preferred over the 63x132 especially in the residential sector, since its square form makes it aesthetically more refined and pleasant. In the table hereunder, it is shown in two different loadbearing bars and two different module lengths.

SPAN 1650 dim. module (HxL)	935x1650	1199x1650	1331x1650
BAR mm	25x3	25x3	25x3
POST TO BE CEMENTED	≠ 60x8 h 1145	≠ 60x8 h 1409	≠ 60x8 h 1541
SCREW-ON POST	≠ 60x8 h 985	≠ 60x8 h 1249	≠ 60x8 h 1381
WEIGHT kg/m ²	17,17	16,55	16,33
	1463x1650	1727x1650	1991x1650
	25x3	25x3	25x3
	≠ 60x8 h 1673	≠ 60x8 h 1937	≠ 80x8 h 2201
	≠ 60x8 h 1513	≠ 60x8 h 1777	T 50x7 h 2041
	16,16	15,88	16,28

SPAN 2000 dim. module (HxL)	935x2000	1199x2000	1331x2000	1463x2000	1727x2000	1991x2000
BAR mm	25x2	25x2	25x2	25x2	25x2	25x2
POST TO BE CEMENTED	≠ 60x8 h 1145	≠ 60x8 h 1409	≠ 60x8 h 1541	≠ 60x8 h 1673	≠ 60x8 h 1937	≠ 80x8 h 2201
SCREW-ON POST	≠ 60x8 h 985	≠ 60x8 h 1249	≠ 60x8 h 1381	≠ 60x8 h 1513	≠ 60x8 h 1777	T 50x7 h 2041
WEIGHT kg/m ²	12,90	12,50	12,40	12,20	12,00	11,90
	935x2000	1199x2000	1331x2000	1463x2000	1727x2000	1991x2000
	25x3	25x3	25x3	25x3	25x3	25x3
	≠ 60x8 h 1145	≠ 60x8 h 1409	≠ 60x8 h 1541	≠ 60x8 h 1673	≠ 60x8 h 1937	≠ 80x8 h 2201
	≠ 60x8 h 985	≠ 60x8 h 1249	≠ 60x8 h 1381	≠ 60x8 h 1513	≠ 60x8 h 1777	T 50x7 h 2041
	16,00	15,60	15,50	15,30	15,10	15,00



Mesh mm 63x132



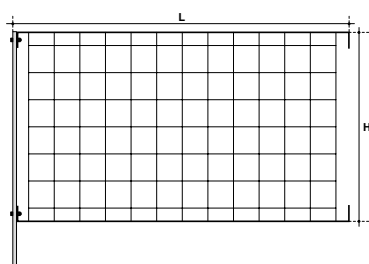
The **Boxer** fencing with mesh 63x132 is still the most popular model in the wide range that we produce. Appreciated in a multitude of applications, it is most successful in fencing off industrial zones, lots, and public areas.

SPAN 1650 dim. module (HxL)	935x1650	1199x1650	1331x1650	1463x1650	1727x1650	1991x1650
BAR mm	25x2	25x2	25x2	25x2	25x2	25x2
POST TO BE CEMENTED	≠ 60x8 h 1145	≠ 60x8 h 1409	≠ 60x8 h 1541	≠ 60x8 h 1673	≠ 60x8 h 1937	≠ 80x8 h 2201
SCREW-ON POST	≠ 60x8 h 985	≠ 60x8 h 1249	≠ 60x8 h 1381	≠ 60x8 h 1513	≠ 60x8 h 1777	T 50x7 h 2041
WEIGHT kg/m ²	12,20	11,70	11,60	11,40	11,20	11,10
SPAN 1650 dim. module (HxL)	935x1650	1199x1650	1331x1650	1463x1650	1727x1650	1991x1650
BAR mm	25x3	25x3	25x3	25x3	25x3	25x3
POST TO BE CEMENTED	≠ 60x8 h 1145	≠ 60x8 h 1409	≠ 60x8 h 1541	≠ 60x8 h 1673	≠ 60x8 h 1937	≠ 80x8 h 2201
SCREW-ON POST	≠ 60x8 h 985	≠ 60x8 h 1249	≠ 60x8 h 1381	≠ 60x8 h 1513	≠ 60x8 h 1777	T 50x7 h 2041
WEIGHT kg/m ²	14,90	14,50	14,50	14,30	14,10	13,90

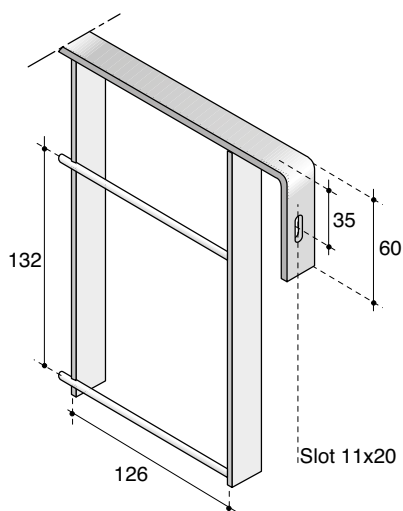
SPAN 2000 dim. module (HxL)	935x2000	1199x2000	1331x2000	1463x2000	1727x2000	1991x2000
BAR mm	25x2	25x2	25x2	25x2	25x2	25x2
POST TO BE CEMENTED	≠ 60x8 h 1145	≠ 60x8 h 1409	≠ 60x8 h 1541	≠ 60x8 h 1673	≠ 60x8 h 1937	≠ 80x8 h 2201
SCREW-ON POST	≠ 60x8 h 985	≠ 60x8 h 1249	≠ 60x8 h 1381	≠ 60x8 h 1513	≠ 60x8 h 1777	T 50x7 h 2041
WEIGHT kg/m ²	11,80	11,40	11,30	11,10	10,90	10,70
SPAN 2000 dim. module (HxL)	935x2000	1199x2000	1331x2000	1463x2000	1727x2000	1991x2000
BAR mm	25x3	25x3	25x3	25x3	25x3	25x3
POST TO BE CEMENTED	≠ 60x8 h 1145	≠ 60x8 h 1409	≠ 60x8 h 1541	≠ 60x8 h 1673	≠ 60x8 h 1937	≠ 80x8 h 2201
SCREW-ON POST	≠ 60x8 h 985	≠ 60x8 h 1249	≠ 60x8 h 1381	≠ 60x8 h 1513	≠ 60x8 h 1777	T 50x7 h 2041
WEIGHT kg/m ²	15,10	14,60	14,50	14,40	14,10	14,00



85



Where special levels of transparency and lightness are required, the **Boxer** fencing with 126×132 mesh is the perfect application. Its format is especially suited for fencing off shopping centres, car dealerships and anyplace that requires both security and transparency.



Mesh mm 126×132

SPAN 2000 dim. module (H×L)	935×2000	1199×2000	1331×2000
BAR mm	25×3	25×3	25×3
POST TO BE CEMENTED	≠ 60×8 h 1145	≠ 60×8 h 1409	≠ 60×8 h 1541
SCREW-ON POST	≠ 60×8 h 985	≠ 60×8 h 1249	≠ 60×8 h 1381
WEIGHT kg/m ²	10,20	9,80	9,70
	1463×2000	1727×2000	1991×2000
	25×3	25×3	25×3
	≠ 60×8 h 1673	≠ 60×8 h 1937	≠ 80×8 h 2201
	≠ 60×8 h 1513	≠ 60×8 h 1777	T 50×7 h 2041
	9,50	9,30	9,20

9. Fencing in pressed grating

• Prexa

88



Fencing in pressed grating

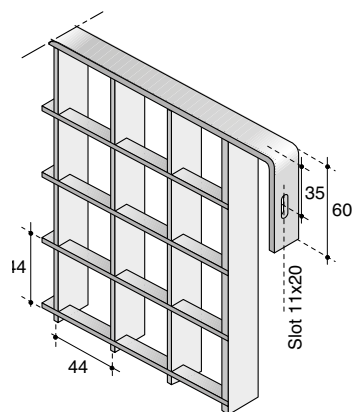
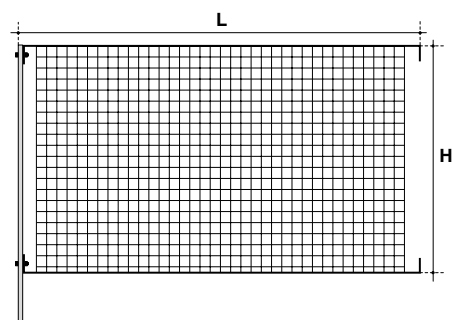
> Prexa



> Complete fencing

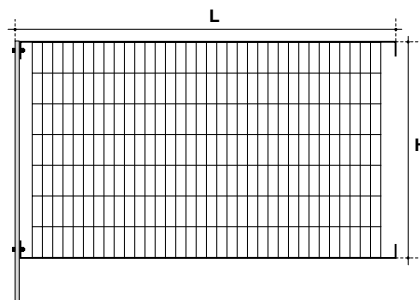
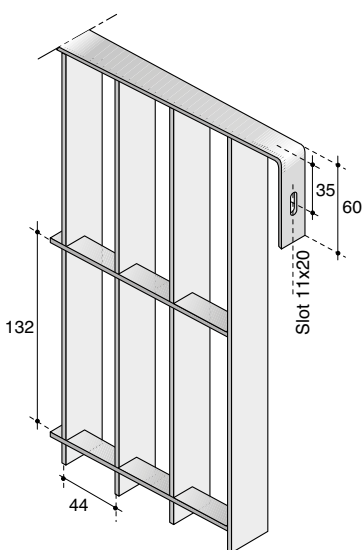
The rationality of the design and the constant search for perfection have led us to create a high-quality product. **Prexa fencing, in pressed grating** formed of punched main bars into which the transverse bars are pressed, is the ideal product for the creation of prestigious works. The main characteristic that makes **Prexa** a symmetrical solution that is harmonious in its shape is the **construction of the panels exclusively with complete meshes**.

Usually **hot dip galvanized**, it can also be provided with an additional finishing treatment: coating with heat-setting polyester powders. **Prexa** thus acquires homogeneity and importance. It fully satisfies the most attentive and demanding clients. **The Prexa fencing is available with any mesh or bar section.**



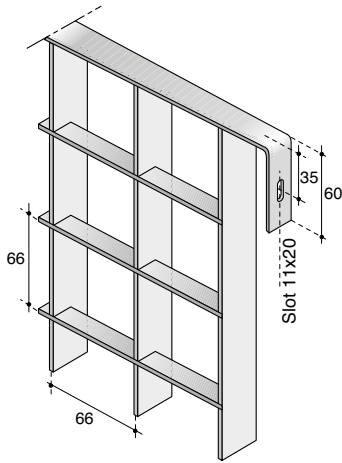
Mesh mm 44x44

SPAN 2000 dim. module (HxL)	935x2000	1199x2000	1331x2000
BARS AND CONNECTIONS mm	25x2 - 10x2	25x2 - 10x2	25x2 - 10x2
POST TO BE CEMENTED	≠ 60x8 h 1145	≠ 60x8 h 1409	≠ 60x8 h 1541
SCREW-ON POST	≠ 60x8 h 985	≠ 60x8 h 1249	≠ 60x8 h 1381
WEIGHT kg/m ²	16,00	15,30	15,10
	1463x2000	1727x2000	1991x2000
	25x2 - 10x2	25x2 - 10x2	25x2 - 10x2
	≠ 60x8 h 1673	≠ 60x8 h 1937	≠ 80x8 h 2201
	≠ 60x8 h 1513	≠ 60x8 h 1777	T 50x7 h 2041
	14,90	14,60	14,40
	935x2000	1199x2000	1331x2000
	25x3 - 10x2	25x3 - 10x2	25x3 - 10x2
	≠ 60x8 h 1145	≠ 60x8 h 1409	≠ 60x8 h 1541
	≠ 60x8 h 985	≠ 60x8 h 1249	≠ 60x8 h 1381
	20,70	20,00	19,70
	1463x2000	1727x2000	1991x2000
	25x3 - 10x2	25x3 - 10x2	25x3 - 10x2
	≠ 60x8 h 1673	≠ 60x8 h 1937	≠ 80x8 h 2201
	≠ 60x8 h 1513	≠ 60x8 h 1777	T 50x7 h 2041
	19,50	19,20	18,90



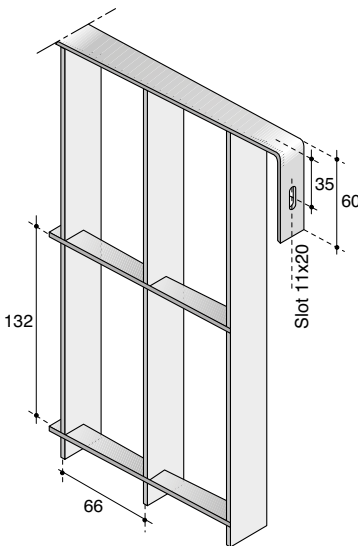
SPAN 2000 dim. module (H×L)	935×2000	1199×2000	1331×2000
BARS AND CONNECTIONS mm	25×2 - 10×2	25×2 - 10×2	25×2 - 10×2
POST TO BE CEMENTED	≠ 60×8 h 1145	≠ 60×8 h 1409	≠ 60×8 h 1541
SCREW-ON POST	≠ 60×8 h 985	≠ 60×8 h 1249	≠ 60×8 h 1381
WEIGHT kg/m ²	13,60	12,90	12,70
	1463×2000	1727×2000	1991×2000
	25×2 - 10×2	25×2 - 10×2	25×2 - 10×2
	≠ 60×8 h 1673	≠ 60×8 h 1937	≠ 80×8 h 2201
	≠ 60×8 h 1513	≠ 60×8 h 1777	T 50×7 h 2041
	12,50	12,20	12,00
	935×2000	1199×2000	1331×2000
	25×3 - 10×2	25×3 - 10×2	25×3 - 10×2
	≠ 60×8 h 1145	≠ 60×8 h 1409	≠ 60×8 h 1541
	≠ 60×8 h 985	≠ 60×8 h 1249	≠ 60×8 h 1381
	18,30	17,60	17,30
	1463×2000	1727×2000	1991×2000
	25×3 - 10×2	25×3 - 10×2	25×3 - 10×2
	≠ 60×8 h 1673	≠ 60×8 h 1937	≠ 80×8 h 2201
	≠ 60×8 h 1513	≠ 60×8 h 1777	T 50×7 h 2041
	17,10	16,70	16,50

Mesh mm 44×132



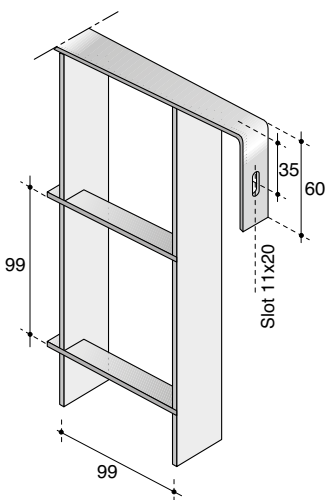
Mesh mm 66×66

SPAN 2000 dim. module (H×L)	935×2000	1199×2000	1331×2000
BARS AND CONNECTIONS mm	25×2 - 10×2	25×2 - 10×2	25×2 - 10×2
POST TO BE CEMENTED	≠ 60×8 h 1145	≠ 60×8 h 1409	≠ 60×8 h 1541
SCREW-ON POST	≠ 60×8 h 985	≠ 60×8 h 1249	≠ 60×8 h 1381
WEIGHT kg/m²	11,60	11,00	10,70
	1463×2000	1727×2000	1991×2000
25×2 - 10×2	25×2 - 10×2	25×2 - 10×2	25×2 - 10×2
≠ 60×8 h 1673	≠ 60×8 h 1937	≠ 80×8 h 2201	≠ 80×8 h 2201
≠ 60×8 h 1513	≠ 60×8 h 1777	T 50×7 h 2041	T 50×7 h 2041
10,50	10,20	10,00	
	935×2000	1199×2000	1331×2000
25×3 - 10×2	25×3 - 10×2	25×3 - 10×2	25×3 - 10×2
≠ 60×8 h 1145	≠ 60×8 h 1409	≠ 60×8 h 1541	≠ 60×8 h 1541
≠ 60×8 h 985	≠ 60×8 h 1249	≠ 60×8 h 1381	≠ 60×8 h 1381
14,90	14,10	13,90	
	1463×2000	1727×2000	1991×2000
25×3 - 10×2	25×3 - 10×2	25×3 - 10×2	25×3 - 10×2
≠ 60×8 h 1673	≠ 60×8 h 1937	≠ 80×8 h 2201	≠ 80×8 h 2201
≠ 60×8 h 1513	≠ 60×8 h 1777	T 50×7 h 2041	T 50×7 h 2041
13,70	13,30	13,10	



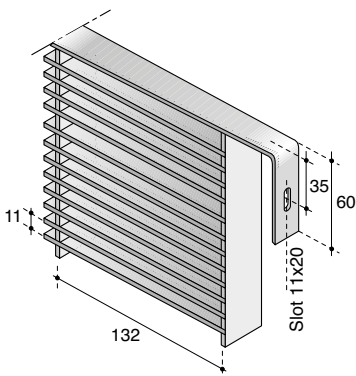
Mesh mm 66×132

SPAN 2000 dim. module (H×L)	935×2000	1199×2000	1331×2000
BARS AND CONNECTIONS mm	25×2 - 10×2	25×2 - 10×2	25×2 - 10×2
POST TO BE CEMENTED	≠ 60×8 h 1145	≠ 60×8 h 1409	≠ 60×8 h 1541
SCREW-ON POST	≠ 60×8 h 985	≠ 60×8 h 1249	≠ 60×8 h 1381
WEIGHT kg/m²	10,40	9,80	9,50
	1463×2000	1727×2000	1991×2000
25×2 - 10×2	25×2 - 10×2	25×2 - 10×2	25×2 - 10×2
≠ 60×8 h 1673	≠ 60×8 h 1937	≠ 80×8 h 2201	≠ 80×8 h 2201
≠ 60×8 h 1513	≠ 60×8 h 1777	T 50×7 h 2041	T 50×7 h 2041
9,30	9,00	8,80	
	935×2000	1199×2000	1331×2000
25×3 - 10×2	25×3 - 10×2	25×3 - 10×2	25×3 - 10×2
≠ 60×8 h 1145	≠ 60×8 h 1409	≠ 60×8 h 1541	≠ 60×8 h 1541
≠ 60×8 h 985	≠ 60×8 h 1249	≠ 60×8 h 1381	≠ 60×8 h 1381
13,70	12,90	12,70	
	1463×2000	1727×2000	1991×2000
25×3 - 10×2	25×3 - 10×2	25×3 - 10×2	25×3 - 10×2
≠ 60×8 h 1673	≠ 60×8 h 1937	≠ 80×8 h 2201	≠ 80×8 h 2201
≠ 60×8 h 1513	≠ 60×8 h 1777	T 50×7 h 2041	T 50×7 h 2041
12,40	12,10	11,90	



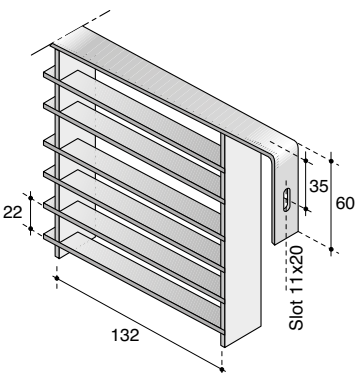
Mesh mm 99×99

SPAN 2000 dim. module (H×L)	935×2000	1199×2000	1331×2000
BARS AND CONNECTIONS mm	25×2 - 10×2	25×2 - 10×2	25×2 - 10×2
POST TO BE CEMENTED	≠ 60×8 h 1145	≠ 60×8 h 1409	≠ 60×8 h 1541
SCREW-ON POST	≠ 60×8 h 985	≠ 60×8 h 1249	≠ 60×8 h 1381
WEIGHT kg/m²	8,70	8,10	7,80
	1463×2000	1727×2000	1991×2000
25×2 - 10×2	25×2 - 10×2	25×2 - 10×2	25×2 - 10×2
≠ 60×8 h 1673	≠ 60×8 h 1937	≠ 80×8 h 2201	≠ 80×8 h 2201
≠ 60×8 h 1513	≠ 60×8 h 1777	T 50×7 h 2041	T 50×7 h 2041
7,70	7,30	7,10	
	935×2000	1199×2000	1331×2000
25×3 - 10×2	25×3 - 10×2	25×3 - 10×2	25×3 - 10×2
≠ 60×8 h 1145	≠ 60×8 h 1409	≠ 60×8 h 1541	≠ 60×8 h 1541
≠ 60×8 h 985	≠ 60×8 h 1249	≠ 60×8 h 1381	≠ 60×8 h 1381
11,00	10,30	9,90	
	1463×2000	1727×2000	1991×2000
25×3 - 10×2	25×3 - 10×2	25×3 - 10×2	25×3 - 10×2
≠ 60×8 h 1673	≠ 60×8 h 1937	≠ 80×8 h 2201	≠ 80×8 h 2201
≠ 60×8 h 1513	≠ 60×8 h 1777	T 50×7 h 2041	T 50×7 h 2041
9,80	9,40	9,20	



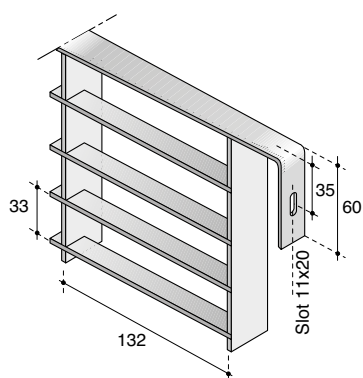
Mesh mm 132x11

SPAN 2000 dim. module (HxL)	935x2000	1199x2000	1331x2000
BARS AND CONNECTIONS mm	25x2 - 10x2	25x2 - 10x2	25x2 - 10x2
POST TO BE CEMENTED	≠ 60x8 h 1145	≠ 60x8 h 1409	≠ 60x8 h 1541
SCREW-ON POST	≠ 60x8 h 985	≠ 60x8 h 1249	≠ 60x8 h 1381
WEIGHT kg/m ²	20,60	20,00	19,70
	1463x2000	1727x2000	1991x2000
	25x2 - 10x2	25x2 - 10x2	25x2 - 10x2
	≠ 60x8 h 1673	≠ 60x8 h 1937	≠ 80x8 h 2201
	≠ 60x8 h 1513	≠ 60x8 h 1777	T 50x7 h 2041
	19,60	19,30	19,10
	935x2000	1199x2000	1331x2000
	25x3 - 10x2	25x3 - 10x2	25x3 - 10x2
	≠ 60x8 h 1145	≠ 60x8 h 1409	≠ 60x8 h 1541
	≠ 60x8 h 985	≠ 60x8 h 1249	≠ 60x8 h 1381
	22,40	21,70	21,40
	1463x2000	1727x2000	1991x2000
	25x3 - 10x2	25x3 - 10x2	25x3 - 10x2
	≠ 60x8 h 1673	≠ 60x8 h 1937	≠ 80x8 h 2201
	≠ 60x8 h 1513	≠ 60x8 h 1777	T 50x7 h 2041
	21,20	20,90	20,60

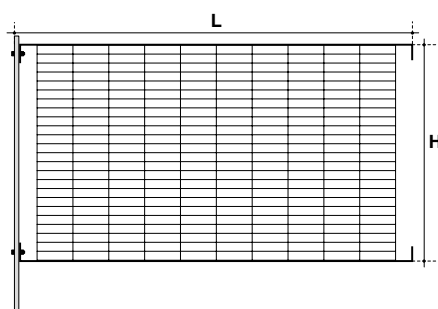


Mesh mm 132x22

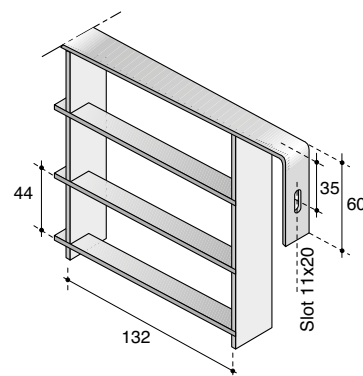
SPAN 2000 dim. module (HxL)	935x2000	1199x2000	1331x2000
BARS AND CONNECTIONS mm	25x2 - 10x2	25x2 - 10x2	25x2 - 10x2
POST TO BE CEMENTED	≠ 60x8 h 1145	≠ 60x8 h 1409	≠ 60x8 h 1541
SCREW-ON POST	≠ 60x8 h 985	≠ 60x8 h 1249	≠ 60x8 h 1381
WEIGHT kg/m ²	13,40	12,70	12,40
	1463x2000	1727x2000	1991x2000
	25x2 - 10x2	25x2 - 10x2	25x2 - 10x2
	≠ 60x8 h 1673	≠ 60x8 h 1937	≠ 80x8 h 2201
	≠ 60x8 h 1513	≠ 60x8 h 1777	T 50x7 h 2041
	12,30	12,00	11,70
	935x2000	1199x2000	1331x2000
	25x3 - 10x2	25x3 - 10x2	25x3 - 10x2
	≠ 60x8 h 1145	≠ 60x8 h 1409	≠ 60x8 h 1541
	≠ 60x8 h 985	≠ 60x8 h 1249	≠ 60x8 h 1381
	14,70	14,10	13,80
	1463x2000	1727x2000	1991x2000
	25x3 - 10x2	25x3 - 10x2	25x3 - 10x2
	≠ 60x8 h 1673	≠ 60x8 h 1937	≠ 80x8 h 2201
	≠ 60x8 h 1513	≠ 60x8 h 1777	T 50x7 h 2041
	13,60	13,30	13,10



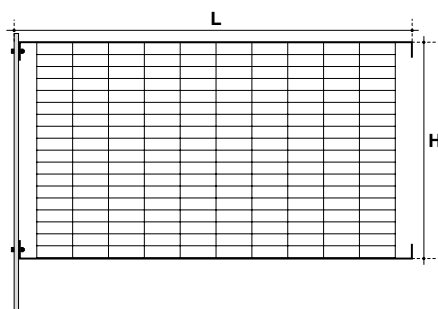
Mesh mm 132x33



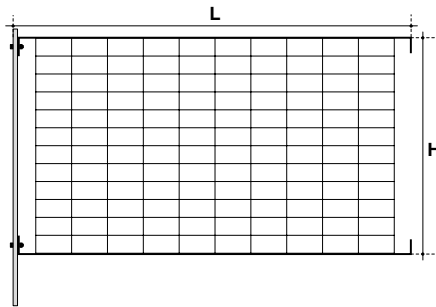
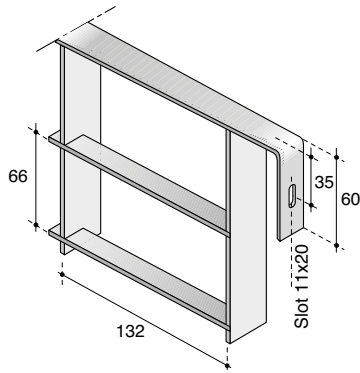
SPAN 2000 dim. module (HxL)	935x2000	1199x2000	1331x2000
BARS AND CONNECTIONS mm	25x2 - 10x2	25x2 - 10x2	25x2 - 10x2
POST TO BE CEMENTED	≠ 60x8 h 1145	≠ 60x8 h 1409	≠ 60x8 h 1541
SCREW-ON POST	≠ 60x8 h 985	≠ 60x8 h 1249	≠ 60x8 h 1381
WEIGHT kg/m²	10,90	10,30	10,00
	1463x2000	1727x2000	1991x2000
	25x2 - 10x2	25x2 - 10x2	25x2 - 10x2
	≠ 60x8 h 1673	≠ 60x8 h 1937	≠ 80x8 h 2201
	≠ 60x8 h 1513	≠ 60x8 h 1777	T 50x7 h 2041
	9,80	9,50	9,30
	935x2000	1199x2000	1331x2000
	25x3 - 10x2	25x3 - 10x2	25x3 - 10x2
	≠ 60x8 h 1145	≠ 60x8 h 1409	≠ 60x8 h 1541
	≠ 60x8 h 985	≠ 60x8 h 1249	≠ 60x8 h 1381
	12,30	11,60	11,40
	1463x2000	1727x2000	1991x2000
	25x3 - 10x2	25x3 - 10x2	25x3 - 10x2
	≠ 60x8 h 1673	≠ 60x8 h 1937	≠ 80x8 h 2201
	≠ 60x8 h 1513	≠ 60x8 h 1777	T 50x7 h 2041
	11,20	10,90	10,70



Mesh mm 132x44

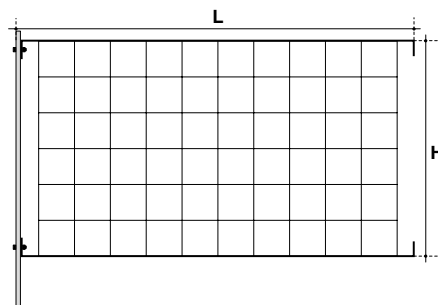
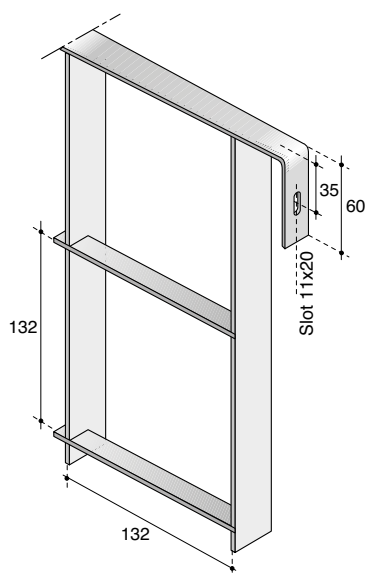


SPAN 2000 dim. module (HxL)	935x2000	1199x2000	1331x2000
BARS AND CONNECTIONS mm	25x2 - 10x2	25x2 - 10x2	25x2 - 10x2
POST TO BE CEMENTED	≠ 60x8 h 1145	≠ 60x8 h 1409	≠ 60x8 h 1541
SCREW-ON POST	≠ 60x8 h 985	≠ 60x8 h 1249	≠ 60x8 h 1381
WEIGHT kg/m²	9,70	9,00	8,80
	1463x2000	1727x2000	1991x2000
	25x2 - 10x2	25x2 - 10x2	25x2 - 10x2
	≠ 60x8 h 1673	≠ 60x8 h 1937	≠ 80x8 h 2201
	≠ 60x8 h 1513	≠ 60x8 h 1777	T 50x7 h 2041
	8,60	8,30	8,10
	935x2000	1199x2000	1331x2000
	25x3 - 10x2	25x3 - 10x2	25x3 - 10x2
	≠ 60x8 h 1145	≠ 60x8 h 1409	≠ 60x8 h 1541
	≠ 60x8 h 985	≠ 60x8 h 1249	≠ 60x8 h 1381
	11,50	10,70	10,50
	1463x2000	1727x2000	1991x2000
	25x3 - 10x2	25x3 - 10x2	25x3 - 10x2
	≠ 60x8 h 1673	≠ 60x8 h 1937	≠ 80x8 h 2201
	≠ 60x8 h 1513	≠ 60x8 h 1777	T 50x7 h 2041
	10,30	9,90	9,70



Mesh mm 132×66

SPAN 2000 dim. module (H×L)	935×2000	1199×2000	1331×2000
BARS AND CONNECTIONS mm	25×2 - 10×2	25×2 - 10×2	25×2 - 10×2
POST TO BE CEMENTED	∅ 60×8 h 1145	∅ 60×8 h 1409	∅ 60×8 h 1541
SCREW-ON POST	∅ 60×8 h 985	∅ 60×8 h 1249	∅ 60×8 h 1381
WEIGHT kg/m²	8,50	7,80	7,60
1463×2000	1727×2000	1991×2000	
25×2 - 10×2	25×2 - 10×2	25×2 - 10×2	
∅ 60×8 h 1673	∅ 60×8 h 1937	∅ 80×8 h 2201	
∅ 60×8 h 1513	∅ 60×8 h 1777	T 50×7 h 2041	
7,40	7,10	6,90	
935×2000	1199×2000	1331×2000	
25×3 - 10×2	25×3 - 10×2	25×3 - 10×2	
∅ 60×8 h 1145	∅ 60×8 h 1409	∅ 60×8 h 1541	
∅ 60×8 h 985	∅ 60×8 h 1249	∅ 60×8 h 1381	
10,30	9,50	9,30	
1463×2000	1727×2000	1991×2000	
25×3 - 10×2	25×3 - 10×2	25×3 - 10×2	
∅ 60×8 h 1673	∅ 60×8 h 1937	∅ 80×8 h 2201	
∅ 60×8 h 1513	∅ 60×8 h 1777	T 50×7 h 2041	
9,00	8,70	8,40	

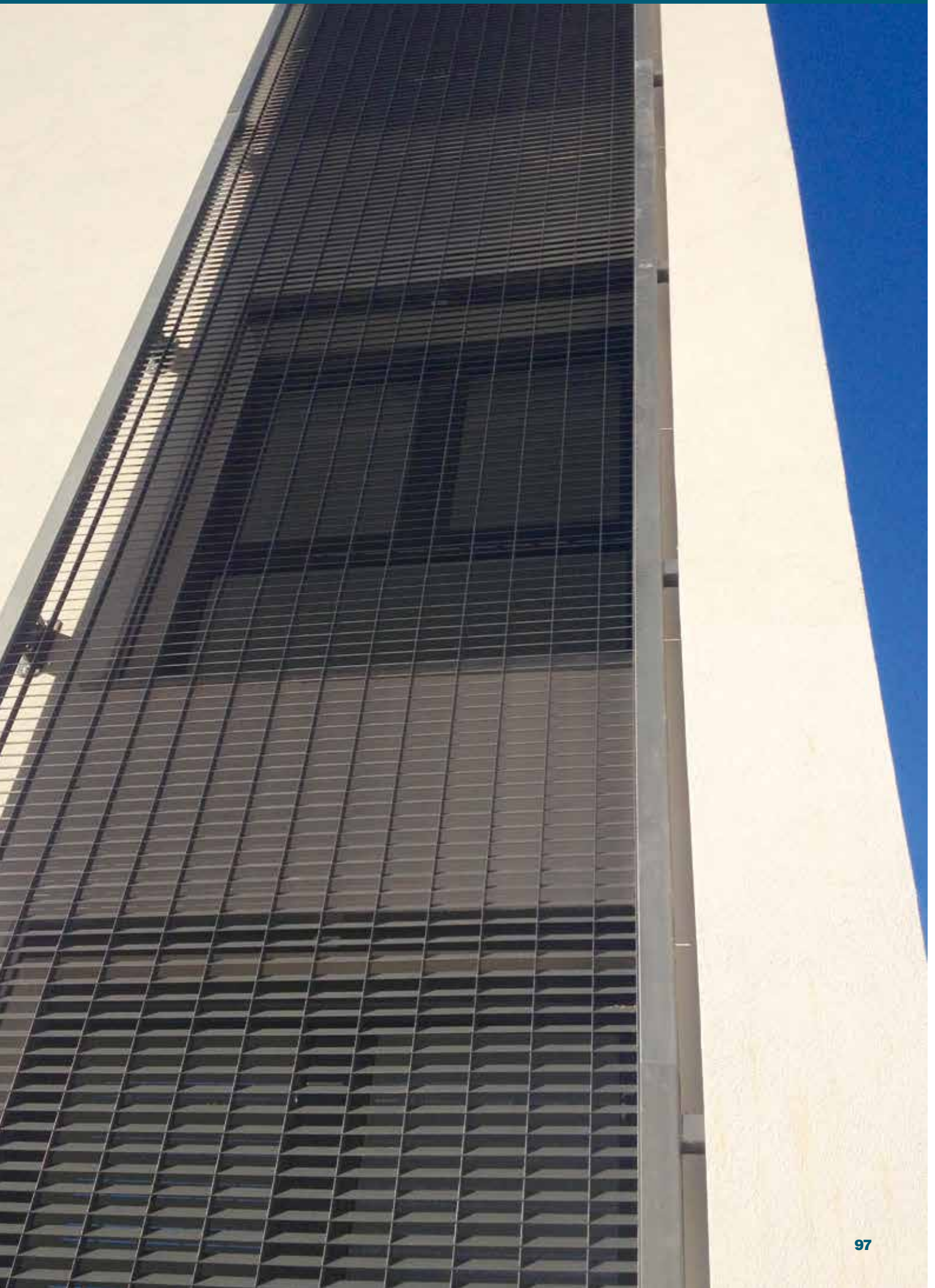


SPAN 2000 dim. module (H×L)	935×2000	1199×2000	1331×2000
BARS AND CONNECTIONS mm	25×2 - 10×2	25×2 - 10×2	25×2 - 10×2
POST TO BE CEMENTED	≠ 60×8 h 1145	≠ 60×8 h 1409	≠ 60×8 h 1541
SCREW-ON POST	≠ 60×8 h 985	≠ 60×8 h 1249	≠ 60×8 h 1381
WEIGHT kg/m ²	7,30	6,60	6,40
	1463×2000	1727×2000	1991×2000
	25×2 - 10×2	25×2 - 10×2	25×2 - 10×2
	≠ 60×8 h 1673	≠ 60×8 h 1937	≠ 80×8 h 2201
	≠ 60×8 h 1513	≠ 60×8 h 1777	T 50×7 h 2041
	6,20	5,90	5,60
	935×2000	1199×2000	1331×2000
	25×3 - 10×2	25×3 - 10×2	25×3 - 10×2
	≠ 60×8 h 1145	≠ 60×8 h 1409	≠ 60×8 h 1541
	≠ 60×8 h 985	≠ 60×8 h 1249	≠ 60×8 h 1381
	9,10	8,30	8,00
	1463×2000	1727×2000	1991×2000
	25×3 - 10×2	25×3 - 10×2	25×3 - 10×2
	≠ 60×8 h 1673	≠ 60×8 h 1937	≠ 80×8 h 2201
	≠ 60×8 h 1513	≠ 60×8 h 1777	T 50×7 h 2041
	7,80	7,50	7,20

Mesh mm 132×132

10. Sun screen fencing

• Wing	98
• Open Wing	99
• Wall	100
• Screen	102



Sun screen fencing

> Wing

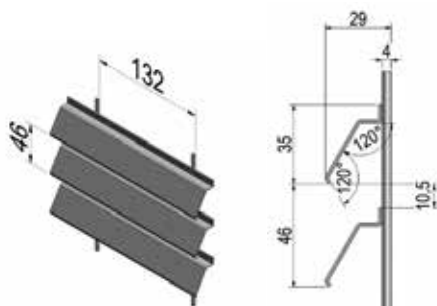


Type of grating: Forge-welded

Structure: Z-shaped profiles and smooth rods

Materials and Finishes: S 235 JR steel (iron), galvanised and coated

Dimensions: Available in standard or custom-sized panels



Mesh mm 46×132 wing

BEARING BAR mm	47×1,5
CROSS BAR mm	∅ 4
GALVANIZED WEIGHT kg/m ²	17,75
GRATINGS DIMENSIONS mm	6100×1584

Sun screen fencing

> Open Wing

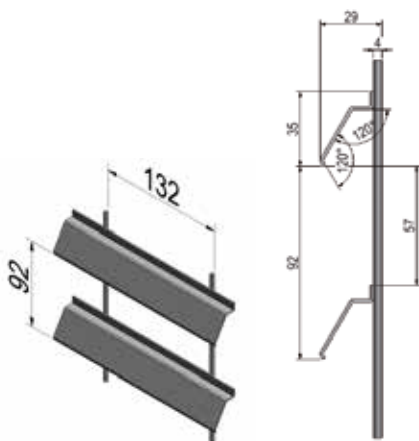


Type of grating: Forge-welded

Structure: Z-shaped profiles and smooth rods

Materials and Finishes: S 235 JR steel (iron), galvanised and coated

Dimensions: Available in standard or custom-sized panels



BEARING BAR mm	47×1,5
CROSS BAR mm	∅ 4
GALVANIZED WEIGHT kg/m ²	8,01
GRATINGS DIMENSIONS mm	6100×1502

Mesh mm 92×132 open wing

Sun screen fencing

> Wall

Wall fence

A fence with inclined plates built with the typical precision and regularity of criss-cross gratings. The fact that it limits visibility makes this product ideal for protecting privacy. This product is particularly suitable for curtain walls and sun screens. Available in two versions: flush or protruding.

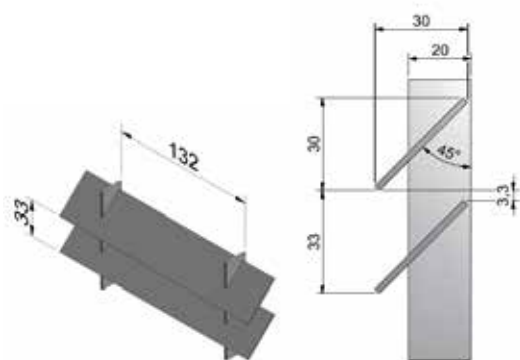


Type of grating: Criss-cross pressure-locked, reinforced with wire welding

Structure: Flat profiles

Material: S 235 JR steel (iron), galvanised and coated
 Cor-ten steel (Vanadium steel) Oxidised
 Stainless steel, pickled and polished
 Aluminium

Dimensions: Thanks to its high versatility, the product can be mounted rapidly with custom dimensions depending on customer requirements



BEARING BAR mm	20×2
TRANSVERSE BAR mm	40×2
EDGING BAR mm	50×4
GALVANIZED WEIGHT kg/m ²	21,62

Available in several combinations of plates and meshes

Mesh mm 132×33 protruding wall



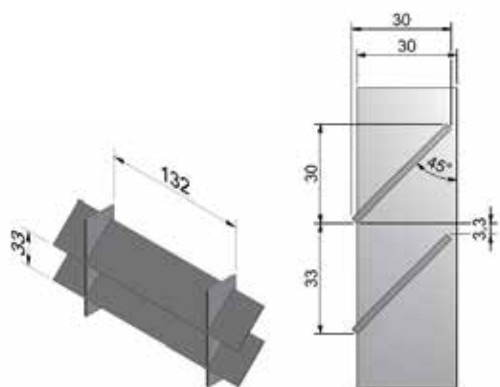
Type of grating: Criss-cross pressure-locked, reinforced with wire welding

Structure: Flat profiles

Material: S 235 JR steel (iron), galvanised and coated

Dimensions: Thanks to its high versatility, the product can be mounted rapidly with custom dimensions depending on customer requirements

10.



BEARING BAR mm	30×2
TRANSVERSE BAR mm	40×2
EDGING BAR mm	50×4
GALVANIZED WEIGHT kg/m ²	22,8

Available in several combinations of plates and meshes

Mesh mm 132×33 flush wall

Sun screen fencing

> Screen



Screen fence

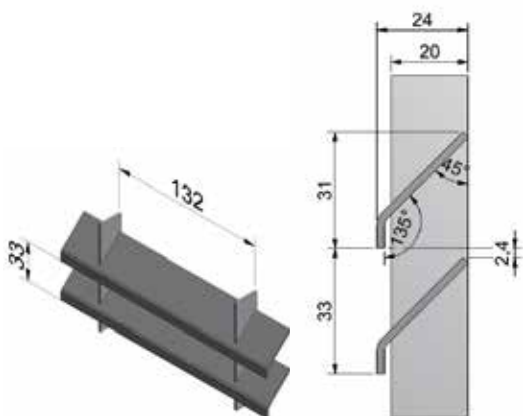
A criss-cross grating fence, made up of vertical plates inserted into L-shaped profiles, which create a shield that limits visibility and the view within the fenced-off area, enhancing the privacy inside. It can be used for making sun screens.

Type of grating: Criss-cross pressure-locked, reinforced with wire welding

Structure: L-shaped flat profiles

Material: S 235 JR steel (iron), galvanised and coated
 Cor-ten steel (vanadium steel), oxidised
 Stainless steel, pickled and polished
 Aluminium

Dimensions: Thanks to its high versatility, the product can be mounted rapidly with custom dimensions depending on customer requirements



BEARING BAR mm	20×2
TRANSVERSE BAR mm	40×2
EDGING BAR mm	50×4
GALVANIZED WEIGHT kg/m ²	21,62

Available in several combinations of plates and meshes

Mesh mm 132×33 screen

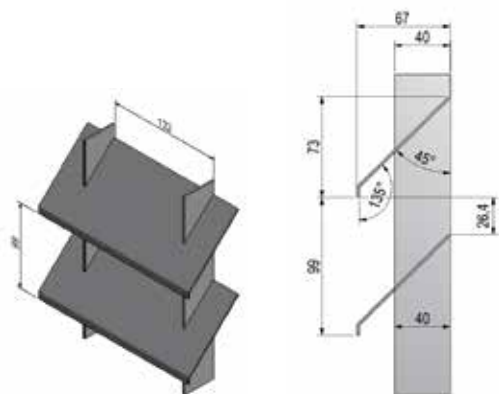


Type of grating: Criss-cross pressure-locked, reinforced with wire welding

Structure: L-shaped flat profiles

Material: S 235 JR steel (iron), galvanised and coated
 Cor-ten steel (vanadium steel), oxidised
 Stainless steel, pickled and polished
 Aluminium

Dimensions: Thanks to its high versatility, the product can be mounted rapidly with custom dimensions depending on customer requirements



BEARING BAR mm	40x2
CROSS BAR mm	105x2
EDGING BAR mm	70x4
GALVANIZED WEIGHT kg/m ²	20,44

Mesh mm 132x99 gigant screen

11. Fencing

• Easy	106
• Style	116
• Lancer	117



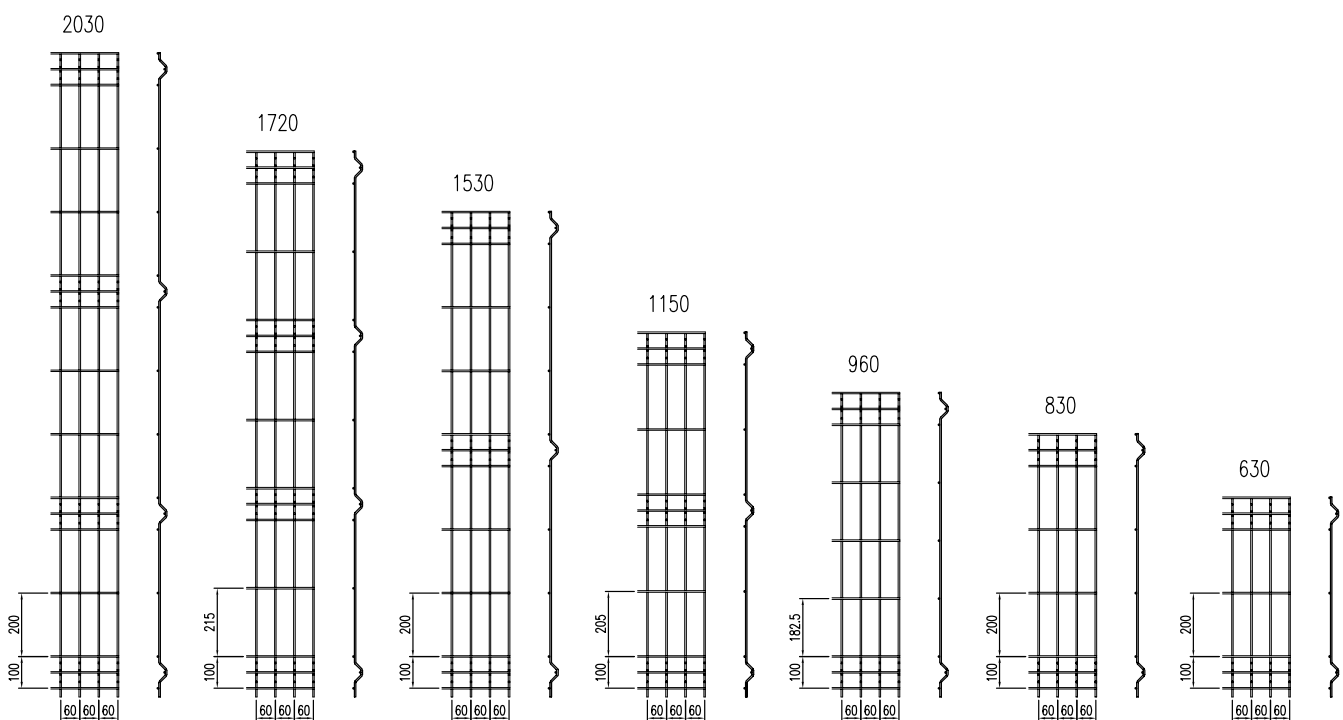
Fencing

> Easy



Modular panels for outdoor fencing made of forge-welded mesh with diameter 4.8 mm pre-galvanised wire, bevelled along the edges before being worked to prevent pores and burrs that can be dangerous when touched. The panel has longitudinal folds to make the system sturdier and more rigid. Its application is suitable for delimiting perimeters of **industrial areas, public parks and private buildings.**

HEIGHT mm	LENGTH mm	NO. FOLDS	MESH mm	CODE
630	2045	2	60×200	1920
830	2045	2	60×200	1921
960	2045	2	60×182,5	1922
1150	2045	3	60×205	1923
1530	2045	3	60×200	1924
1720	2045	4	60×215	1925
2030	2045	4	60×200	1926



Easy mm 60×200

All the panels are coated with epoxy powders for outdoor use. On request panels with H 2430 - H 1230 - H 960 can be made, with 3 reinforcement folds.



Easy is the new modular outdoor fencing system designed and manufactured by Gridiron for meeting the growing demand for straightforward and economical products.

With this system, Gridiron has created a product that satisfies the demands of the market and stands out for its quality and the care devoted to finishing and details – like all the company's products.

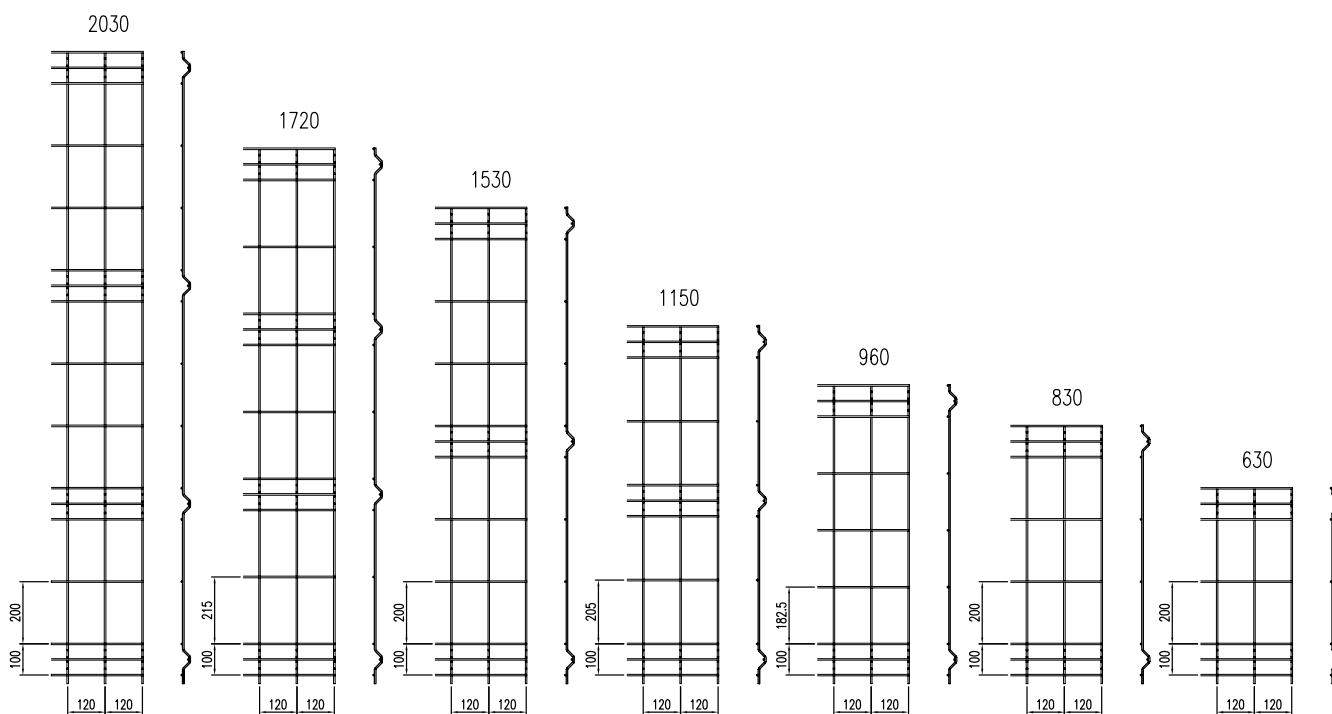
Easy is a forge-welded mesh fence with longitudinal reinforcement folds supported by tubular posts and the relative mounting system. It is a very easy product to install that adapts to various boundary solutions and can also be customised in terms of finishes.

Modular panels for outdoor fencing made of forge-welded mesh with diameter 4.8 mm pre-galvanised wire, bevelled along the edges before being worked to prevent pores and burrs that can be dangerous when touched.

The panel has longitudinal folds to make the system sturdier and more rigid.

Its application is suitable for delimiting the perimeter of **solar parks and agricultural zones** where the main aim of the fencing is to create a boundary for the area involved.

HEIGHT mm	LENGTH mm	NO. FOLDS	MESH mm	CODE
630	2045	2	60×200	1930
830	2045	2	120×200	1931
960	2045	2	120×182,5	1932
1150	2045	3	120×205	1933
1530	2045	3	120×200	1934
1720	2045	4	120×215	1935
2030	2045	4	120×200	1936



Easy mm 120×200

All the panels are coated with epoxy powders for outdoor use. On request panels with H 2430 - H 1230 - H 960 can be made, with 3 reinforcement folds.

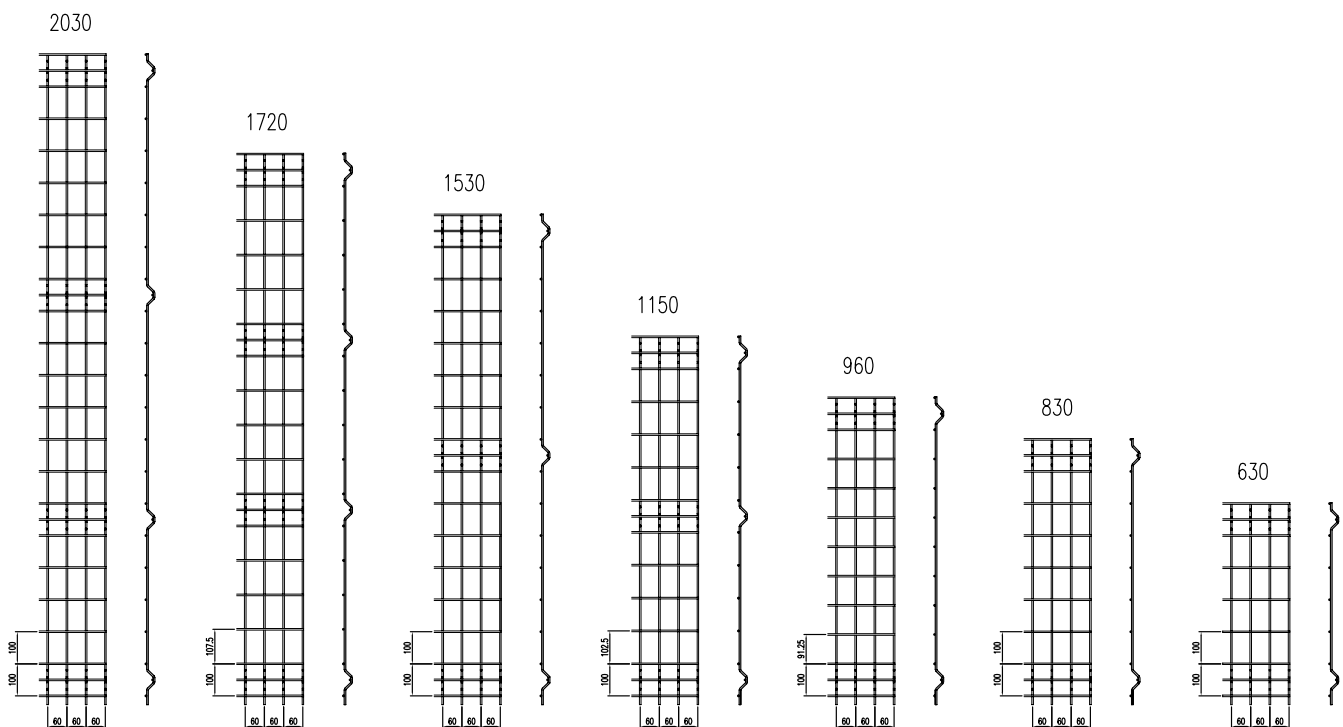


Modular panels for outdoor fencing made of forge-welded mesh with diameter 4.8 mm pre-galvanised wire, bevelled along the edges before being worked to prevent pores and burrs that can be dangerous when touched.

The panel has longitudinal folds to make the system sturdier and more rigid.

Its application is suitable for delimiting the perimeter of **civil and industrial buildings** where sturdiness and security are priorities.

HEIGHT mm	LENGTH mm	NO. FOLDS	MESH mm	CODE
630	2045	2	60×100	1940
830	2045	2	60×100	1941
960	2045	2	60×91,25	1942
1150	2045	3	60×102,5	1943
1530	2045	3	60×100	1944
1720	2045	4	60×107,5	1945
2030	2045	4	60×100	1946



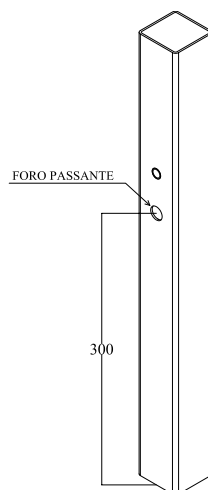
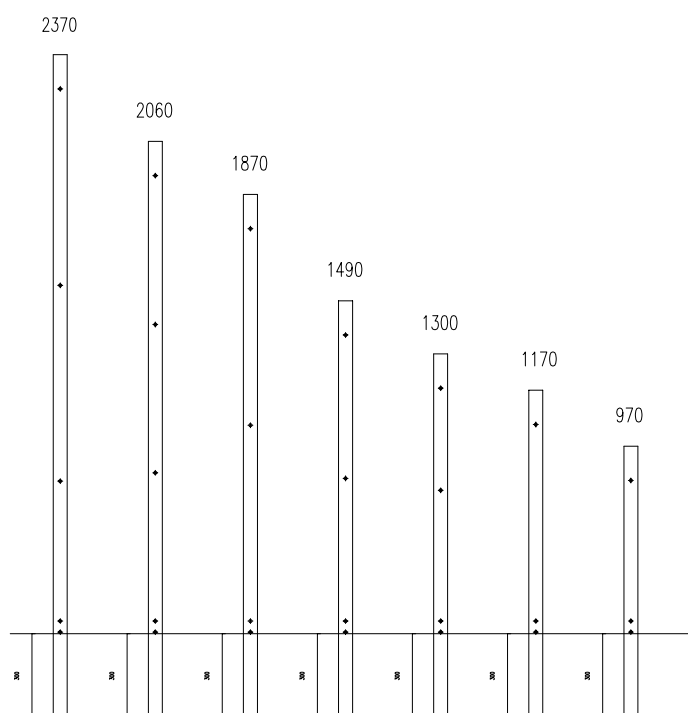
Easy mm 60×100

All the panels are coated with epoxy powders for outdoor use. On request panels with H 2430 - H 1230 - H 960 can be made, with 3 reinforcement folds.



Easy posts to be cemented are made of pre-drilled 2 mm-thick 50×50 mm tubes, into which threaded anti-rip galvanised inserts are fitted which are configured for being buried by 300 mm in the lower part indicated by the presence of a pass-through hole. The pass-through hole is used to align the post on the ground by means of a pin. The posts are configured for installing **Easy** panels and are **equipped with the relative mounting system**.

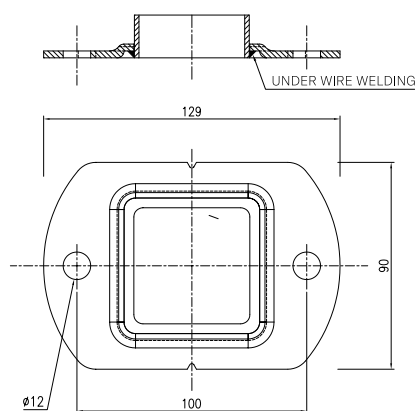
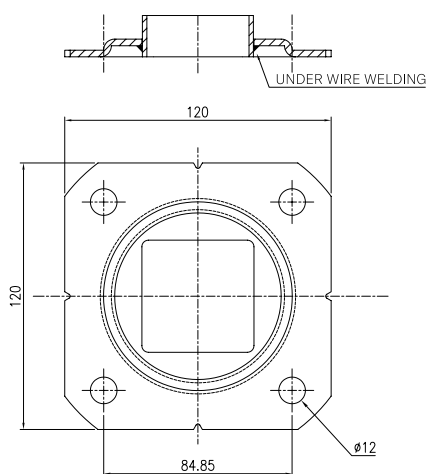
PANEL HEIGHT mm	POST HEIGHT mm	NO. HOLES	CODE
630	970	2+passante	1920P
830	1170	2+passante	1921P
960	1300	3+passante	1922P
1150	1490	3+passante	1923P
1530	1870	3+passante	1924P
1720	2060	4+passante	1925P
2030	2370	4+passante	1926P



Easy Posts to be cemented

Custom-size posts that adapt to height differences and corner posts can both be made on request.

Easy bolt-down posts are made of a 2 mm-thick 50×50 tube welded at the lower end to a plate drilled with two or four holes, respectively 3 mm and 5 mm thick. The weld is made under the plate, that is, where the plate rests against the wall, so that it cannot be seen. The plate has notches which can be used to align it on the ground when installing the **Easy** system. The post is pre-drilled and has galvanised anti-rip threaded inserts fitted inside it. The posts are configured for installing **Easy** panels and are **equipped with the relative mounting system**.

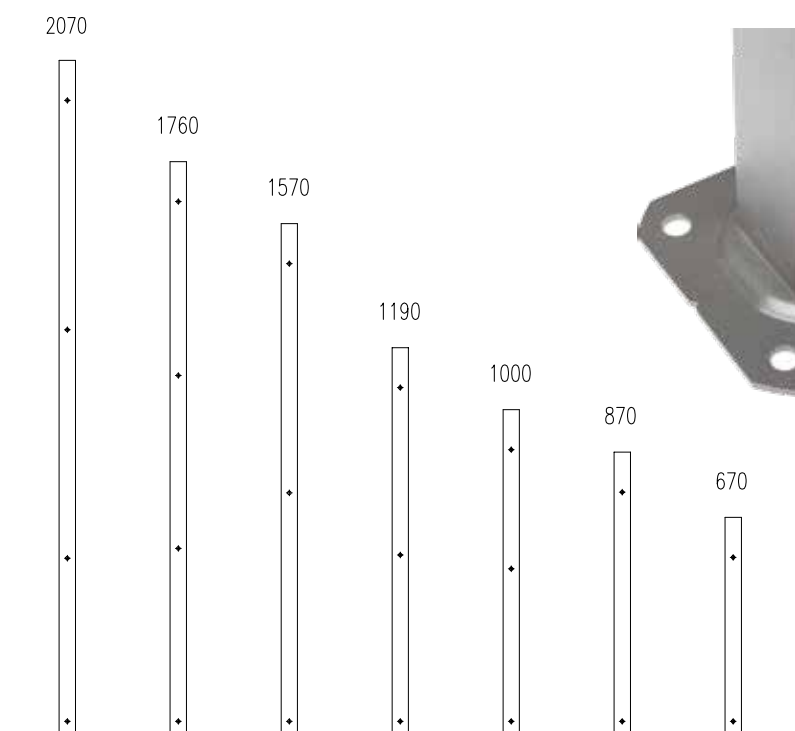


Screw-on post 2 holes

PANEL HEIGHT mm	POST HEIGHT mm	NO. HOLES	CODE
630	670	2	1920TR
830	870	2	1921TR
960	1000	3	1922TR
1150	1190	3	1923TR
1530	1570	3	1924TR
1720	1760	4	1925TR
2030	2070	4	1926TR

Screw-on post 4 holes

PANEL HEIGHT mm	POST HEIGHT mm	NO. HOLES	CODE
630	670	2	1920TQ
830	870	2	1921TQ
960	1000	3	1922TQ
1150	1190	3	1923TQ
1530	1570	3	1924TQ
1720	1760	4	1925TQ
2030	2070	4	1926TQ



Easy Bolt-down posts

Custom-size posts that adapt to height differences and corner posts can both be made on request.



> Mounting diagram

All **Easy** posts are equipped with the relative mounting system. All the components are supplied for the single post in bags containing: cap-blocks-anchor bolts-screws-screw caps-wedges-nut caps, in the quantities necessary for mounting each single and specific post used. Templates and Allen keys for mounting the components will be supplied with the system.

Cap: made of black glass-filled polypropylene, it has 3 hooks designed so that the panel can be hung up during installation by a single operator.

Blocks: made of black nylon, they have horizontal and vertical cavities arranged for slotting in, supporting and fastening the panels on both the vertical and longitudinal wires, thus preventing them from moving around.

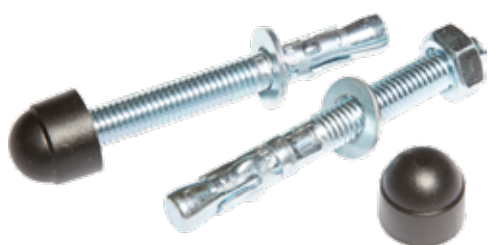
Screws: metric with hex head, they are used to fasten the blocks to the post through the pre-installed anti-rip threaded inserts.

Screws caps: made of black nylon, they are designed to cover the head of the hex head screw and make the block completely uniform.

Anchor bolts: NV 10×90 made of AISI 304 stainless steel with galvanised steel nut and washer.

Nut caps: made of black polyethylene, they COVER the nut of the anchor bolt and make the entire system look neat and visually appealing.

Wedge: made of polyethylene, it is designed to add thickness for levelling the post on the ground.



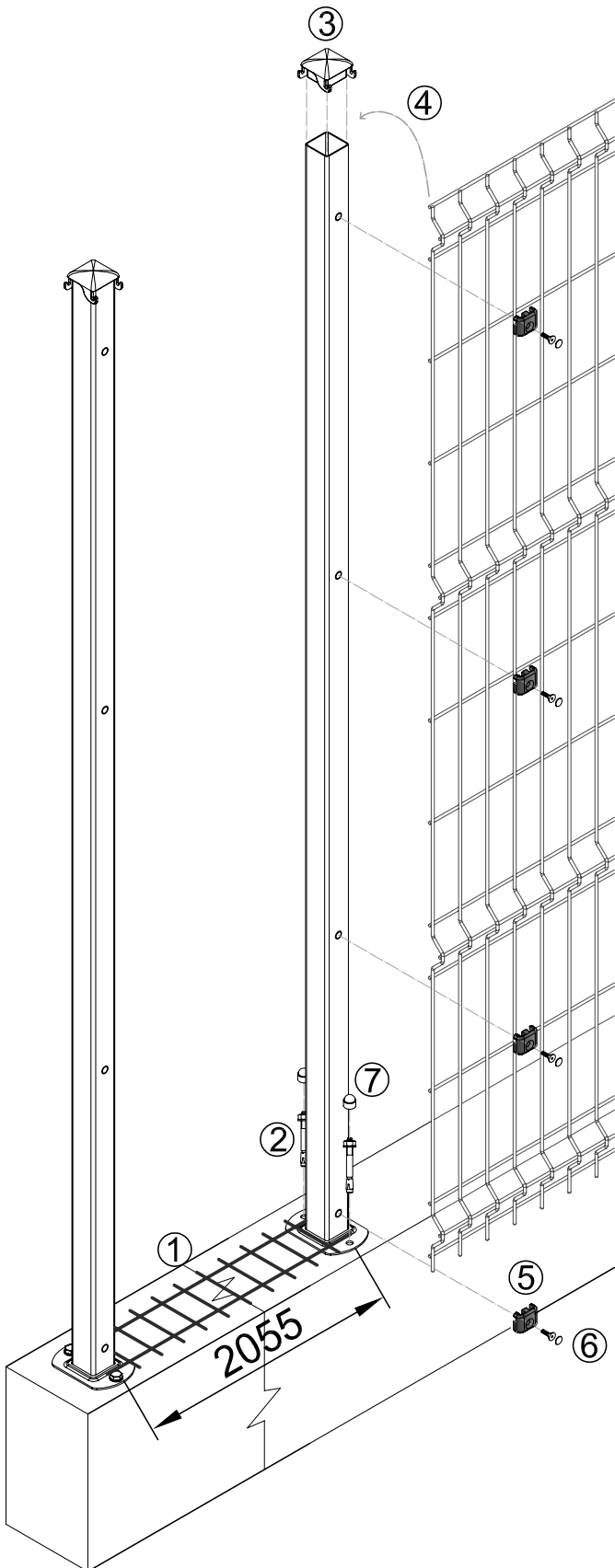
ACCESSORY	CODE
Cap	1920A1
Blocks	1920A2
Screws	1920A3
Screw caps	1920A4
Anchor bolts	1920A5
Nut caps	1920A6
Wedge	1920A7



Easy Mounting system



> Mounting diagram



1. Place the template on the ground to find the proper positioning of the posts with a 2055 mm centre-to-centre distance.
2. Fasten the posts to the ground with the anchor bolts, using the holes already drilled into the plates. If posts to be cemented are used, insert a pin through the pass-through hole to find the correct alignment and then use cement.
3. Insert the cap on the upper end of the post.
4. Attach the panel onto the hooks present on the cap.
5. Fasten the blocks with the screws to the post in the respective pre-drilled holes.
6. Insert the screw caps onto the screws.
7. Insert the nut caps onto the nuts of the anchor bolt.



Gates

> Easy



The **Easy** system also includes CE-marked pedestrian and vehicle gateways. The frame is made of a 2 mm-thick 40×40 mm tubular structure. The filling consists of a forge-welded mesh with 50×50×4 mm mesh size. All gates are configured for and equipped with a manual lock.



Pedestrian gate

COLUMN mm	DIMENSIONS mm	CODE
50×50	1000×1000	1950
50×50	1000×1250	1951
50×50	1000×1500	1952
60×60	1000×1750	1953
60×60	1000×2000	1954
60×60	1000×2250	1955
60×60	1000×2500	1956



Vehicle gateway

COLUMN mm	DIMENSIONS mm	CODE
50×50	2000×1000	1960
50×50	2000×1250	1961
50×50	2000×1500	1962
60×60	2000×1750	1963
60×60	2000×2000	1964
100×100	3000×1000	1965
100×100	3000×1250	1966
100×100	3000×1500	1967
100×100	3000×1750	1968
100×100	3000×2000	1969
100×100	4000×1000	1970
100×100	4000×1250	1971
100×100	4000×1500	1972
100×100	4000×1750	1973
100×100	4000×2000	1974



> Finishes

The **Easy** system is coated with epoxy-polyester powders for outdoors which create a protective film over the entire system, making it resistant to corrosion in the various weather conditions.

Standard colours

RAL 6005 Green
Anthracite Grey

Other colours on request

RAL 1021 Yellow
RAL 7035 Light Grey
RAL 9010 White
RAL 9005 Black
Rust Effect

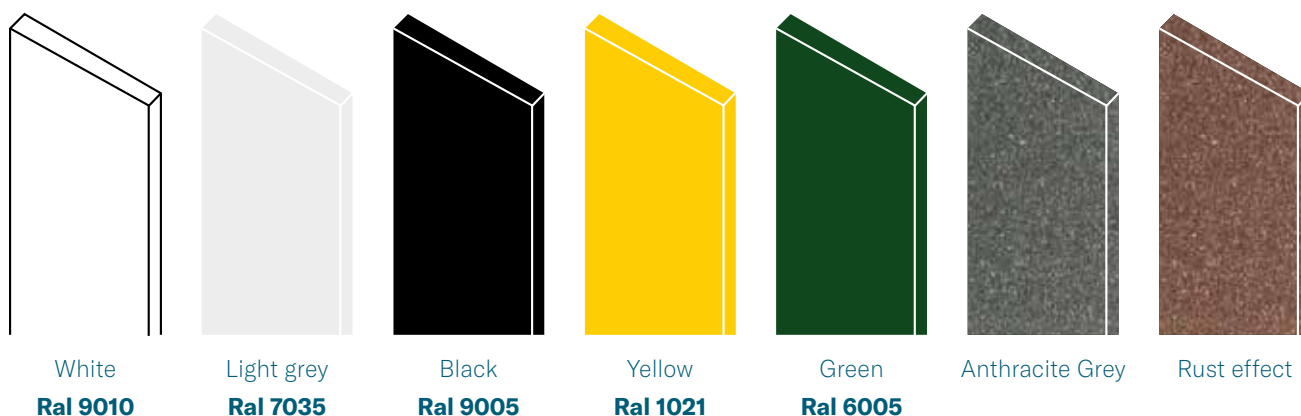
Other colours only on request.

Panels can be made in the following materials:

CORTEN-A: a material that is widely used in architecture for its aesthetic qualities, it is characterised by a rusty colour determined by the material's chemical reaction with atmospheric agents.

GALVALID®: the GALVALID® coating is an alloy made up of 95% zinc and 5% aluminium (zinc-rich or triple galvanisation) that guarantees high protection of the wire against atmospheric agents.

AISI 304L and 306L STAINLESS STEEL and SUPERNOVA/A: recommended in the presence of particularly corrosive atmospheric agents such as salt fog.



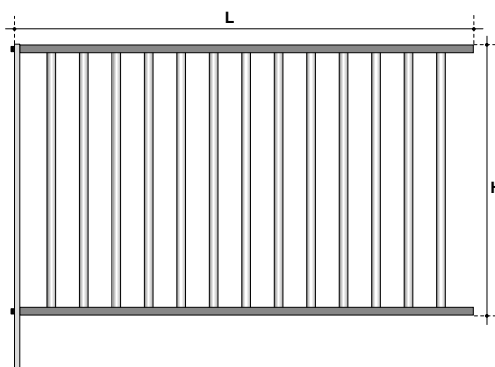
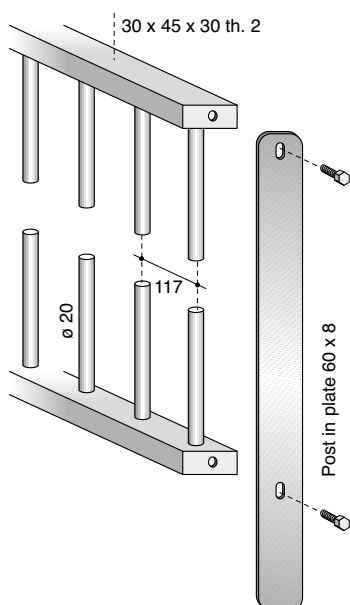
Fencing

> Style



Linear, simple and traditional, the **Style** and **Lancer** fencing are made of S235JR steel.

Style, Style, hot dip galvanized, is constructed with round tube and edged with U-shaped profiles of 30×45×30 mm, which at the top are always closed, while vertical tubes pass through the lower part.

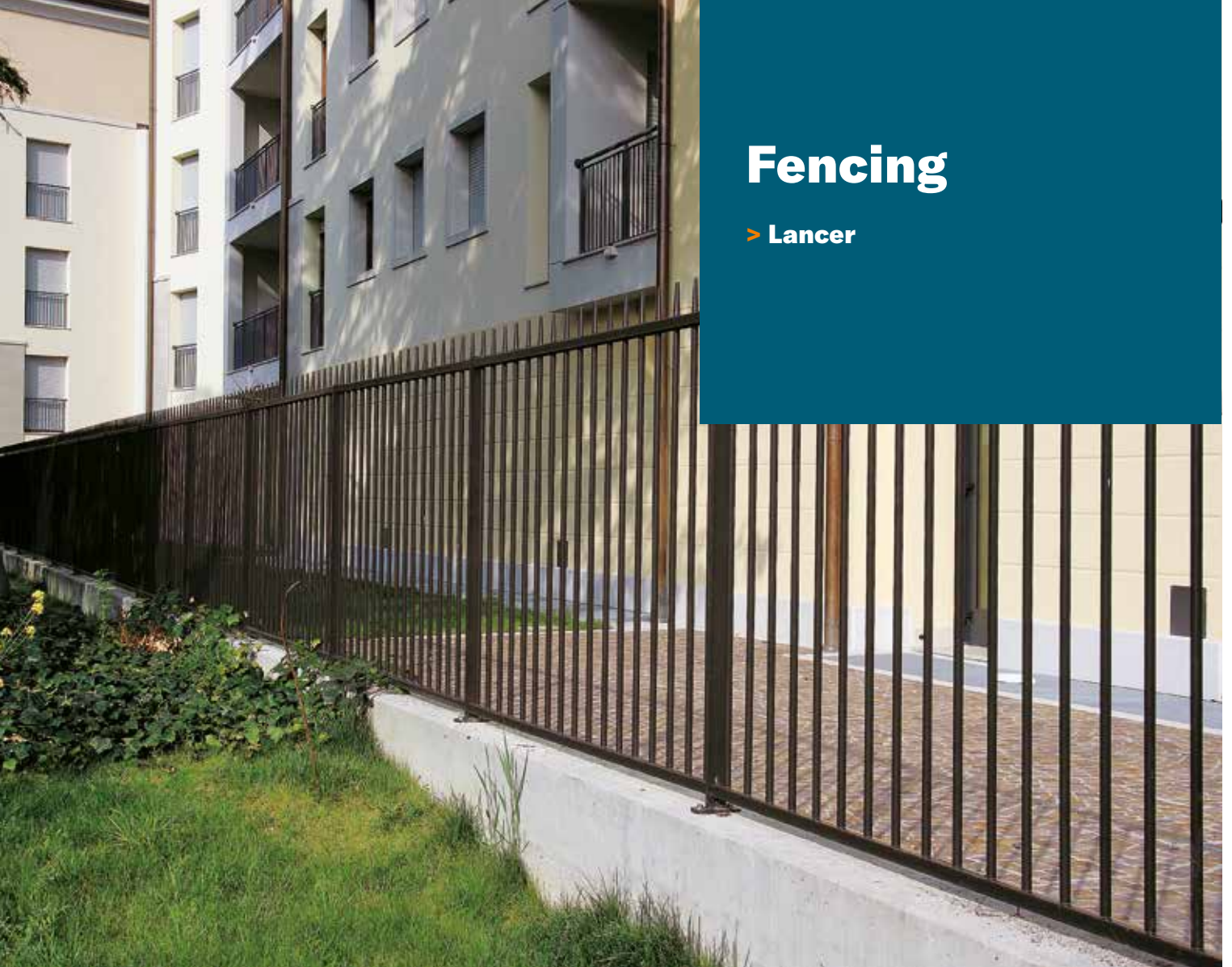


SPAN 2000 dim. module (HxL)	930×2000	1230×2000	1330×2000	1430×2000
POST TO BE CEMENTED	≠ 60×8 h 1140	≠ 60×8 h 1440	≠ 60×8 h 1540	≠ 60×8 h 1640
SCREW-ON POST	≠ 60×8 h 980	≠ 60×8 h 1280	≠ 60×8 h 1380	≠ 60×8 h 1480
WEIGHT kg/m ²	11,80	10,90	10,60	10,30

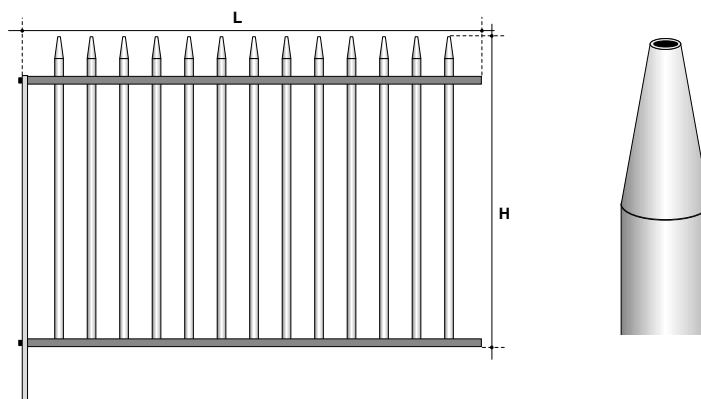
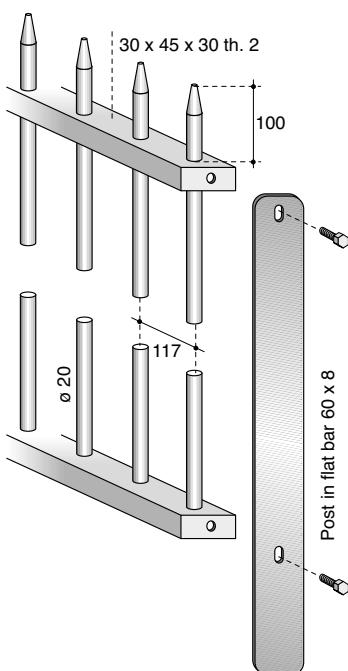
Fencing Style

Fencing

> Lancer



The **Lancer** fencing is structurally the same as the **Style** fencing. The only difference is the top of the Ushaped profiles, from which the conical ends protrude. Both are suitable for residential settings. **Style** is preferred for its simplicity, while **Lancer** in its uniqueness assumes a more protective appearance.



SPAN 2000 dim. module (HxL)	930x2000	1230x2000	1330x2000	1430x2000
POST TO BE CEMENTED	≠ 60x8 h 1140	≠ 60x8 h 1440	≠ 60x8 h 1540	≠ 60x8 h 1640
SCREW-ON POST	≠ 60x8 h 980	≠ 60x8 h 1280	≠ 60x8 h 1380	≠ 60x8 h 1480
WEIGHT kg/m ²	11,80	10,90	10,60	10,30

Fencing Lancer

12. Accessories for fencing and installation

- Posts and installation systems

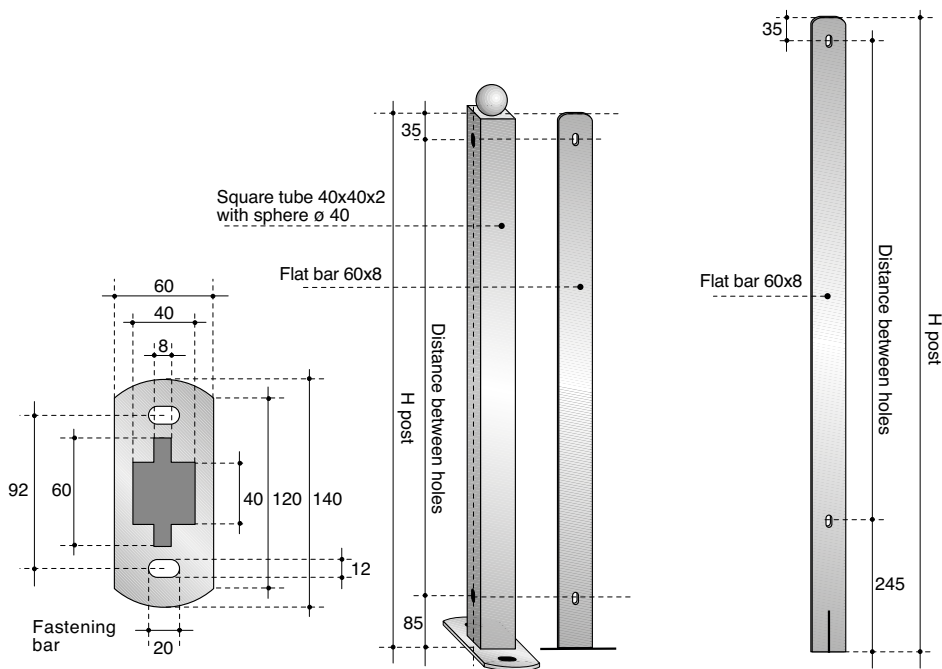
120



Accessories for fencing

- > Posts
- > Installation systems

Gridiron supplies not only standard fencing, but above all finished fencing with the necessary custom size panels, special posts for the beginning and end of sections or corner posts, stainless steel bolts and anti-theft. We are able to assist the client completely from the design phase, to measurements at the worksite, all the way to installation. This ensures complete service that optimizes the supply and conserves the appearance of the fencing over time.



Screw-on post

H PANEL mm	935	1199	1331	1463	1727	1991
H SCREW-ON POST	985	1249	1381	1513	1777	2041
SPACE BETWEEN HOLES mm	865	1129	1261	1393	1657	1921

• "T" 50x7

Cemented post

H PANEL mm	935	1199	1331	1463	1727	1991
H CEMENTED POST	1145	1409	1541	1673	1937	2201*
SPACE BETWEEN HOLES mm	865	1129	1261	1393	1657	1921

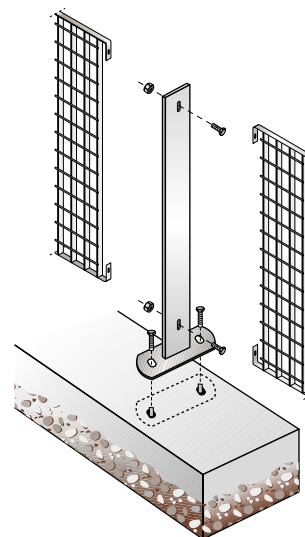
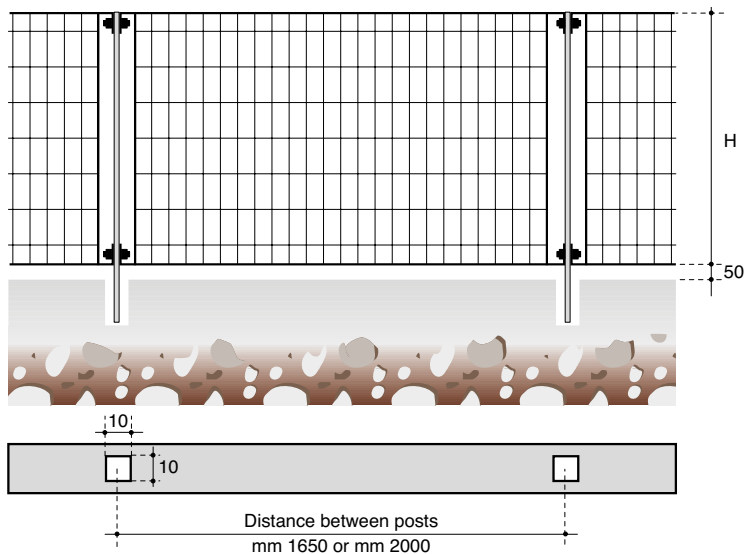
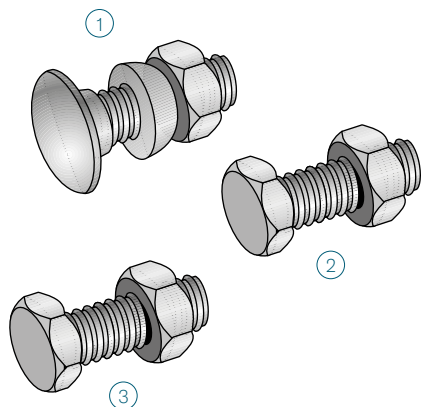
* Flat 80x8



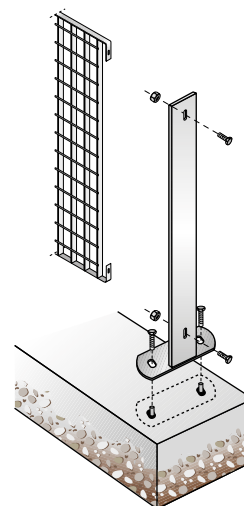
> Bolts

Gridiron fencing panels are fastened to the posts with bolts that are galvanized, in stainless steel or in anti-unscrewing stainless steel, at the client's discretion.

- ① Anti-unscrewing bolt in stainless steel
- ② Stainless steel bolt
- ③ Galvanized bolt

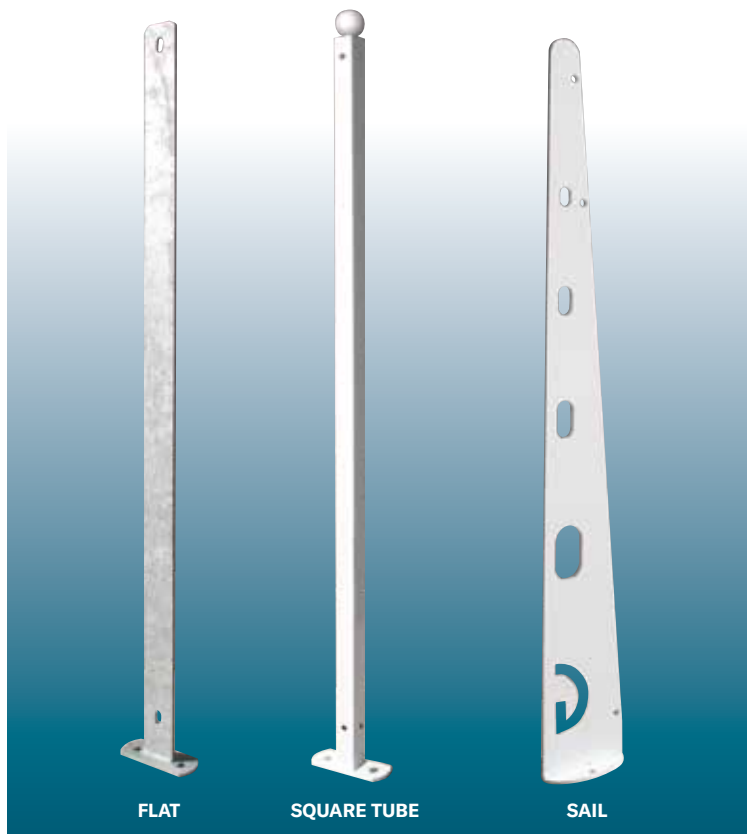


Screw-on post



"Crippled" screw-on post

for beginning and end of fencing section



Various types of post

13. Custom size gates



Custom size gates



> Gridiron gate design solutions

All fences require openings to allow vehicles or pedestrians to pass through. Each situation has unique requirements which cannot always be satisfied by using standard details. This is why Gridiron offers a **wide range of custom size gates**, with models being supplied with single or double leaves, with sliding guides and also innovative solutions without guides.

Gates are manufactured after the production of a detailed design and technical drawing which defines the basic and customized features of each individual application. This is a fundamental element in producing a precise and successful construction solution.

> EC marking

The protection of the end consumer has always been a high priority for Gridiron in the manufacturing process for each of the whole range of items the company produces. Since 1979, the production of gates has been the focus of particularly careful attention and has been one of the strengths in the history of the company.

The Construction Products Directive 89/106/EEC has given us the opportunity to certify a line of products, specifically gates, which have always been a prime element of our production.

We take great satisfaction from the fact that in order to achieve this certification, Gridiron only needed to complete the bureaucratic procedures, since from a production point of view we were already in line with the requirements of the standards and current directives.

> The construction

The construction of Gridiron custom size gates comprises entirely of steel hollow sections, in a variety of sizes, selected according to the dimensions of the gates themselves. Internally, various types of panelling can be utilized; from wide-mesh grating, which may be selected to offer continuity to the adjacent fencing installed on the perimeter walls; to dense grating with mesh 132×11; or to perforated or solid sheet metal, in order to meet the safety requirements of moving gates, as set out in the new standards on EC marking. Custom size gates are always hot dip galvanized, which ensures a high quality and durable finish.

> The movement rack

Available as an option where sliding gates are motorized, it is manufactured from drawn steel.

It is fastened to the hollow sections at the base by means of M8×60 stainless steel through bolts and 27 mm stainless steel spacers.

The teeth, which are on 30×12 mm spacings, face downward, and are therefore suitable for most motors on the market.

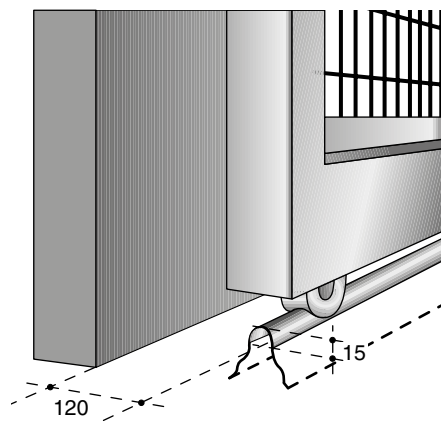
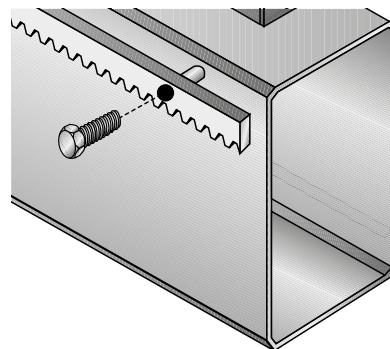
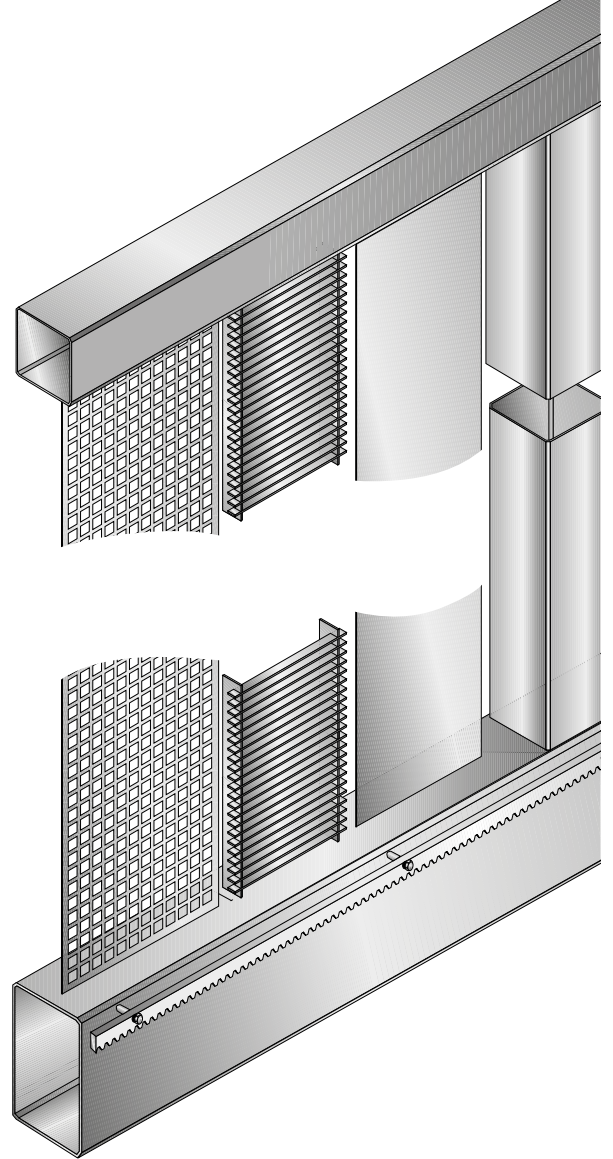
> The powder coating

Finishing with thermo-setting pure polyester powder is carried out only on panelling that has previously been hot dip galvanized.

On request, Gridiron can advise on the feasibility of carrying out this treatment.

> The installation of the guide

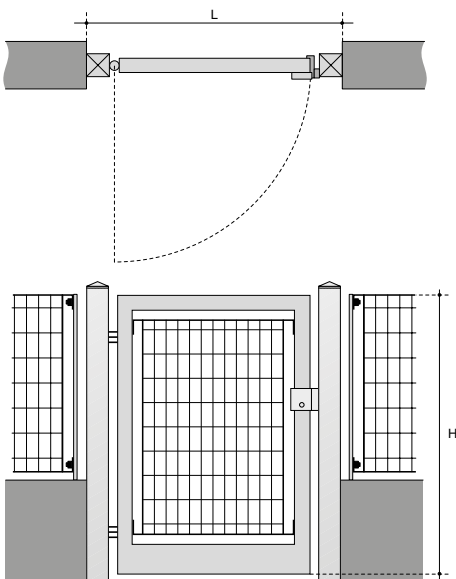
The correct positioning of the reverse U-shaped profile guide is essential for the optimal, long lasting operation of every sliding gate on round-grooved wheels. By complying with the standard distance of 120 mm between the pilaster and the centre-line of the guide, as shown on the drawing alongside, assembly is simpler and easier.



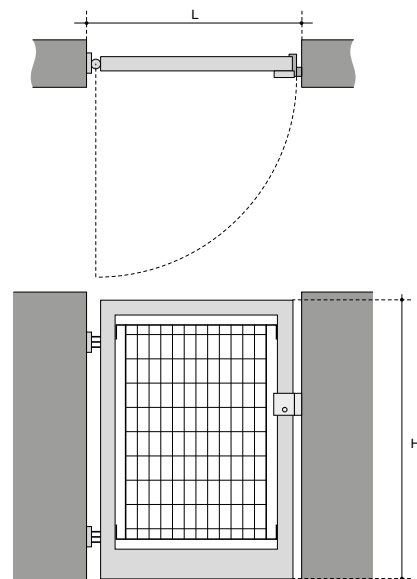


> Gridiron gate design solutions

Single leaf gates can be equipped with a manual or electric lock. On request, they are constructed and set up for motorization with arm or underground motorization.



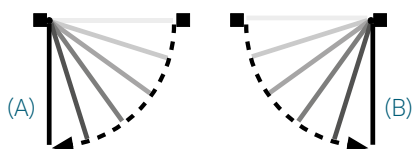
Single leaf gate with columns
Internal view



Single leaf gate with wall supports
Internal view



Required data to be specified



- Direction of opening considering the internal view from right to left (A) or left to right (B)
- Height (H) of door
- Width (L) of clearance between walls

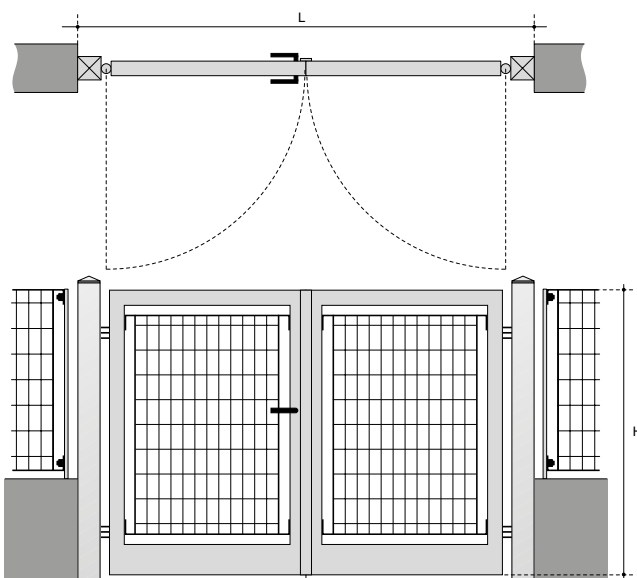
Interchangeable components of the single leaf custom size gate

STRUCTURE		PANELLING		SUPPORTS		NUTS AND BOLTS	LOCK
BASE TUBE mm	FRAME AND UPRIGHTS TUBE mm	MATERIAL	mm	TYPE	TUBE mm		
80×40×3	80×40×3	FORGE-WELDED GRATING	25×2 63×132	WALL MOUNTED		GALVANIZED	MANUAL
100×50×3	50×50×3	FORGE-WELDED GRATING	25×3 63×132	COLUMNS	80×80×3	STAINLESS STEEL	ELECTRIC
160×80×3	80×80×3	FORGE-WELDED GRATING	25×2 63×66	COLUMNS	100×100×3	ANTI-THEFT ST. STEEL	
150×50×3	100×50×3	FORGE-WELDED GRATING	25×3 63×66	COLUMNS	120×120×3		
200×100×3	100×100×3	FORGE-WELDED GRATING	25×2 43×44	COLUMNS	150×150×3		
		FORGE-WELDED GRATING	WING	COLUMNS	160×160×3		
		PRESSED GRATING	25×2-10×2 132×11	COLUMNS	200×200×3		
		GALVANIZED SHEET METAL WITH SQUARE HOLES	10×10				
		SOLID SHEET METAL					

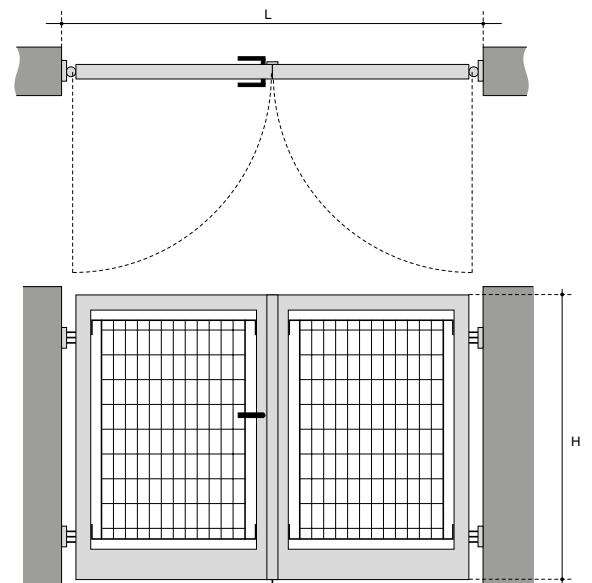


> Gridiron gate design solutions

Double leaf gates are equipped with a semi-fixed leaf with a ground-level latch and a leaf with a manual lock. On request, they are constructed and set up for motorization with arms or underground.



Double leaf gate with columns
Internal view



Double leaf gate with wall supports
Internal view



Required data to be specified

- Height (H) of door
- Width (L) of clearance between walls

Interchangeable components of the double leaf custom size gate

STRUCTURE		PANELLING		SUPPORTS		NUTS AND BOLTS	LOCK
BASE TUBE mm	FRAME AND UPRIGHTS TUBE mm	MATERIAL	mm	TYPE	TUBE mm		
80×40×3	80×40×3	FORGE-WELDED GRATING	25×2 63×132	WALL MOUNTED		GALVANIZED	MANUAL with ground-level latch on semi-fixed door
100×50×3	50×50×3	FORGE-WELDED GRATING	25×3 63×132	COLUMNS	80×80×3	STAINLESS STEEL	
160×80×3	80×80×3	FORGE-WELDED GRATING	25×2 63×66	COLUMNS	100×100×3	ANTI-THEFT ST. STEEL	
150×50×3	100×50×3	FORGE-WELDED GRATING	25×3 63×66	COLUMNS	120×120×3		
200×100×3	100×100×3	FORGE-WELDED GRATING	25×2 43×44	COLUMNS	150×150×3		
		FORGE-WELDED GRATING	WING	COLUMNS	160×160×3		
		PRESSED GRATING	25×2-10×2 132×11	COLUMNS	200×200×3		
		GALVANIZED SHEET METAL WITH SQUARE HOLES	10×10				
		SOLID SHEET METAL					

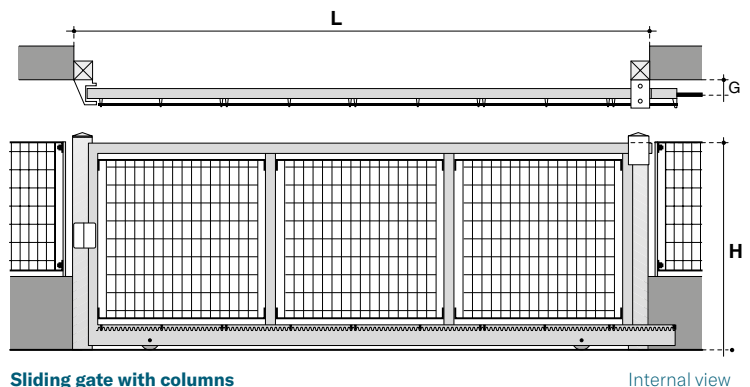
Custom size gates

> With personalised graphics



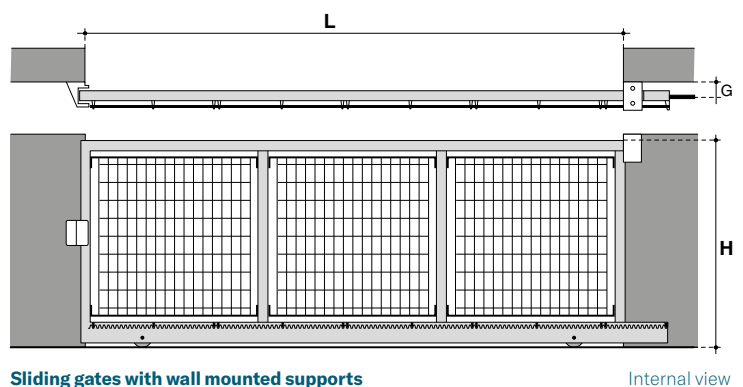
> Gridiron gate design solutions

Sliding gates, manufactured from appropriately sized **steel hollow sections** into which the **various infill panels** are fitted, merit particular attention due to the high standard of finishing. Produced with a traditionally high level of workmanship and with high quality accessories, functionality, safety and durability is ensured. The choice of **wheels with double ball bearings** ensures the smooth sliding of the gate, the application of a protection plate prevents derailing, and the use of bumpers and extra-thick roller holders make Gridiron sliding gates a leading product in the sector.



Sliding gate with columns

Internal view

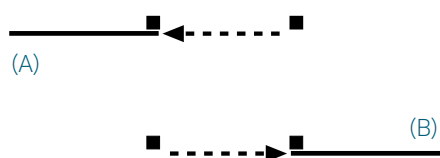


Sliding gates with wall mounted supports

Internal view



Required data to be specified



- Direction of opening considering the internal view from right to left (A) or left to right (B)
- Height (H) from above guide to upper edge of frame
- Width (L) of clearance between walls
- Centreline of guide (G) to be specified only if the guide is already in operation

Interchangeable components of the sliding custom size gate

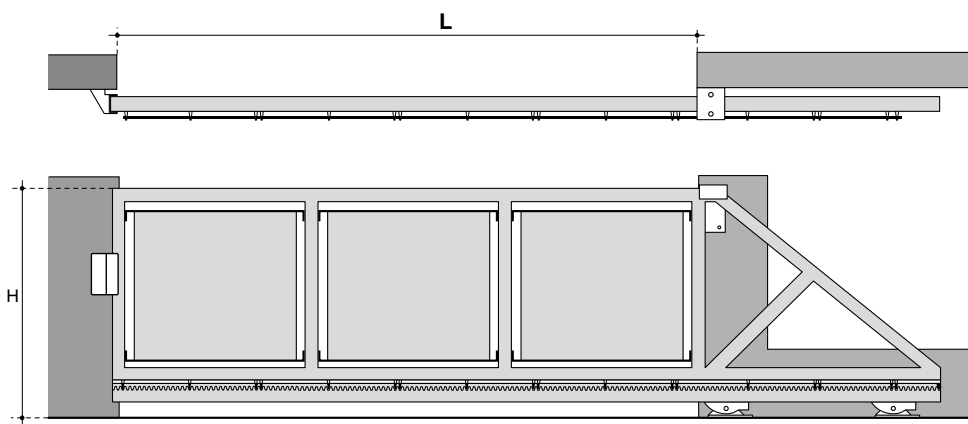
STRUCTURE		PANELLING		SUPPORTS		NUTS AND BOLTS	CLOSURE
BASE TUBE mm	FRAME AND UPRIGHTS TUBE mm	MATERIAL	TYPE	TYPE	TUBE mm		
100×50×3	50×50×3	FORGE-WELDED GRATING	25×2 63×132	WALL MOUNTED		GALVANIZED	RACK
150×50×3	100×50×3	FORGE-WELDED GRATING	25×3 63×132	COLUMNS	120×120×3	STAINLESS STEEL	LOCK MANUAL
180×60×3	80×80×3	FORGE-WELDED GRATING	25×2 63×66	COLUMNS	150×150×3	ANTH-STEEL	
200×100×3	100×100×3	FORGE-WELDED GRATING	25×3 63×66	COLUMNS	160×160×3		
		FORGE-WELDED GRATING	25×2 43×44	COLUMNS	175×175×3		
		FORGE-WELDED GRATING	WING	COLUMNS	200×200×3		
		PRESSED GRATING	25×2-10×2 132×11	DOUBLE COLUMNS	160×80×3		
		GALVANIZED SHEET METAL WITH SQUARE HOLES	10×10	DOUBLE COLUMNS	200×100×3		
		SOLID SHEET METAL					



> Gridiron gate design solutions

Gridiron's considerable experience in the construction of sliding gates has resulted in the design and manufacture of the Shuttle gate, **which slides on internal rollers instead of on a guide on the ground**. The base structure is constructed from two sturdy UNP 140 crosspieces. The sliding carriages are suitably sized to accommodate the support force of the gate during the movement phase.

It is provided exclusively **set up for motorization**.

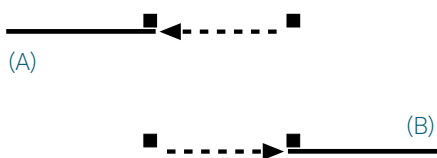


Shuttle gate
Internal view





Required data to be specified



- Direction of opening considering the internal view from right to left (A) or left to right (B)
- Height (H) from ground to upper edge of frame
- Width (L) of clearance between walls

Interchangeable components of the shuttle sliding custom size gate

STRUCTURE	
BASE TUBE mm	FRAME AND UPRIGHTS TUBE mm
UNP 140	100×100×3

PANELLING	
MATERIAL	TYPE
FORGE-WELDED GRATING	25×2 63×132
FORGE-WELDED GRATING	25×3 63×132
FORGE-WELDED GRATING	25×2 63×66
FORGE-WELDED GRATING	25×3 63×66
FORGE-WELDED GRATING	25×2 43×44
FORGE-WELDED GRATING	WING
PRESSED GRATING	25×2-10×2 132×11
GALVANIZED SHEET METAL WITH SQUARE HOLES	10×10
SOLID SHEET METAL	

SUPPORTS
TYPE
WALL MOUNTED

NUTS AND BOLTS
GALVANIZED
STAINLESS STEEL
ANTHTHEFT ST. STEEL

CLOSURE
RACK

14. Finishes



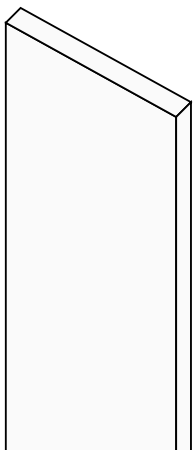
Fencing

> Finishes

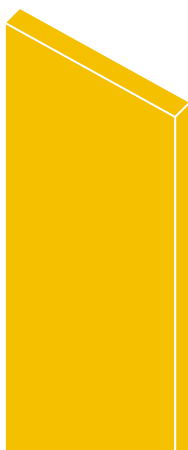


Gridiron fencing, which always undergo the indispensable protective treatment of hot dip galvanizing, on request are coated with thermo-setting pure polyester powder (PE). This finish, in addition to making the surface of the product more homogenous and brilliant, highlights its exterior thus enhancing the aesthetic appearance. The section below shows the available standard RAL colours. Different colours are available on request.

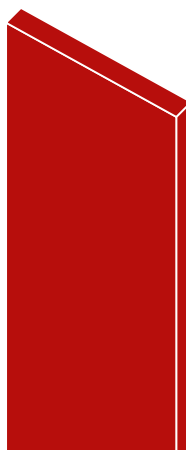
Available colours



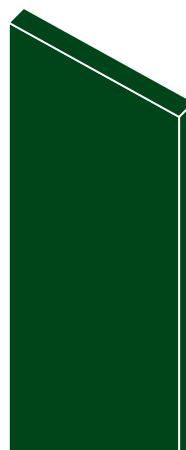
Pure white
Ral 9010



Navone yellow
Ral 1021



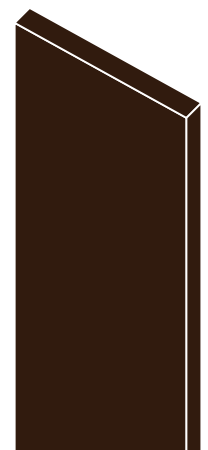
Crimson red
Ral 3002



Moss green
Ral 6005



Mint green
Ral 6029



Brown
Ral 8017



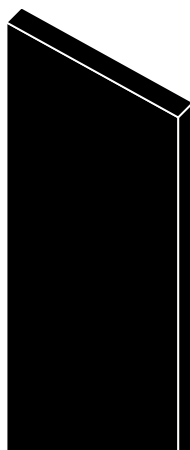
**Finishes on micaceous iron
type granular base**



Gentian blue
Ral 5010



Anthracite grey
Ral 7016



Intense Black
Ral 9005



Cast iron grey
PD 2616



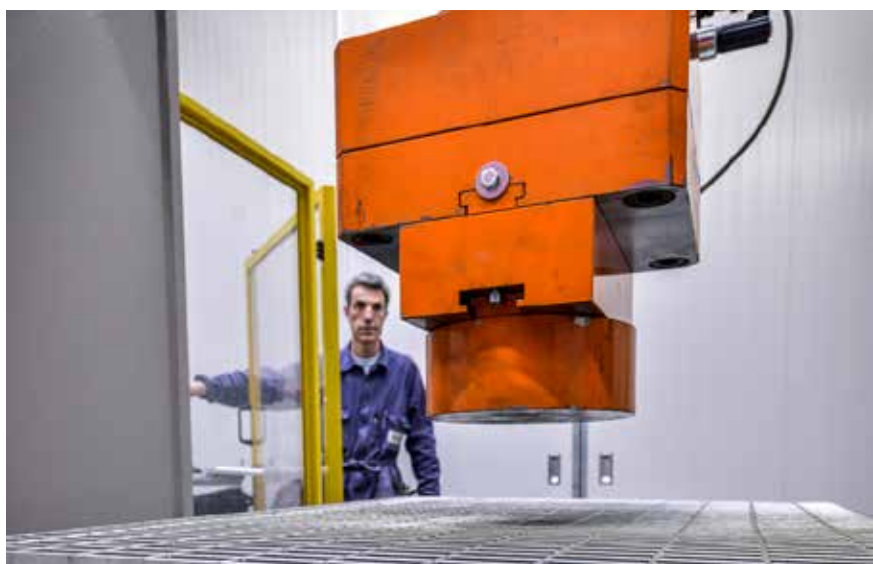
Anthracite grey
PD 2445

15. Load tables for electro- forgewelded grating



Research centre

GRIDIRON RESEARCH CENTRE: after thirty years of experience acquired directly in the field, the testing laboratory was set up. Today this research facility located within the Gridiron plant focuses on tests and trials, for certifying the various categories and types of transit gratings according to UNI standards.



> Company and product quality certificates

Certificate of Conformity for Factory Production Control 1381-CPR-507 Venice, 15 May 2020

In conformity to Regulation (EU) No. 305/2011 of the European Parliament and of the Council dated 9 March 2011 (Construction Products Regulation - CPR), this certificate applies to the construction product.

Steel and aluminium structural elements manufactured by manufacturer and relevant qualification **GRIDIRON S.P.A. Sole Proprietorship** Address: **Via E. Fermi – Z.I. Ramera 31010 Mareno di Piave (TV) - Italy**

This certificate certifies that all the provisions regarding the assessment and verification of constancy of performance described in Annex ZA to the **EN 1090-1:2009+A1:2011 Execution of steel structures in execution class up to EXC3 Conformity Declaration Methods: 3A-3b** standards in the context of the 2+ system have been applied and that **factory production control satisfies all the relevant requirements mentioned above.**

This certificate was issued on **15 May 2020** and remains valid until the test methods and/or factory production control requirements defined in the harmonised standards (referred to above), used to assess the performances of the declared characteristics, do not change, and the product and the production conditions in the plant do not undergo significant changes. NOTE: This certificate annuls and replaces Certificate No. 1381-CPR-507 first issued on 12/03/2018. Date of last issue: **15 May 2020**



Over the years, Gridiron S.p.A. has always placed **significant emphasis on manufacturing items in accordance with the applicable regulations** and bearing the CE mark according to the following standards:

STEEL STRUCTURAL COMPONENTS

UNI EN 1090-1/2:2012

GATES

UNI EN 13241-1:2011



The UNI EN 1090 standard obliges the manufacturer to demonstrate to a third-party body to **possess all the requirements for the CE marking**; among these, the **welding processes** and the operators assigned to these tasks are particularly important.



They include:

QUALIFICATION OF WELDING PROCESSES

UNI EN ISO 15614-1:2004 / UNI EN ISO 15613:2005

QUALIFICATION OF WELDING OPERATORS

UNI EN ISO 9606-1:2013

QUALIFICATION OF THE WELDING COORDINATOR

UNI EN ISO 14731 / International Welding Institute

QUALIFICATION OF THE NON-DESTRUCTIVE VISUAL INSPECTIONS OPERATOR

UNI EN ISO 9712:2012



PLEASE NOTE: the Declarations of Performance (DoP) of our products are available on the website www.gridiron.it, together with all the informative documentation of each item of the Gridiron range!



Find us

Gridiron Spa Unipersonale

Via E. Fermi (Z.I. Ramera)
31010 Mareno di Piave (TV)
Italy

Tel. +39 0438.492.502

Fax +39 0438.492.545

info@gridiron.it

Follow us on FB | IG | LinkedIn

Discover all our products and services at

www.gridiron.it

Gridiron Showroom





GRIDIRON
BUILD YOUR FRAME

GRIDIRON
BUILD YOUR FRAME
PARIS FRANCE

