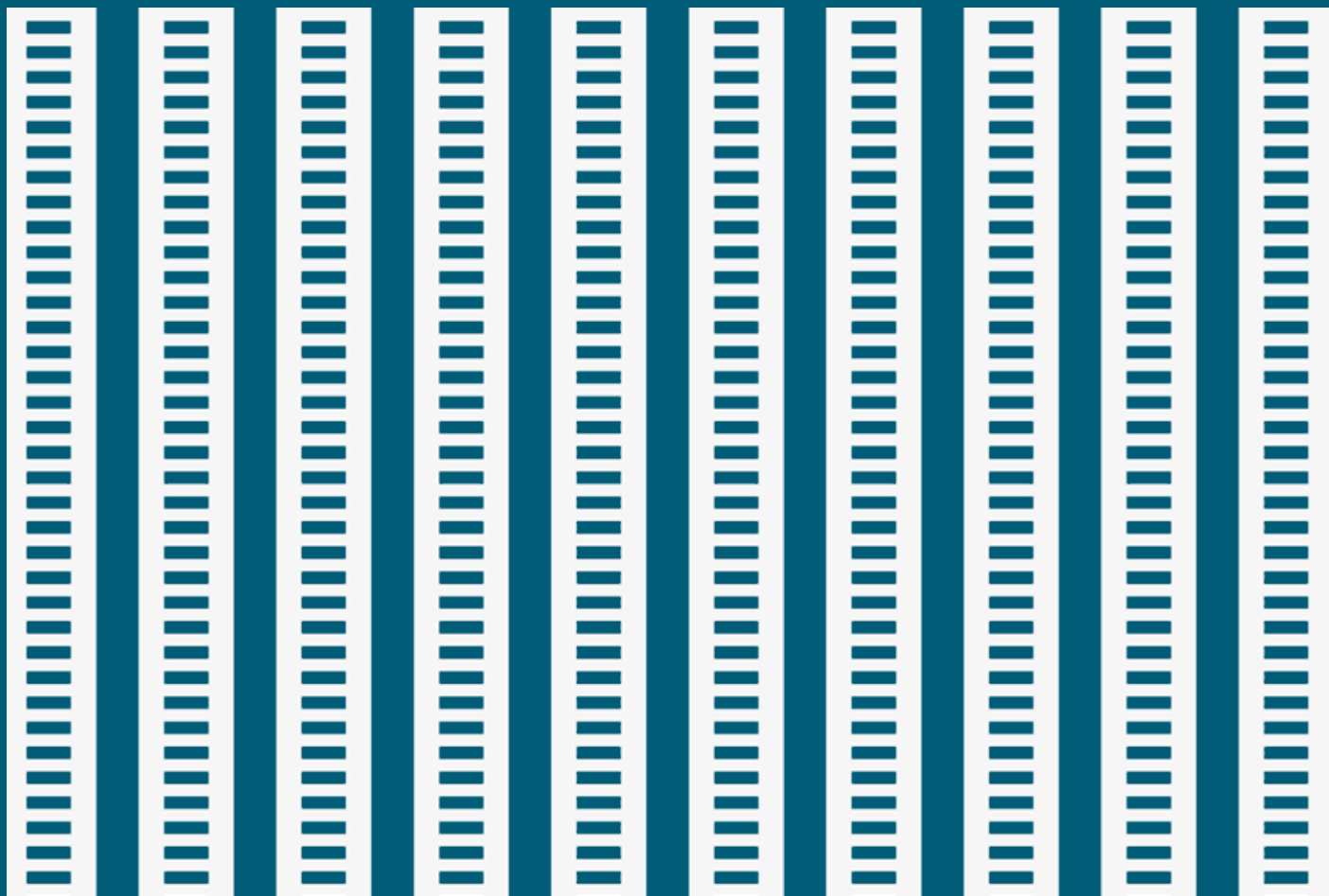


# Drainage systems.

## Vibro-compressed Concrete channels



®

# GRIP



CHANNELS MADE OF  
**VIBRO-  
COMPRESSED  
CONCRETE**

PAGE

22

**VIBRO-BASE SERIES**

PAGE

50

**R SERIES**

**GRIDIRON®**  
BUILD YOUR CHANGES

# VIBRO-COMPRESSED CONCRETE CHANNELS

## Load classes

In accordance with the UNI EN 1433 standard



**A 15 • B 125 • C 250**

# SERIES VIBRO-BASE



- VIBRO-BASE 100
- VIBRO-BASE 100 EVO
- VIBRO-BASE 150
- VIBRO-BASE 150 EVO
- VIBRO-BASE 200
- VIBRO-BASE 200 EVO



VIBRO-COMPRESSED CONCRETE CHANNELS

# VIBRO-BASE SERIES

## SYSTEM AND TECHNICAL CHARACTERISTICS



**DUCTILE IRON GRATINGS**

For load class C 250, with the possibility of coating them in RAL colours on request

**ASSORTED GRATINGS**

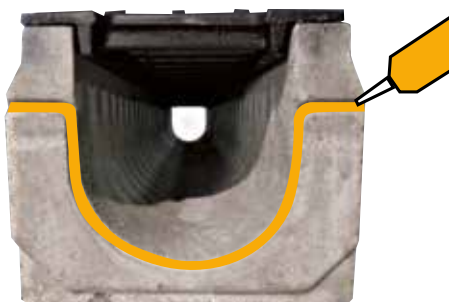
Made of press-formed metal sheet with heelguard mesh, for load classes A 15 - B 125

**LOCKING SCREWS**  
made of stainless steel

**BUCKET/FILTER**  
th. 10/10, AISI 304 stainless steel

**END CAP**  
with outlet

**VIBRO-COMPRESSED CHANNEL**



**PERFECT AND STABLE JOINING**

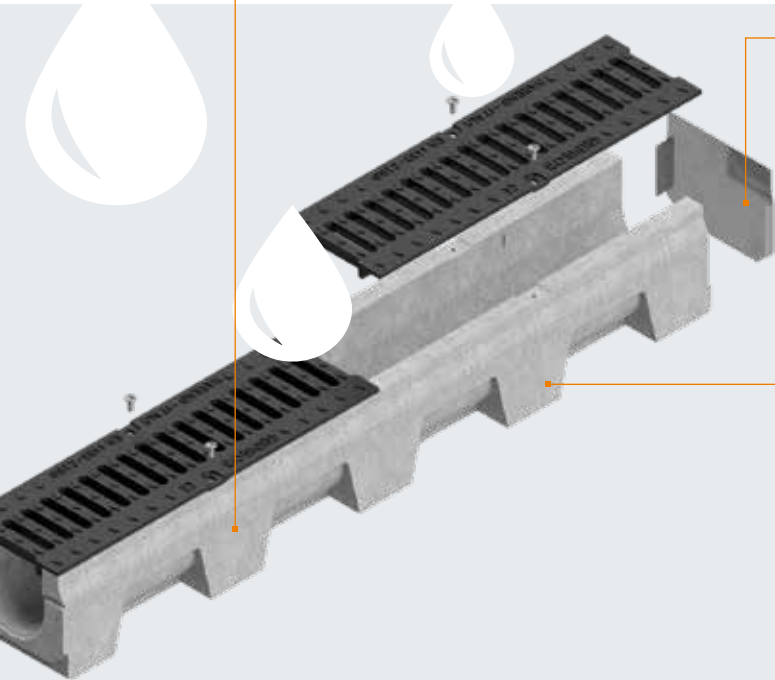
The channel end caps are made with male-female connections, with an inner slot that allows for sealing them together.

It is advisable to use silicone sealant with neutral cross-linkage and low modulus.



**DUCTILE IRON GRATINGS  
SECURED TO THE CHANNEL**

The gratings have two relief notches along their lower section which slot into the relative housings on the edge of the channel to prevent their longitudinal movement.



**END CAP**  
for channel



**SUMP UNIT**

made of reinforced concrete

**KNOCK-OUT SECTIONS**

to adapt the sump units to the various heights (H1-H2-H3) of the Vibro-base / EVO series channels or for any other drainage points (configured for Ø125 pipes)

**CONNECTOR SLEEVE**

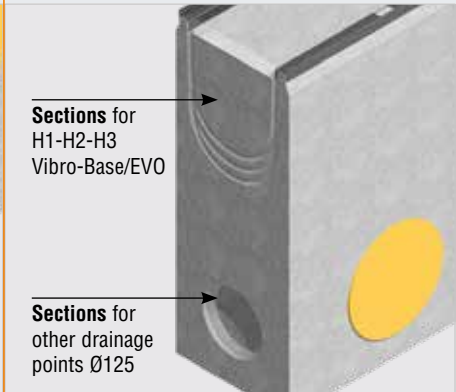
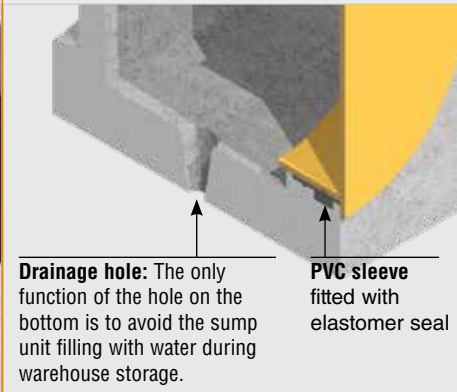
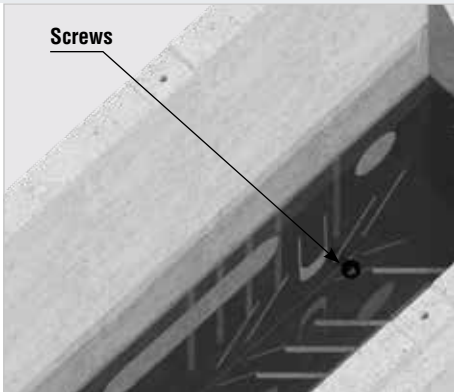
with relative cap

**SPECIAL SUMP UNIT COMPONENTS**

Bucket/filter fastened with 2 screws ensuring maximum stability and functionality.

Full and safe drainage through the PVC sleeve; knock-out sections are also included to connect Ø125 pipes

Knock-out sections configured for optimal channel connections at the various heights (H1-H2-H3). There are also other knock-out sections: 1 on the Vibro-Base 100 model and 3 on all the other models for other drainage points (if required) with Ø125 pipes



# VIBRO-COMPRESSED CONCRETE CHANNELS

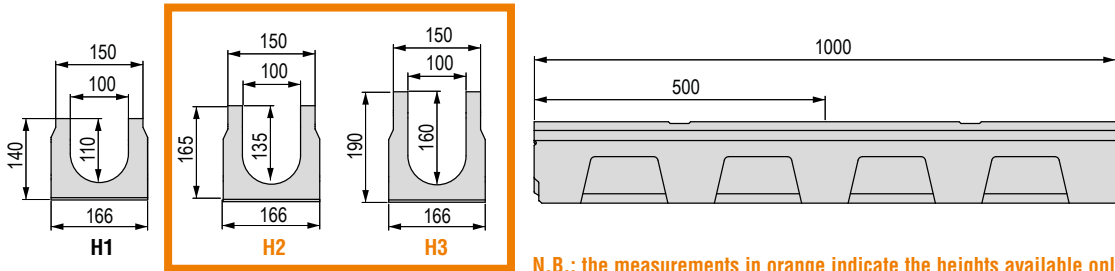
## VIBRO-BASE 100 SERIES

Grating width 150 mm

Vibro-compressed concrete channel.  
The channels are sold exclusively in complete pallets and together with the gratings.

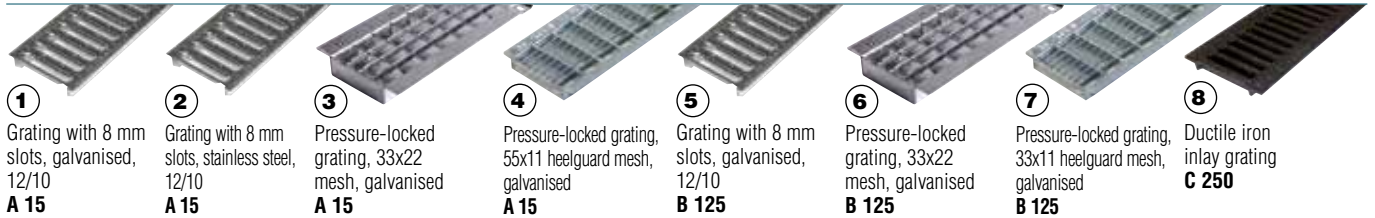


### Vibro-Base 100 Series channel dimensions



N.B.: the measurements in orange indicate the heights available only on request

### Available gratings

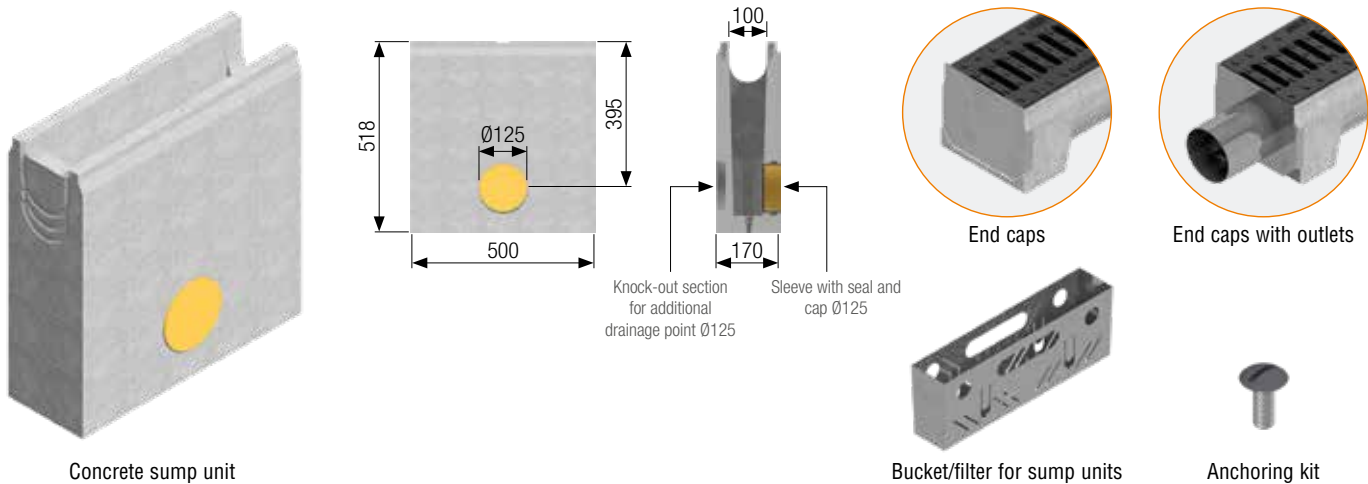


### Vibro-Base 100 Series channel complete with grating - Length 1000 / 500 mm

Channel L. mm	Code	Grating	Description of the H1 channel assembled with the grating complete with accessories	Weight kg	Load class
1000	4F00SGL	①	Channel complete with self-locking inlay grating made of galvanised press-formed metal sheet, 8 mm slots, 12/10	30.11	A 15
	4F00SGLI	②	Channel complete with self-locking inlay grating made of AISI 304 stainless steel press-formed metal sheet, 8 mm slots, 12/10	30.93	
	4F00SA	③	Channel complete with pressure-locked inlay grating 20x2-10x2 33x22, hot-dip galvanised	30.49	
	4F00SAA	④	Channel complete with pressure-locked heelguard inlay grating 20x2-10x2 55x11, hot-dip galvanised	31.04	
	4F00SGL1	⑤	Channel complete with self-locking inlay grating made of galvanised press-formed metal sheet, 8 mm slots, 12/10 (suitable for sports facilities)	30.15	B 125
	4F00SB	⑥	Channel complete with pressure-locked inlay grating 30x2-10x2 33x22, hot-dip galvanised	31.75	
	4F00SBA	⑦	Channel complete with pressure-locked heelguard inlay grating 30x2-10x2 33x11, hot-dip galvanised	31.54	
	4F00SGS	⑧	Channel complete with 2 x GJS500-7 ductile iron inlay gratings	35.36	
500	4F05SGL	①	Channel complete with inlay grating made of galvanised press-formed metal sheet, 8 mm slots, 12/10	15.10	A 15
	4F05SGLI	②	Channel complete with inlay grating made of AISI 304 stainless steel press-formed metal sheet, 8 mm slots, 12/10	15.46	
	4F05SA	③	Channel complete with pressure-locked inlay grating 20x2-10x2 33x22, hot-dip galvanised	15.25	
	4F05SAA	④	Channel complete with pressure-locked heelguard inlay grating 20x2-10x2 55x11, hot-dip galvanised	15.52	
	4F05SGL1	⑤	Channel complete with self-locking inlay grating made of galvanised press-formed metal sheet, 8 mm slots, 12/10 (suitable for sports facilities)	15.07	B 125
	4F05SB	⑥	Channel complete with pressure-locked inlay grating 30x2-10x2 33x22, hot-dip galvanised	15.88	
	4F05SBA	⑦	Channel complete with pressure-locked heelguard inlay grating 30x2-10x2 33x11, hot-dip galvanised	15.77	
	4F05SGS	⑧	Channel complete with GJS500-7 ductile iron inlay grating	17.68	



## Vibro-Base 100 Series accessories



### Vibro-Base 100 Series concrete sump unit complete with grating - Length 500 mm

Sump unit L. mm	Code	Grating	Description of the sump unit assembled with the grating complete with accessories	Weight kg	Load class
500	4F00PZGL	①	Sump unit complete with self-locking inlay grating in press-formed metal sheet, galvanised, 8 mm slots, 12/10	61.40	A 15
	4F00PZGLI	②	Sump unit complete with self-locking inlay grating made of AISI 304 stainless steel press-formed metal sheet, 8 mm slots, 12/10	61.40	
	4F00PZA	③	Sump unit complete with pressure-locked inlay grating 20x2-10x2 33x22, hot-dip galvanised	61.90	
	4F00PZAA	④	Sump unit complete with pressure-locked heelguard inlay grating 20x2-10x2 55x11, hot-dip galvanised	61.90	
	4F00PZGL1	⑤	Sump unit complete with inlay grating made of galvanised press-formed metal sheet, 8 mm slots, 12/10 ( <b>suitable for sports facilities</b> )	61.40	B 125
	4F00PZB	⑥	Sump unit complete with pressure-locked inlay grating 30x2-10x2 33x22, hot-dip galvanised	62.05	
	4F00PZBA	⑦	Sump unit complete with pressure-locked heelguard inlay grating 30x2-10x2 33x11, hot-dip galvanised	62.10	
	4F00PZGS	⑧	Sump unit complete with GJS500-7 ductile iron inlay grating	63.60	

### Vibro-Base 100 Series concrete sump unit without grating and accessories

Code	Description	Weight kg
4F00PZ	Reinforced concrete sump unit L 500 mm	60.20
4R01VI	Bucket/Filter, AISI 304 stainless steel	1.16
4F00TI	End cap h140	0.28
4F01TI	End cap h165	0.33
4F02TI	End cap h190	0.38
4F00RI	End cap with outlet drainage pipe diam. 89 mm for channel h140	0.58
4F01RI	End cap with outlet drainage pipe diam. 89 mm for channel h165	0.63
4F02RI	End cap with outlet drainage pipe diam. 89 mm for channel h190	0.68
4510K	Kit for anchoring the grating to the channel and sump unit Channel bottom drilling Ø82 mm	0.024

### Vibro-Base 100 Series channel without grating - Length 1000 / 500 mm

Channel L. mm	Code	Description	Water passage mm	Run-off section cm <sup>2</sup>	Weight kg	Pieces pallet
1000	4F00S	Vibro-compressed concrete channel H1	100	99	27.74	42
	4F01S	Vibro-compressed concrete channel H2	100	124	31.17	42
	4F02S	Vibro-compressed concrete channel H3	100	149	33.60	42
500	4F05S	Vibro-compressed concrete channel H1	100	99	13.87	loose
	4F06S	Vibro-compressed concrete channel H2	100	124	15.92	loose
	4F07S	Vibro-compressed concrete channel H3	100	149	16.80	loose

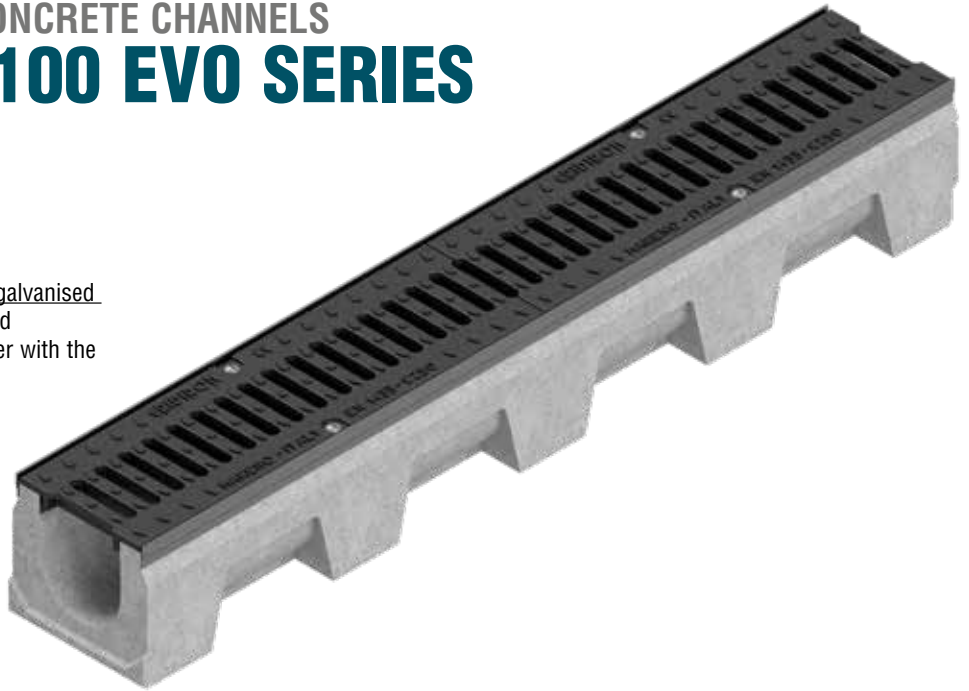
# VIBRO-COMPRESSED CONCRETE CHANNELS

## VIBRO-BASE 100 EVO SERIES

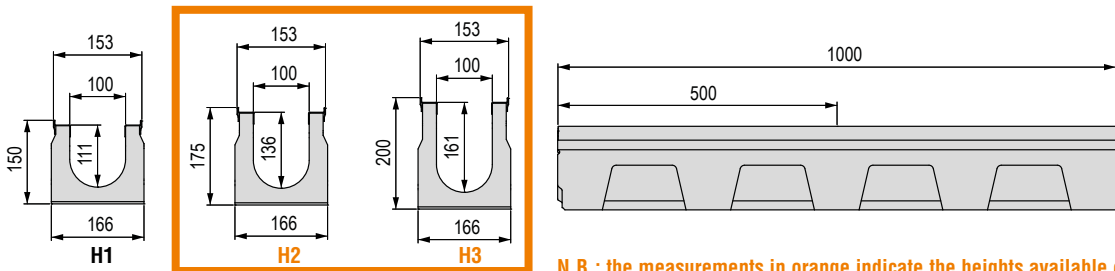
### (with edge rail)

Grating width 150 mm

Vibro-compressed concrete channel with galvanised protective edge rails. The channels are sold exclusively in complete pallets and together with the gratings.



### Vibro-Base 100 EVO channel dimensions



N.B.: the measurements in orange indicate the heights available only on request

### Available grating

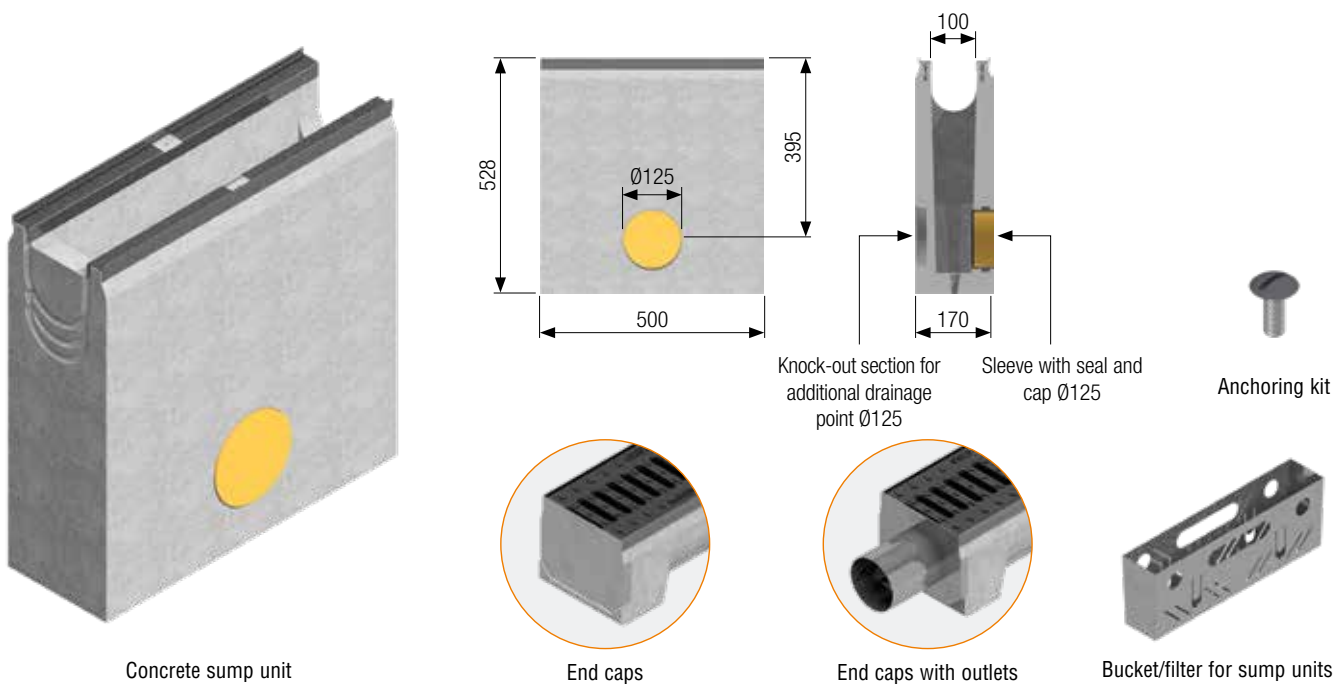
GJS500-7 ductile iron  
inlay grating  
**C 250**



### Vibro-Base 100 EVO Series channel complete with grating - Length 1000 / 500 mm

Channel L. mm	Code	Description of the H1 channel assembled with the grating complete with accessories	Weight kg	Load class
1000	4F00SPS	EVO series channel with galvanised edge rail, complete with 2 x GJS500-7 ductile iron inlay gratings	37.36	C 250
500	4F05SPS	EVO series channel with galvanised edge rail, complete with GJS500-7 ductile iron inlay grating	18.68	C 250

## Vibro-Base 100 EVO Series accessories



### Vibro-Base 100 EVO Series concrete sump unit complete with grating - Length 500 mm

Sump unit L. mm	Code	Description of the sump unit assembled with the grating complete with accessories	Weight kg	Load class
500	4F00SPZGS	Sump unit with galvanised edge rail, complete with GJS500-7 ductile iron inlay grating	64.33	C 250

### Vibro-Base 100 EVO Series concrete sump unit without grating and accessories

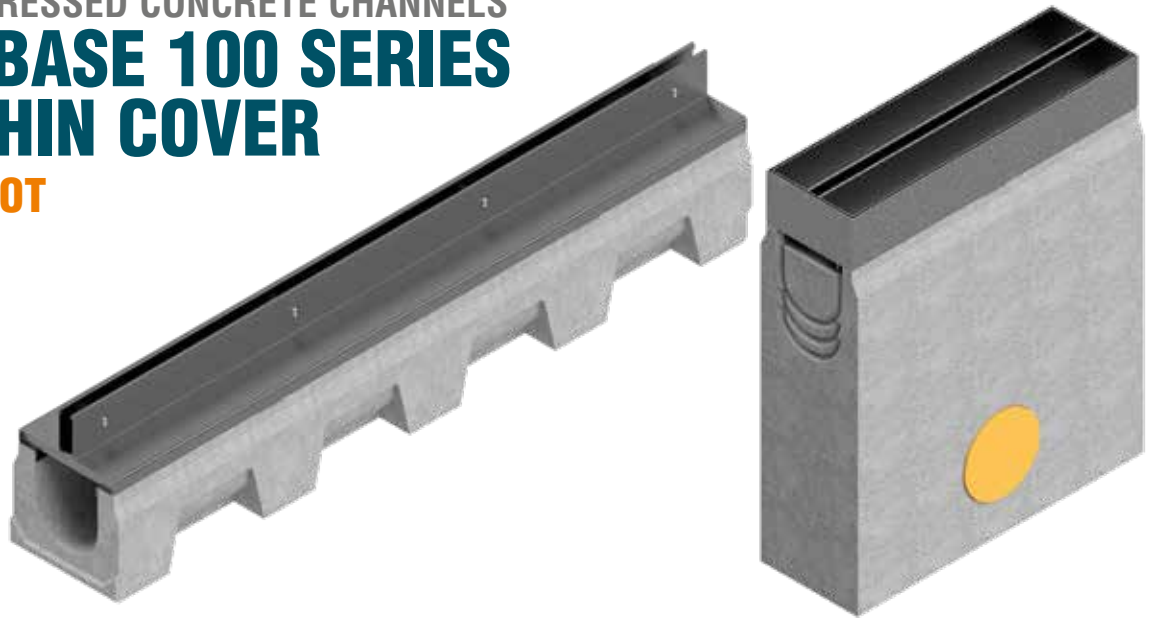
Code	Description	Weight kg
4F00SPZ	Reinforced concrete sump unit with galvanised edge rail L 500 mm	60.93
4R01VI	Bucket/Filter, AISI 304 stainless steel	1.16
4F00TI	End cap for channel H 150	0.28
4F01TI	End cap for channel H 175	0.33
4F02TI	End cap for channel H 200	0.38
4F00RI	End cap with outlet drainage pipe diam. 89 mm for channel H 150	0.58
4F01RI	End cap with outlet drainage pipe diam. 89 mm for channel H 175	0.63
4F02RI	End cap with outlet drainage pipe diam. 89 mm for channel H 200	0.68
4510K	Kit for anchoring the grating to the channel and sump unit	0.024
	Channel bottom drilling Ø82 mm	

# VIBRO-COMPRESSED CONCRETE CHANNELS

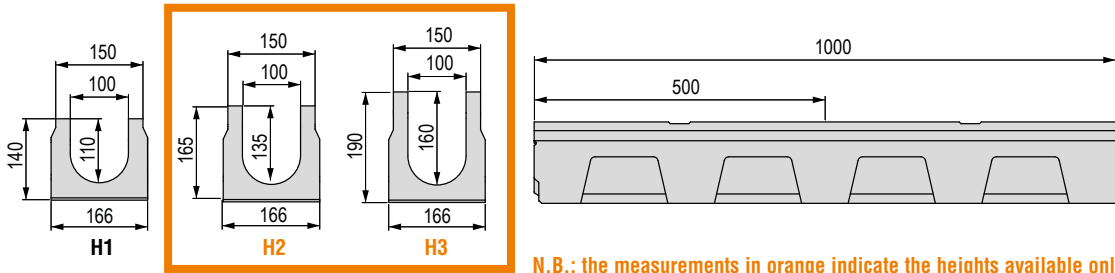
## VIBRO-BASE 100 SERIES

### WITH THIN COVER

### CENTRAL SLOT



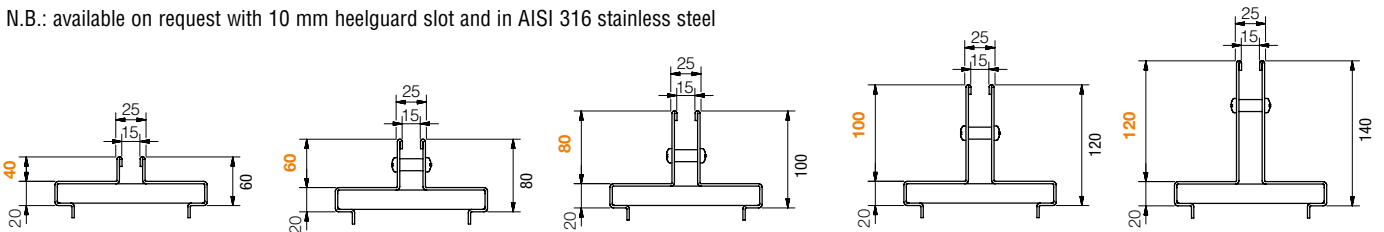
### Vibro-Base 100 Series channel dimensions



N.B.: the measurements in orange indicate the heights available only on request

### Available Thin covers

N.B.: available on request with 10 mm heelguard slot and in AISI 316 stainless steel



### Vibro-Base 100 Series channel without grating - Length 1000 / 500 mm

Channel L. mm	Code	Description	Water passage mm	Run-off section cm <sup>2</sup>	Weight kg	Pieces pallet
1000	4F00S	Vibro-compressed concrete channel H1	100	99	27.74	loose
	4F01S	Vibro-compressed concrete channel H2	100	124	31.17	loose
	4F02S	Vibro-compressed concrete channel H3	100	149	33.60	loose
500	4F05S	Vibro-compressed concrete channel H1	100	99	13.87	loose
	4F06S	Vibro-compressed concrete channel H2	100	124	15.92	loose
	4F07S	Vibro-compressed concrete channel H3	100	149	16.80	loose

### Vibro-Base 100 Series concrete sump unit without grating

Sump unit L. mm	Code	Description	Weight kg
500	4F00PZ	Reinforced concrete sump unit	60.20

## Thin covers with central slot - Slot width 15 mm

**GALVANISED**

N.B.: the Thin cover is supplied loose

Cover L. mm	Code	Description	Slot height mm	Weight kg	Load class
1000	4F00T0	Thin central cover, hot-dip galvanised, Th. 20/10	40	5.70	C 250
	4F00T	Thin central cover, hot-dip galvanised, Th. 20/10	60	6.33	
	4F00T1	Thin central cover, hot-dip galvanised, Th. 20/10	80	6.96	D 400
	4F00T2	Thin central cover, hot-dip galvanised, Th. 20/10	100	7.58	
	4F00T3	Thin central cover, hot-dip galvanised, Th. 20/10	120	8.21	
500	4F05T0	Thin central cover, hot-dip galvanised, Th. 20/10	40	2.85	C 250
	4F05T	Thin central cover, hot-dip galvanised, Th. 20/10	60	3.16	
	4F05T1	Thin central cover, hot-dip galvanised, Th. 20/10	80	3.48	D 400
	4F05T2	Thin central cover, hot-dip galvanised, Th. 20/10	100	3.79	
	4F05T3	Thin central cover, hot-dip galvanised, Th. 20/10	120	4.11	

**AISI 304 STAINLESS STEEL**

N.B.: the Thin cover is supplied loose

1000	4F00I0	Thin central cover, <b>AISI 304 stainless steel</b> , Th. 20/10	40	5.70	C 250
	4F00I	Thin central cover, <b>AISI 304 stainless steel</b> , Th. 20/10	60	6.33	
	4F00I1	Thin central cover, <b>AISI 304 stainless steel</b> , Th. 20/10	80	6.96	D 400
	4F00I2	Thin central cover, <b>AISI 304 stainless steel</b> , Th. 20/10	100	7.58	
	4F00I3	Thin central cover, <b>AISI 304 stainless steel</b> , Th. 20/10	120	8.21	
500	4F05I0	Thin central cover, <b>AISI 304 stainless steel</b> , Th. 20/10	40	2.85	C 250
	4F05I	Thin central cover, <b>AISI 304 stainless steel</b> , Th. 20/10	60	3.16	
	4F05I1	Thin central cover, <b>AISI 304 stainless steel</b> , Th. 20/10	80	3.48	D 400
	4F05I2	Thin central cover, <b>AISI 304 stainless steel</b> , Th. 20/10	100	3.79	
	4F05I3	Thin central cover, <b>AISI 304 stainless steel</b> , Th. 20/10	120	4.11	

## Inspection buckets for Thin covers with central slot - Slot width 15 mm

**GALVANISED**

N.B.: the Thin bucket is supplied loose

Buckets L. mm	Code	Description	Slot height mm	Weight kg	Load class
500	4F05V0	Inspection bucket for galvanised Thin central cover	40	4.42	C 250
	4F05V	Inspection bucket for galvanised Thin central cover	60	5.14	
	4F05V1	Inspection bucket for galvanised Thin central cover	80	5.86	D 400
	4F05V2	Inspection bucket for galvanised Thin central cover	100	6.57	
	4F05V3	Inspection bucket for galvanised Thin central cover	120	7.29	

**AISI 304 STAINLESS STEEL**

N.B.: the Thin bucket is supplied loose

500	4F05VI0	Inspection bucket for Thin central cover made of <b>AISI 304 stainless steel</b>	40	4.42	C 250
	4F05VI	Inspection bucket for Thin central cover made of <b>AISI 304 stainless steel</b>	60	5.14	
	4F05VI1	Inspection bucket for Thin central cover made of <b>AISI 304 stainless steel</b>	80	5.86	D 400
	4F05VI2	Inspection bucket for Thin central cover made of <b>AISI 304 stainless steel</b>	100	6.57	
	4F05VI3	Inspection bucket for Thin central cover made of <b>AISI 304 stainless steel</b>	120	7.29	

## Thin covers accessories



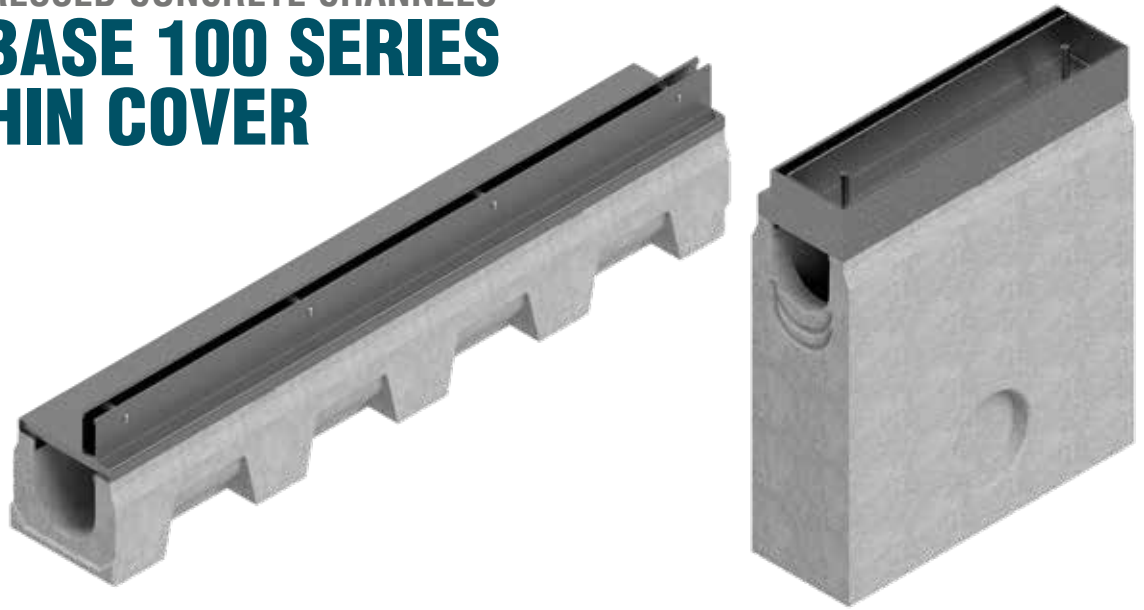
Code	Description
S4505TP5	PVC closure for 15mm thin slit cover, length = 500mm
S4505TP	PVC closure for 15mm thin slit cover, length = 1000mm

# VIBRO-COMPRESSED CONCRETE CHANNELS

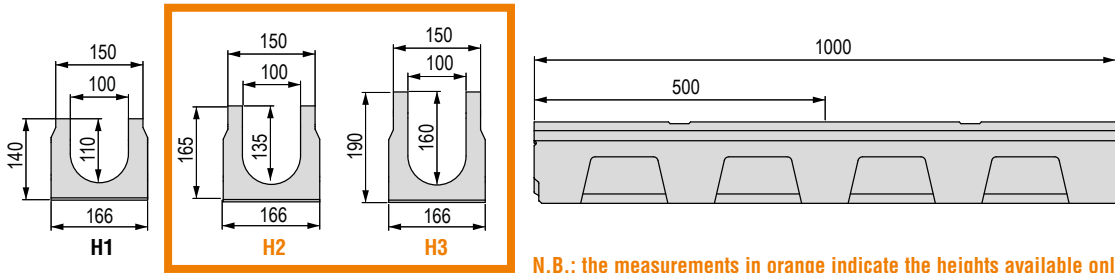
## VIBRO-BASE 100 SERIES

### WITH THIN COVER

#### SIDE SLOT



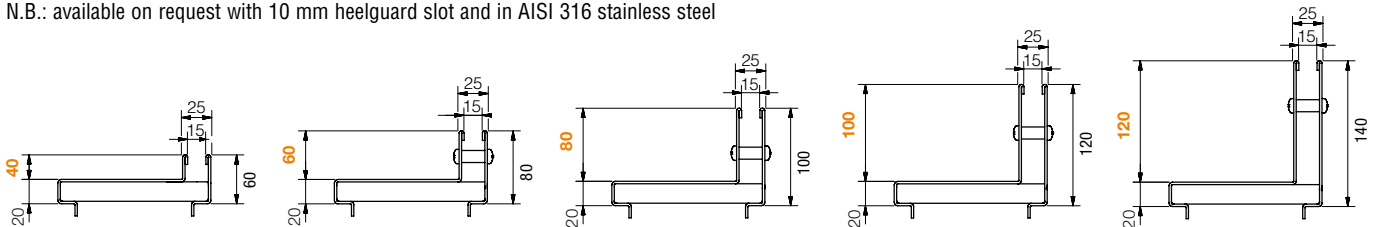
### Vibro-Base 100 Series channel dimensions



N.B.: the measurements in orange indicate the heights available only on request

### Available Thin covers

N.B.: available on request with 10 mm heelguard slot and in AISI 316 stainless steel



### Vibro-Base 100 Series channel without grating - Length 1000 / 500 mm

Channel L. mm	Code	Description	Water passage mm	Run-off section cm <sup>2</sup>	Weight kg	Pieces pallet
1000	4F00S	Vibro-compressed concrete channel H1	100	99	27.74	loose
	4F01S	Vibro-compressed concrete channel H2	100	124	31.17	loose
	4F02S	Vibro-compressed concrete channel H3	100	149	33.60	loose
500	4F05S	Vibro-compressed concrete channel H1	100	99	13.87	loose
	4F06S	Vibro-compressed concrete channel H2	100	124	15.92	loose
	4F07S	Vibro-compressed concrete channel H3	100	149	16.80	loose

### Vibro-Base 100 Series concrete sump unit without grating

Sump unit L. mm	Code	Description	Weight kg
500	4F00PZ	Reinforced concrete sump unit	60.20

## Thin covers with side slot - Slot width 15 mm

### GALVANISED

N.B.: the Thin cover is supplied loose

Cover L. mm	Code	Description	Slot height mm	Weight kg	Load class
1000	4F00L0	Thin side cover, hot-dip galvanised, Th. 20/10	40	5.70	C 250
	4F00L	Thin side cover, hot-dip galvanised, Th. 20/10	60	6.33	
	4F00L1	Thin side cover, hot-dip galvanised, Th. 20/10	80	6.96	D 400
	4F00L2	Thin side cover, hot-dip galvanised, Th. 20/10	100	7.58	
	4F00L3	Thin side cover, hot-dip galvanised, Th. 20/10	120	8.21	
500	4F05L0	Thin side cover, hot-dip galvanised, Th. 20/10	40	2.85	C 250
	4F05L	Thin side cover, hot-dip galvanised, Th. 20/10	60	3.16	
	4F05L1	Thin side cover, hot-dip galvanised, Th. 20/10	80	3.48	D 400
	4F05L2	Thin side cover, hot-dip galvanised, Th. 20/10	100	3.79	
	4F05L3	Thin side cover, hot-dip galvanised, Th. 20/10	120	4.11	

### AISI 304 STAINLESS STEEL

N.B.: the Thin cover is supplied loose

1000	4F00IL0	Thin side cover, <b>AISI 304 stainless steel</b> , Th. 20/10	40	5.70	C 250
	4F00IL	Thin side cover, <b>AISI 304 stainless steel</b> , Th. 20/10	60	6.33	
	4F00IL1	Thin side cover, <b>AISI 304 stainless steel</b> , Th. 20/10	80	6.96	D 400
	4F00IL2	Thin side cover, <b>AISI 304 stainless steel</b> , Th. 20/10	100	7.58	
	4F00IL3	Thin side cover, <b>AISI 304 stainless steel</b> , Th. 20/10	120	8.21	
500	4F05IL0	Thin side cover, <b>AISI 304 stainless steel</b> , Th. 20/10	40	2.85	C 250
	4F05IL	Thin side cover, <b>AISI 304 stainless steel</b> , Th. 20/10	60	3.16	
	4F05IL1	Thin side cover, <b>AISI 304 stainless steel</b> , Th. 20/10	80	3.48	D 400
	4F05IL2	Thin side cover, <b>AISI 304 stainless steel</b> , Th. 20/10	100	3.79	
	4F05IL3	Thin side cover, <b>AISI 304 stainless steel</b> , Th. 20/10	120	4.11	



## Inspection buckets for Thin covers with side slot - Slot width 15 mm

### GALVANISED

N.B.: the Thin bucket is supplied loose

Buckets L. mm	Code	Description	Slot height mm	Weight kg	Load class
500	4F05VL0	Inspection bucket for galvanised Thin side cover	40	4.42	C 250
	4F05VL	Inspection bucket for galvanised Thin side cover	60	5.14	
	4F05VL1	Inspection bucket for galvanised Thin side cover	80	5.86	D 400
	4F05VL2	Inspection bucket for galvanised Thin side cover	100	6.57	
	4F05VL3	Inspection bucket for galvanised Thin side cover	120	7.29	

### AISI 304 STAINLESS STEEL

N.B.: the Thin bucket is supplied loose

500	4F05VLI0	Inspection bucket for Thin side cover made of <b>AISI 304 stainless steel</b>	40	4.42	C 250
	4F05VLI	Inspection bucket for Thin side cover made of <b>AISI 304 stainless steel</b>	60	5.14	
	4F05VLI1	Inspection bucket for Thin side cover made of <b>AISI 304 stainless steel</b>	80	5.86	D 400
	4F05VLI2	Inspection bucket for Thin side cover made of <b>AISI 304 stainless steel</b>	100	6.57	
	4F05VLI3	Inspection bucket for Thin side cover made of <b>AISI 304 stainless steel</b>	120	7.29	

## Thin covers accessories



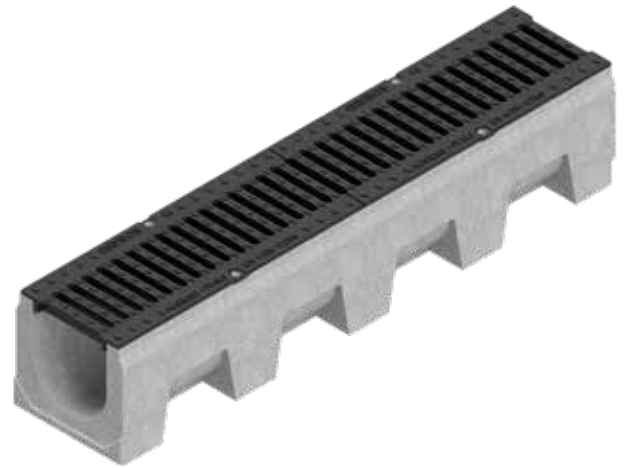
Code	Description
S4505TP5	PVC closure for 15mm thin slit cover, length = 500mm
S4505TP	PVC closure for 15mm thin slit cover, length = 1000mm

# VIBRO-COMPRESSED CONCRETE CHANNELS

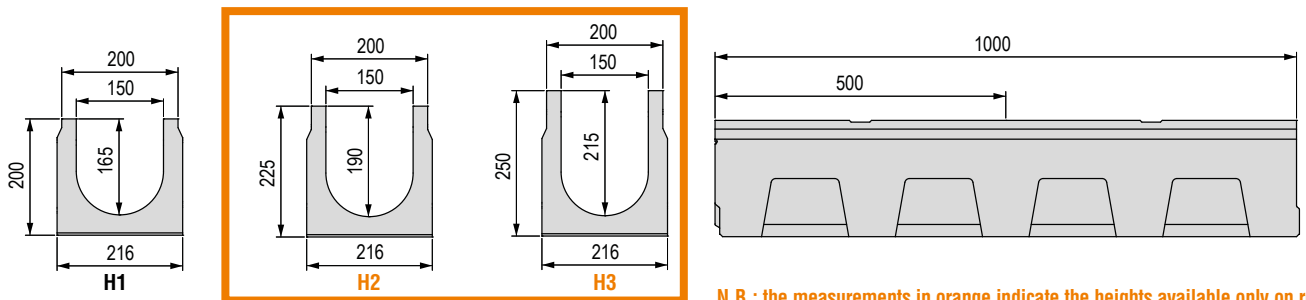
## VIBRO-BASE 150 SERIES

Grating width 200 mm

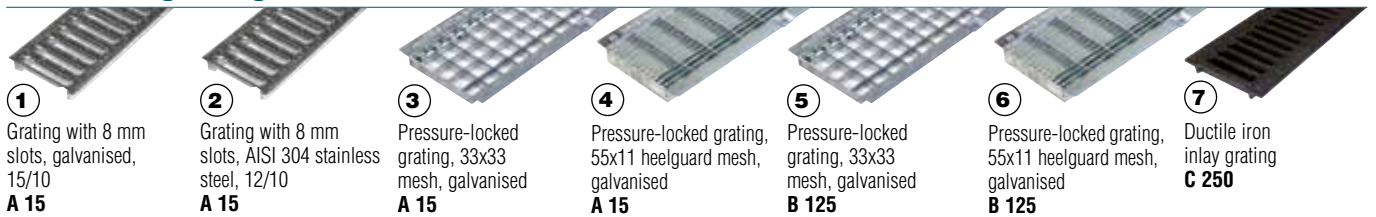
Vibro-compressed concrete channel.  
The channels are sold exclusively in complete pallets and together with the gratings.



### Vibro-Base 150 Series channel dimensions



### Available gratings

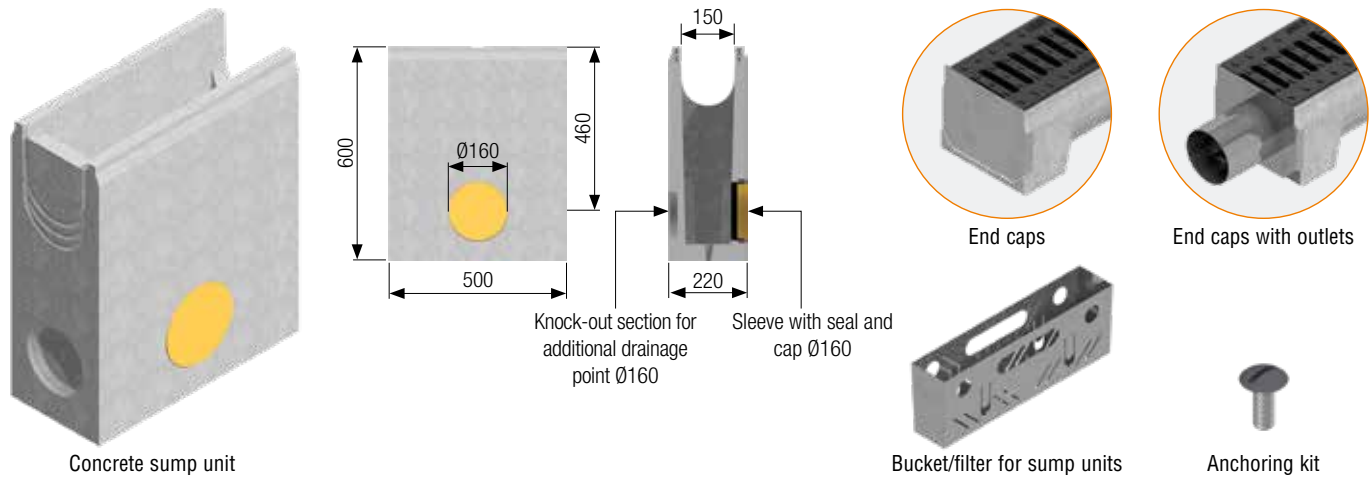


### Vibro-Base 150 Series channel complete with grating - Length 1000 / 500 mm

Channel L. mm	Code	Grating	Description of the H1 channel assembled with the grating complete with accessories	Weight kg	Load class
1000	4F10SGL	①	Channel complete with self-locking inlay grating made of galvanised press-formed metal sheet, 8 mm slots, 15/10	47.17	A 15
	4F10SGLI	②	Channel complete with self-locking inlay grating made of AISI 304 stainless steel press-formed metal sheet, 8 mm slots, 12/10	48.10	
	4F10SA	③	Channel complete with pressure-locked inlay grating 20x2-10x2 33x33, hot-dip galvanised	47.15	
	4F10SAA	④	Channel complete with pressure-locked heelguard inlay grating 20x2-10x2 55x11, hot-dip galvanised	47.80	B 125
	4F10SB	⑤	Channel complete with pressure-locked inlay grating 30x2-10x2 33x33, hot-dip galvanised	48.60	
	4F10SBA	⑥	Channel complete with pressure-locked heelguard inlay grating 30x2-10x2 55x11, hot-dip galvanised	49.15	
	4F10SGS	⑦	Channel complete with 2 x GJS500-7 ductile iron inlay gratings	55.96	
500	4F15SGL	①	Channel complete with self-locking inlay grating made of galvanised press-formed metal sheet, 8 mm slots, 15/10	23.59	A 15
	4F15SGLI	②	Channel complete with self-locking inlay grating made of AISI 304 stainless steel press-formed metal sheet, 8 mm slots, 12/10	24.50	
	4F15SA	③	Channel complete with pressure-locked inlay grating 20x2-10x2 33x33, hot-dip galvanised	23.58	
	4F15SAA	④	Channel complete with pressure-locked heelguard inlay grating 20x2-10x2 55x11, hot-dip galvanised	23.90	B 125
	4F15SB	⑤	Channel complete with pressure-locked inlay grating 30x2-10x2 33x33, hot-dip galvanised	24.30	
	4F15SBA	⑥	Channel complete with pressure-locked heelguard inlay grating 30x2-10x2 55x11, hot-dip galvanised	24.58	
	4F15SGS	⑦	Channel complete with GJS500-7 ductile iron inlay grating	27.98	



## Vibro-Base 150 Series accessories



### Vibro-Base 150 Series concrete sump unit complete with grating - Length 500 mm

Sump unit L. mm	Code	Grating	Description of the sump unit assembled with the grating complete with accessories	Weight kg	Load class
500	4F10PZGL	①	Sump unit complete with self-locking inlay grating in press-formed metal sheet, galvanised, 8 mm slots, 15/10	74.05	A 15
	4F10PZGLI	②	Sump unit complete with self-locking inlay grating made of AISI 304 stainless steel press-formed metal sheet, 8 mm slots, 12/10	75.08	
	4F10PZA	③	Sump unit complete with pressure-locked inlay grating 20x2-10x2 33x33, hot-dip galvanised	73.87	
	4F10PZAA	④	Sump unit complete with pressure-locked heelguard inlay grating 20x2-10x2 55x11, hot-dip galvanised	74.34	B 125
	4F10PZB	⑤	Sump unit complete with pressure-locked inlay grating 30x2-10x2 33x33, hot-dip galvanised	74.9	
	4F10PZBA	⑥	Sump unit complete with pressure-locked heelguard inlay grating 30x2-10x2 55x11, hot-dip galvanised	75.07	
	4F10PZGS	⑦	Sump unit complete with GJS500-7 ductile iron inlay grating	78.38	
					C 250

### Vibro-Base 150 Series concrete sump unit without grating and accessories

Code	Description	Weight kg
4F10PZ	Reinforced concrete sump unit L 500 mm	72.25
4R02VI	Bucket/Filter, AISI 304 stainless steel	1.50
4F10TI	End cap h200	0.51
4F11TI	End cap h225	0.58
4F12TI	End cap h250	0.65
4F10RI	End cap with outlet drainage pipe diam. 156 mm for channel h200	1.34
4F11RI	End cap with outlet drainage pipe diam. 156 mm for channel h225	1.41
4F12RI	End cap with outlet drainage pipe diam. 156 mm for channel h250	1.48
4510K	Kit for anchoring the grating to the channel and sump unit	0.024
	Channel bottom drilling Ø132 mm	

### Vibro-Base 150 Series channel without grating - Length 1000 / 500 mm

Channel L. mm	Code	Description	Water passage mm	Run-off section cm <sup>2</sup>	Weight kg	Pieces pallet
1000	4F10S	Vibro-compressed concrete channel H1	150	223	43.62	25
	4F11S	Vibro-compressed concrete channel H2	150	261	46.85	25
	4F12S	Vibro-compressed concrete channel H3	150	298	48.35	25
500	4F15S	Vibro-compressed concrete channel H1	150	223	21.81	loose
	4F16S	Vibro-compressed concrete channel H2	150	261	23.43	loose
	4F17S	Vibro-compressed concrete channel H3	150	298	24.2	loose

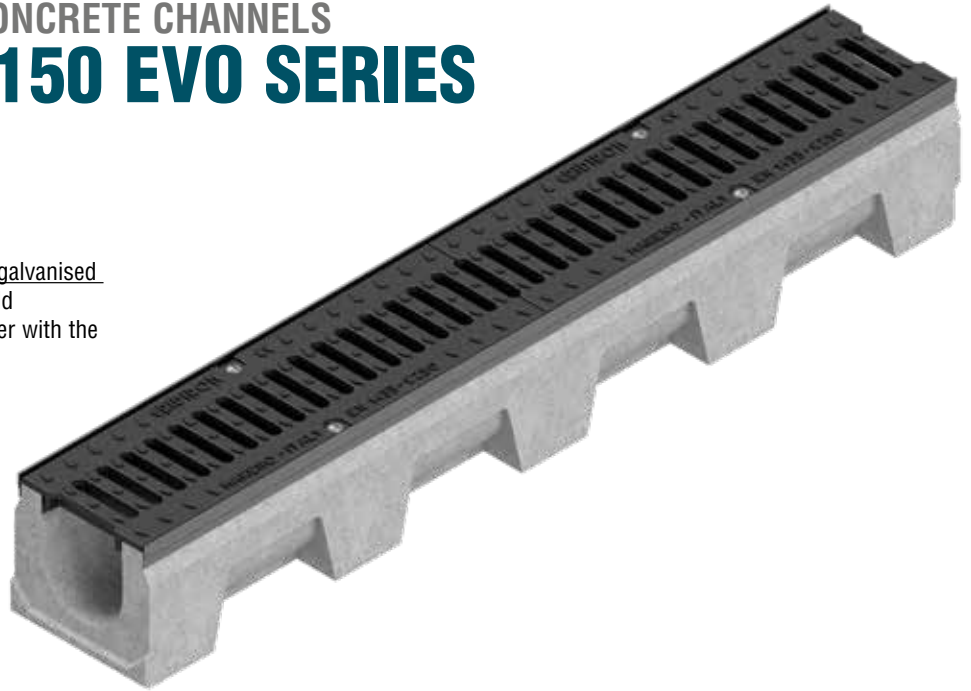
# VIBRO-COMPRESSED CONCRETE CHANNELS

## VIBRO-BASE 150 EVO SERIES

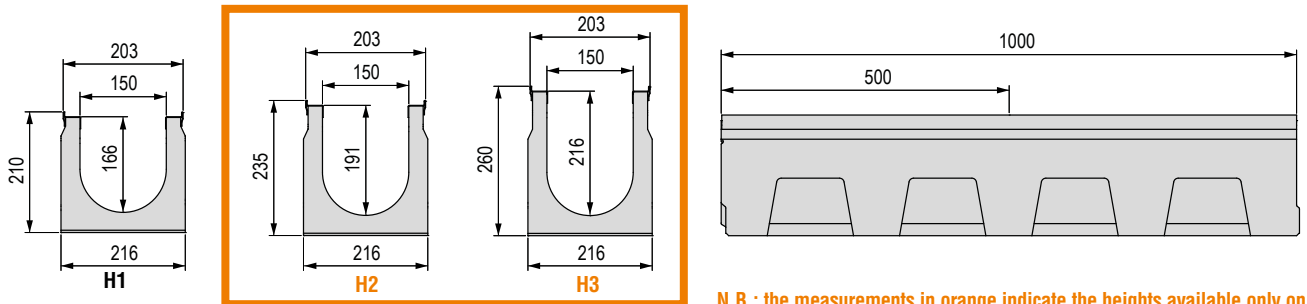
### (with edge rail)

Grating width 200 mm

Vibro-compressed concrete channel with galvanised protective edge rails. The channels are sold exclusively in complete pallets and together with the gratings.



### Vibro-Base 150 EVO Series channel dimensions



N.B.: the measurements in orange indicate the heights available only on request

### Available grating

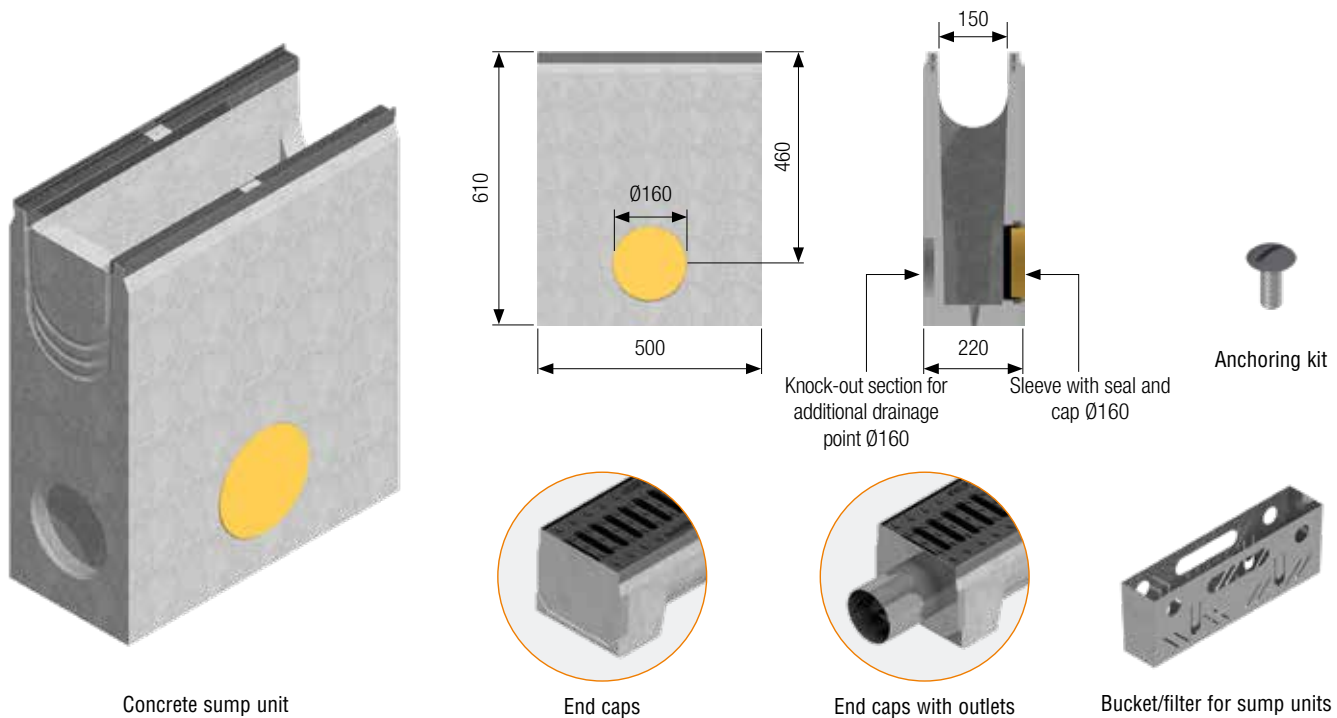
GJS500-7 ductile iron  
inlay grating  
**C 250**



### Vibro-Base 150 EVO Series channel complete with grating - Length 1000 / 500 mm

Channel L. mm	Code	Description of the H1 channel assembled with the grating complete with accessories	Weight kg	Load class
1000	4F10SPS	EVO Series channel with galvanised edge rail, complete with 2 x GJS500-7 ductile iron inlay gratings	57.96	C 250
500	4F15SPS	EVO Series channel with galvanised edge rail, complete with GJS500-7 ductile iron inlay grating	28.98	C 250

## Vibro-Base 150 EVO Series accessories



Concrete sump unit

End caps

End caps with outlets

Bucket/filter for sump units

### Vibro-Base 150 EVO Series concrete sump unit complete with grating - Length 500 mm

Sump unit L. mm	Code	Description of the sump unit assembled with the grating complete with accessories	Weight kg	Load class
500	4F10SPZGS	Sump unit with galvanised edge rail, complete with GJS500-7 ductile iron inlay grating	79.11	C 250

### Vibro-Base 150 EVO Series concrete sump unit without grating and accessories

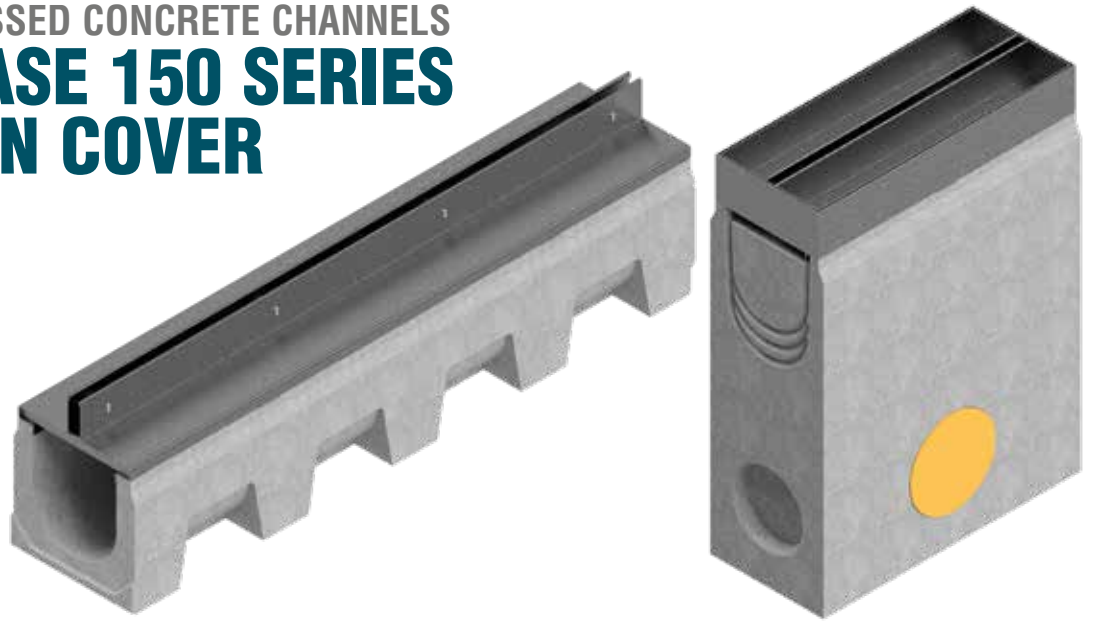
Code	Description	Weight kg
4F10SPZ	Reinforced concrete sump unit with galvanised edge rail L 500 mm	72.98
4R02VI	Bucket/Filter, AISI 304 stainless steel	1.50
4F10TI	End cap for channel H 210	0.51
4F11TI	End cap for channel H 235	0.58
4F12TI	End cap for channel H 260	0.65
4F10RI	End cap with outlet drainage pipe diam. 156 mm for channel H 210	1.34
4F11RI	End cap with outlet drainage pipe diam. 156 mm for channel H 235	1.41
4F12RI	End cap with outlet drainage pipe diam. 156 mm for channel H 260	1.48
4510K	Kit for anchoring the grating to the channel and sump unit	0.024
	Channel bottom drilling Ø132 mm	

# VIBRO-COMPRESSED CONCRETE CHANNELS

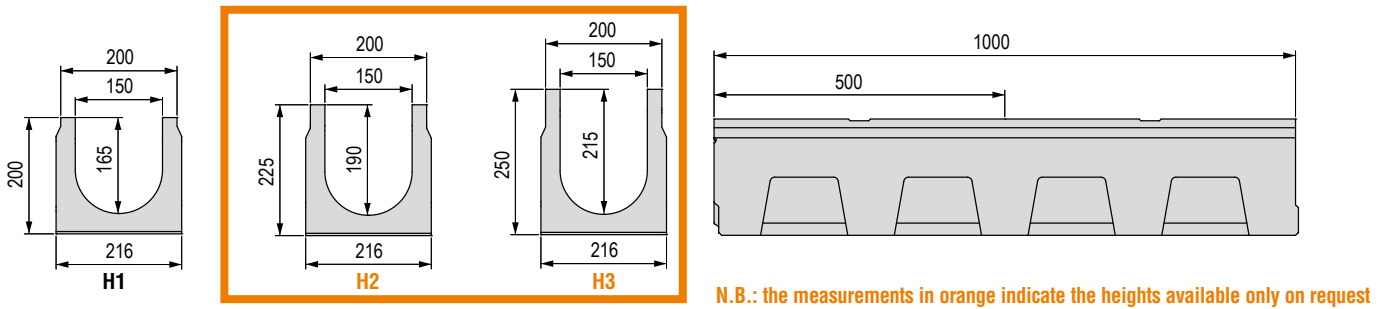
## VIBRO-BASE 150 SERIES

### WITH THIN COVER

### CENTRAL SLOT

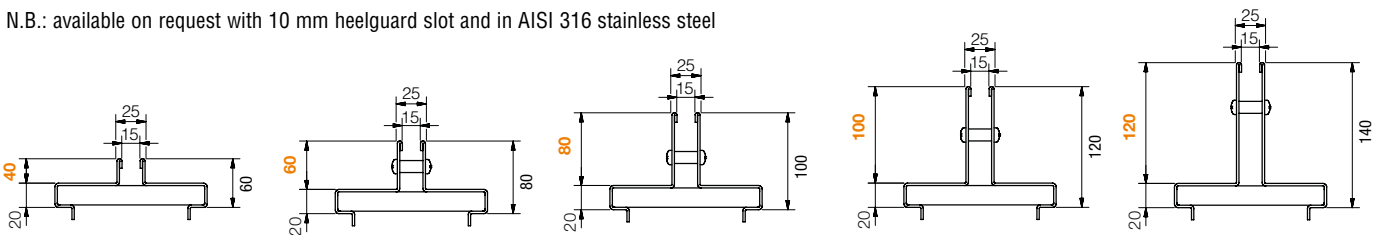


### Vibro-Base 150 Series channel dimensions



### Available Thin covers

N.B.: available on request with 10 mm heelguard slot and in AISI 316 stainless steel



### Vibro-Base 150 Series channel without grating - Length 1000 / 500 mm

Channel L. mm	Code	Description	Water passage mm	Run-off section cm <sup>2</sup>	Weight kg	Pieces pallet
1000	4F10S	Vibro-compressed concrete channel H1	150	223	43.62	loose
	4F11S	Vibro-compressed concrete channel H2	150	261	46.85	loose
	4F12S	Vibro-compressed concrete channel H3	150	298	48.35	loose
500	4F15S	Vibro-compressed concrete channel H1	150	223	21.81	loose
	4F16S	Vibro-compressed concrete channel H2	150	261	23.43	loose
	4F17S	Vibro-compressed concrete channel H3	150	298	24.2	loose

### Vibro-Base 150 Series concrete sump unit without grating

Sump unit L. mm	Code	Description	Weight kg
500	4F10PZ	Reinforced concrete sump unit L 500 mm	72.25

## Thin covers with central slot - Slot width 15 mm

### GALVANISED

N.B.: the Thin cover is supplied loose

Cover L. mm	Code	Description	Slot height mm	Weight kg	Load class
1000	4F10T0	Thin central cover, hot-dip galvanised, Th. 20/10	40	6.73	C 250
	4F10T	Thin central cover, hot-dip galvanised, Th. 20/10	60	7.36	
	4F10T1	Thin central cover, hot-dip galvanised, Th. 20/10	80	7.99	D 400
	4F10T2	Thin central cover, hot-dip galvanised, Th. 20/10	100	8.61	
	4F10T3	Thin central cover, hot-dip galvanised, Th. 20/10	120	9.24	
500	4F15T0	Thin central cover, hot-dip galvanised, Th. 20/10	40	3.37	C 250
	4F15T	Thin central cover, hot-dip galvanised, Th. 20/10	60	3.68	
	4F15T1	Thin central cover, hot-dip galvanised, Th. 20/10	80	4.00	D 400
	4F15T2	Thin central cover, hot-dip galvanised, Th. 20/10	100	4.31	
	4F15T3	Thin central cover, hot-dip galvanised, Th. 20/10	120	4.62	

### AISI 304 STAINLESS STEEL

N.B.: the Thin cover is supplied loose

1000	4F10I0	Thin central cover, <b>AISI 304 stainless steel</b> , Th. 20/10	40	6.73	C 250
	4F10I	Thin central cover, <b>AISI 304 stainless steel</b> , Th. 20/10	60	7.36	
	4F10I1	Thin central cover, <b>AISI 304 stainless steel</b> , Th. 20/10	80	7.99	D 400
	4F10I2	Thin central cover, <b>AISI 304 stainless steel</b> , Th. 20/10	100	8.61	
	4F10I3	Thin central cover, <b>AISI 304 stainless steel</b> , Th. 20/10	120	9.24	
500	4F15I0	Thin central cover, <b>AISI 304 stainless steel</b> , Th. 20/10	40	3.37	C 250
	4F15I	Thin central cover, <b>AISI 304 stainless steel</b> , Th. 20/10	60	3.68	
	4F15I1	Thin central cover, <b>AISI 304 stainless steel</b> , Th. 20/10	80	4.00	D 400
	4F15I2	Thin central cover, <b>AISI 304 stainless steel</b> , Th. 20/10	100	4.31	
	4F15I3	Thin central cover, <b>AISI 304 stainless steel</b> , Th. 20/10	120	4.62	

## Inspection buckets for Thin covers with central slot - Slot width 15 mm

### GALVANISED

N.B.: the Thin bucket is supplied loose

Bucket L.mm	Code	Description	Slot height mm	Weight kg	Load class
500	4F15V0	Inspection bucket for galvanised Thin central cover	40	5.13	C 250
	4F15V	Inspection bucket for galvanised Thin central cover	60	5.88	
	4F15V1	Inspection bucket for galvanised Thin central cover	80	6.63	D 400
	4F15V2	Inspection bucket for galvanised Thin central cover	100	7.37	
	4F15V3	Inspection bucket for galvanised Thin central cover	120	8.12	

### AISI 304 STAINLESS STEEL

N.B.: the Thin bucket is supplied loose

500	4F15VI0	Inspection bucket for Thin central cover made of <b>AISI 304 stainless steel</b>	40	5.13	C 250
	4F15VI	Inspection bucket for Thin central cover made of <b>AISI 304 stainless steel</b>	60	5.88	
	4F15VI1	Inspection bucket for Thin central cover made of <b>AISI 304 stainless steel</b>	80	6.63	D 400
	4F15VI2	Inspection bucket for Thin central cover made of <b>AISI 304 stainless steel</b>	100	7.37	
	4F15VI3	Inspection bucket for Thin central cover made of <b>AISI 304 stainless steel</b>	120	8.12	

## Thin covers accessories



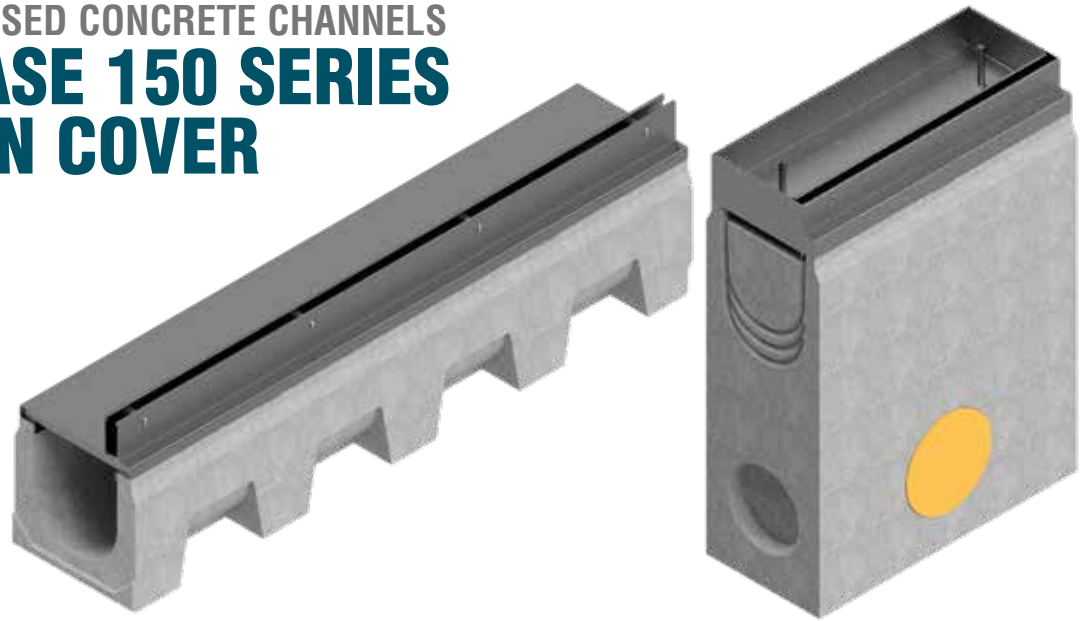
Code	Description
S4505TP5	PVC closure for 15mm thin slit cover, length = 500mm
S4505TP	PVC closure for 15mm thin slit cover, length = 1000mm

# VIBRO-COMPRESSED CONCRETE CHANNELS

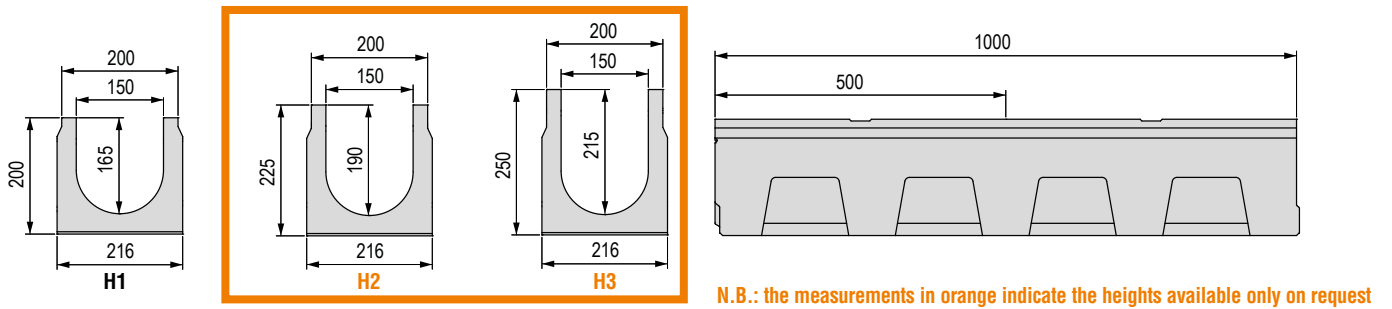
## VIBRO-BASE 150 SERIES

### WITH THIN COVER

#### SIDE SLOT

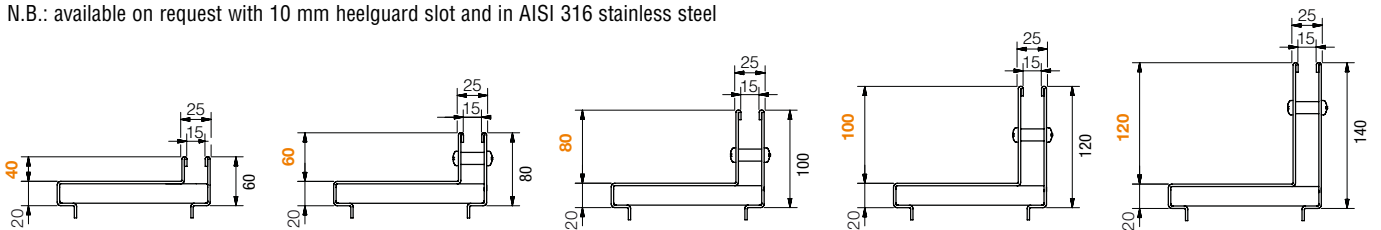


### Vibro-Base 150 Series channel dimensions



### Available Thin covers

N.B.: available on request with 10 mm heelguard slot and in AISI 316 stainless steel



### Vibro-Base 150 Series channel without grating - Length 1000 / 500 mm

Channel L. mm	Code	Description	Water passage mm	Run-off section cm <sup>2</sup>	Weight kg	Pieces pallet
1000	4F10S	Vibro-compressed concrete channel H1	150	223	43.62	loose
	4F11S	Vibro-compressed concrete channel H2	150	261	46.85	loose
	4F12S	Vibro-compressed concrete channel H3	150	298	48.35	loose
500	4F15S	Vibro-compressed concrete channel H1	150	223	21.81	loose
	4F16S	Vibro-compressed concrete channel H2	150	261	23.43	loose
	4F17S	Vibro-compressed concrete channel H3	150	298	24.2	loose

### Vibro-Base 150 Series concrete sump unit without grating

Sump unit L. mm	Code	Description	Weight kg
500	4F10PZ	Reinforced concrete sump unit L 500 mm	72.25

## Thin covers with side slot - Slot width 15 mm

### GALVANISED

N.B.: the Thin cover is supplied loose

Cover L. mm	Code	Description	Slot height mm	Weight kg	Load class
1000	4F10L0	Thin side cover, hot-dip galvanised, Th. 20/10	40	6.73	C 250
	4F10L	Thin side cover, hot-dip galvanised, Th. 20/10	60	7.36	
	4F10L1	Thin side cover, hot-dip galvanised, Th. 20/10	80	7.99	D 400
	4F10L2	Thin side cover, hot-dip galvanised, Th. 20/10	100	8.61	
	4F10L3	Thin side cover, hot-dip galvanised, Th. 20/10	120	9.24	
500	4F15L0	Thin side cover, hot-dip galvanised, Th. 20/10	40	3.37	C 250
	4F15L	Thin side cover, hot-dip galvanised, Th. 20/10	60	3.68	
	4F15L1	Thin side cover, hot-dip galvanised, Th. 20/10	80	4.00	D 400
	4F15L2	Thin side cover, hot-dip galvanised, Th. 20/10	100	4.31	
	4F15L3	Thin side cover, hot-dip galvanised, Th. 20/10	120	4.62	

### AISI 304 STAINLESS STEEL

N.B.: the Thin cover is supplied loose

1000	4F10IL0	Thin side cover, <b>AISI 304 stainless steel</b> , Th. 20/10	40	6.80	C 250
	4F10IL	Thin side cover, <b>AISI 304 stainless steel</b> , Th. 20/10	60	7.20	
	4F10IL1	Thin side cover, <b>AISI 304 stainless steel</b> , Th. 20/10	80	7.48	D 400
	4F10IL2	Thin side cover, <b>AISI 304 stainless steel</b> , Th. 20/10	100	8.10	
	4F10IL3	Thin side cover, <b>AISI 304 stainless steel</b> , Th. 20/10	120	8.74	
500	4F15IL0	Thin side cover, <b>AISI 304 stainless steel</b> , Th. 20/10	40	3.40	C 250
	4F15IL	Thin side cover, <b>AISI 304 stainless steel</b> , Th. 20/10	60	3.60	
	4F15IL1	Thin side cover, <b>AISI 304 stainless steel</b> , Th. 20/10	80	3.74	D 400
	4F15IL2	Thin side cover, <b>AISI 304 stainless steel</b> , Th. 20/10	100	4.05	
	4F15IL3	Thin side cover, <b>AISI 304 stainless steel</b> , Th. 20/10	120	4.37	

## Inspection buckets for Thin covers with side slot - Slot width 15 mm

### GALVANISED

N.B.: the Thin bucket is supplied loose

Bucket L.mm	Code	Description	Slot height mm	Weight kg	Load class
500	4F15VL0	Inspection bucket for galvanised Thin side cover	40	5.13	C 250
	4F15VL	Inspection bucket for galvanised Thin side cover	60	5.88	
	4F15VL1	Inspection bucket for galvanised Thin side cover	80	6.63	D 400
	4F15VL2	Inspection bucket for galvanised Thin side cover	100	7.37	
	4F15VL3	Inspection bucket for galvanised Thin side cover	120	8.12	

### AISI 304 STAINLESS STEEL

N.B.: the Thin bucket is supplied loose

500	4F15VLI0	Inspection bucket for Thin side cover made of <b>AISI 304 stainless steel</b>	40	5.13	C 250
	4F15VLI	Inspection bucket for Thin side cover made of <b>AISI 304 stainless steel</b>	60	5.88	
	4F15VLI1	Inspection bucket for Thin side cover made of <b>AISI 304 stainless steel</b>	80	6.63	D 400
	4F15VLI2	Inspection bucket for Thin side cover made of <b>AISI 304 stainless steel</b>	100	7.37	
	4F15VLI3	Inspection bucket for Thin side cover made of <b>AISI 304 stainless steel</b>	120	8.12	

## Thin covers accessories



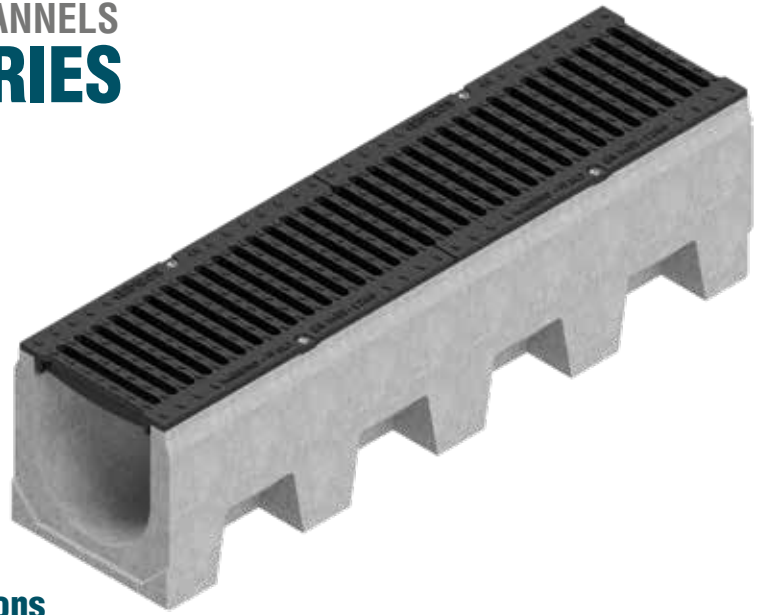
Code	Description
S4505TP5	PVC closure for 15mm thin slit cover, length = 500mm
S4505TP	PVC closure for 15mm thin slit cover, length = 1000mm

# VIBRO-COMPRESSED CONCRETE CHANNELS

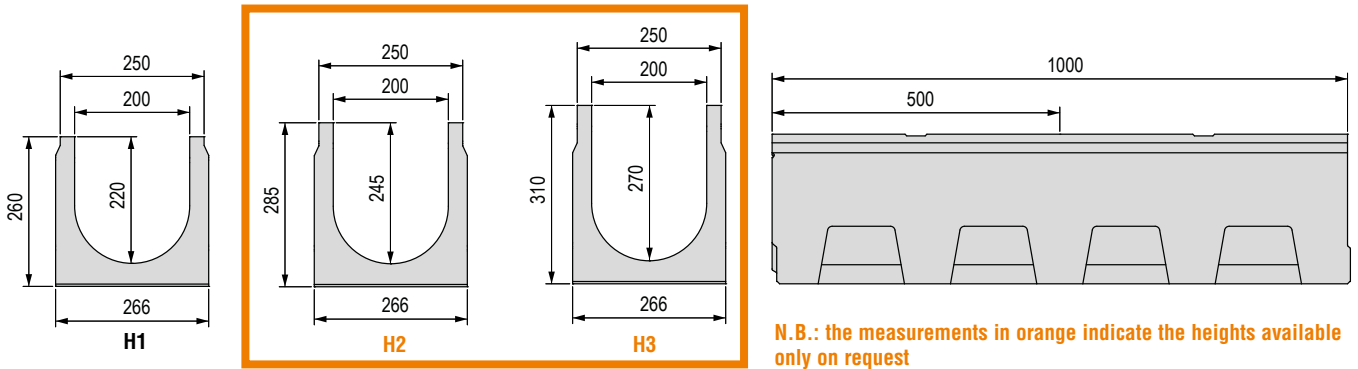
## VIBRO-BASE 200 SERIES

Grating width 250 mm

Vibro-compressed concrete channel.  
The channels are sold exclusively in complete pallets and together with the gratings.



### Vibro-Base 200 Series channel dimensions



### Available gratings

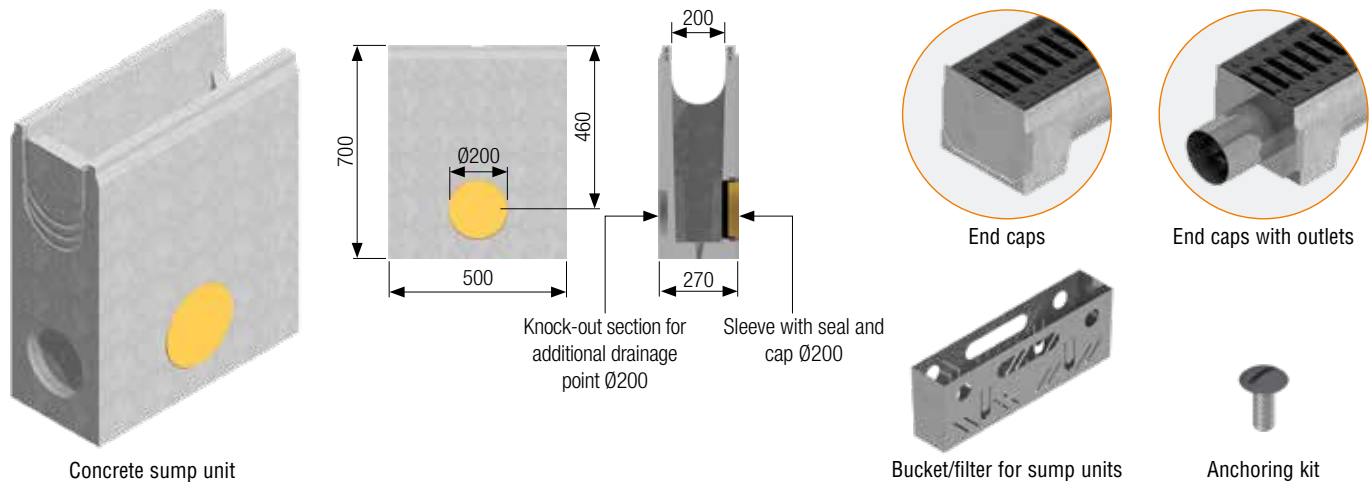


### Vibro-Base 200 Series channel complete with grating - Length 1000 / 500 mm

Channel L. mm	Code	Grating	Description of the H1 channel assembled with the grating complete with accessories	Weight kg	Load class
1000	4F20SA	①	Channel complete with pressure-locked inlay grating 30x2-10x2 33x33, hot-dip galvanised	66.03	A 15
	4F20SAA	②	Channel complete with pressure-locked heelguard inlay grating 30x2-10x2 55x11, hot-dip galvanised	66.96	
	4F20SB	③	Channel complete with pressure-locked inlay grating 40x2-10x2 33x33, hot-dip galvanised	67.64	B 125
	4F20SBA	④	Channel complete with pressure-locked inlay grating 40x2-10x2 55x11 heelguard mesh, hot-dip galvanised	68.16	
	4F20SGS	⑤	Channel complete with 2 x GJS500-7 ductile iron inlay gratings	81.86	C 250
500	4F25SA	①	Channel complete with pressure-locked inlay grating 30x2-10x2 33x33, hot-dip galvanised	33.02	A 15
	4F25SAA	②	Channel complete with pressure-locked heelguard inlay grating 30x2-10x2 55x11, hot-dip galvanised	33.48	
	4F25SB	③	Channel complete with pressure-locked inlay grating 40x2-10x2 33x33, hot-dip galvanised	33.82	B 125
	4F25SBA	④	Channel complete with pressure-locked heelguard inlay grating 40x2-10x2 55x11, hot-dip galvanised	34.08	
	4F25SGS	⑤	Channel complete with GJS500-7 ductile iron inlay grating	40.93	C 250



## Vibro-Base 200 Series accessories



### Vibro-Base 200 Series concrete sump unit complete with grating - Length 500 mm

Sump unit L. mm	Code	Grating	Description of the sump unit assembled with the grating complete with accessories	Weight kg	Load class
500	4F20PZA	①	Sump unit complete with pressure-locked inlay grating 30x2-10x2 33x33, hot-dip galvanised	99.40	A 15
	4F20PZAA	②	Sump unit complete with pressure-locked heelguard inlay grating 30x2-10x2 55x11, hot-dip galvanised	99.93	
	4F20PZB	③	Sump unit complete with pressure-locked inlay grating 40x2-10x2 33x33, hot-dip galvanised	100.67	B 125
	4F20PZBA	④	Sump unit complete with pressure-locked heelguard inlay grating 40x2-10x2 55x11, hot-dip galvanised	100.67	
	4F20PZGS	⑤	Sump unit complete with GJS500-7 ductile iron inlay grating	107.44	C 250

### Vibro-Base 200 Series concrete sump unit without grating and accessories

Code	Description	Weight kg
4F20PZ	Reinforced concrete sump unit L 500 mm	96.80
4R03VI	Bucket/Filter, AISI 304 stainless steel	1.71
4F20TI	End cap h260	1.07
4F21TI	End cap h285	1.14
4F22TI	End cap h310	1.21
4F20RI	End cap with outlet drainage pipe diam. 156 mm for channel h260	1.67
4F21RI	End cap with outlet drainage pipe diam. 156 mm for channel h285	1.74
4F22RI	End cap with outlet drainage pipe diam. 156 mm for channel h310	1.81
4510K	Kit for anchoring the grating to the channel and sump unit	0.024
	Channel bottom drilling Ø162 mm	

### Vibro-Base 200 Series channel without grating - Length 1000 / 500 mm

Channel L. mm	Code	Description	Water passage mm	Run-off section cm <sup>2</sup>	Weight kg	Pieces pallet
1000	4F20S	Vibro-compressed concrete channel H1	200	397	60.50	16
	4F21S	Vibro-compressed concrete channel H2	200	447	62.03	16
	4F22S	Vibro-compressed concrete channel H3	200	497	63.55	16
500	4F25S	Vibro-compressed concrete channel H1	200	397	30.25	loose
	4F26S	Vibro-compressed concrete channel H2	200	447	31.12	loose
	4F27S	Vibro-compressed concrete channel H3	200	497	31.78	loose

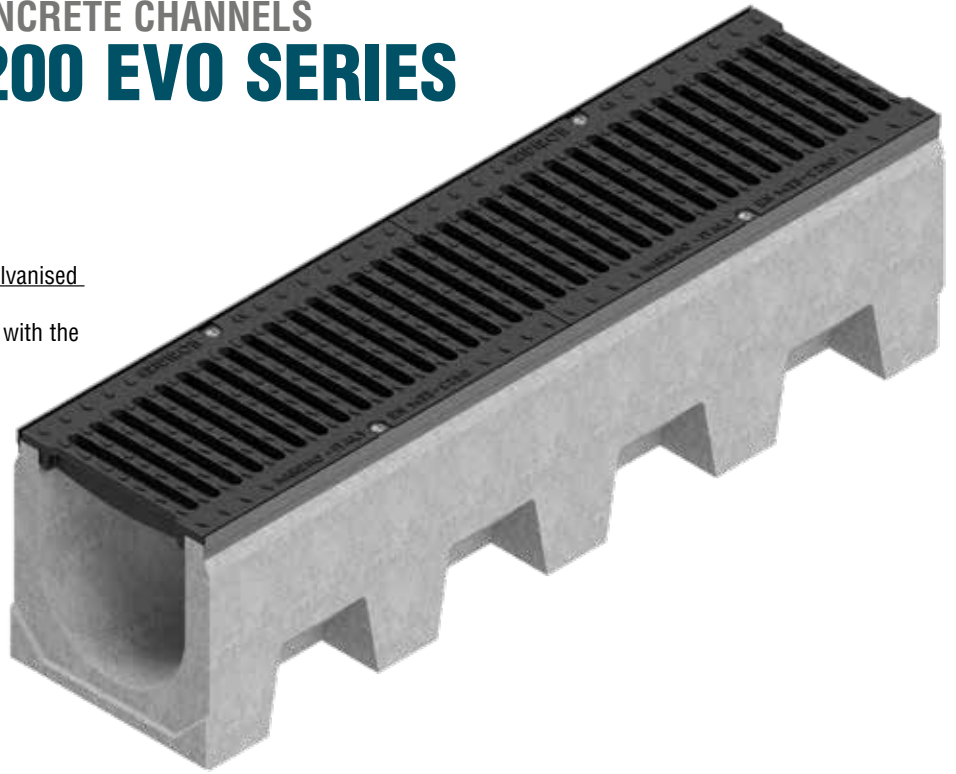
# VIBRO-COMPRESSED CONCRETE CHANNELS

## VIBRO-BASE 200 EVO SERIES

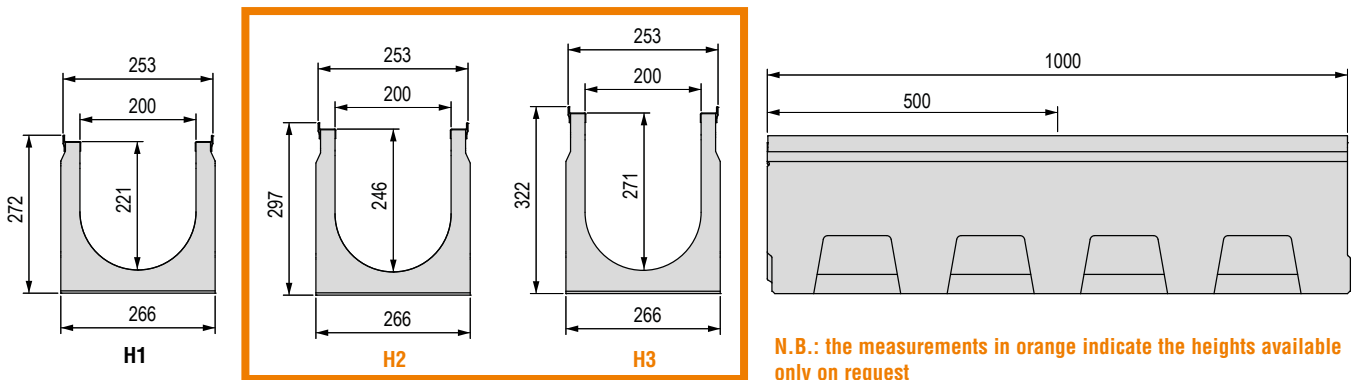
### (with edge rail)

Grating width 250 mm

Vibro-compressed concrete channel with galvanised protective edge rails. The channels are sold exclusively in complete pallets and together with the gratings.



### Vibro-Base 200 EVO Series channel dimensions



### Available grating

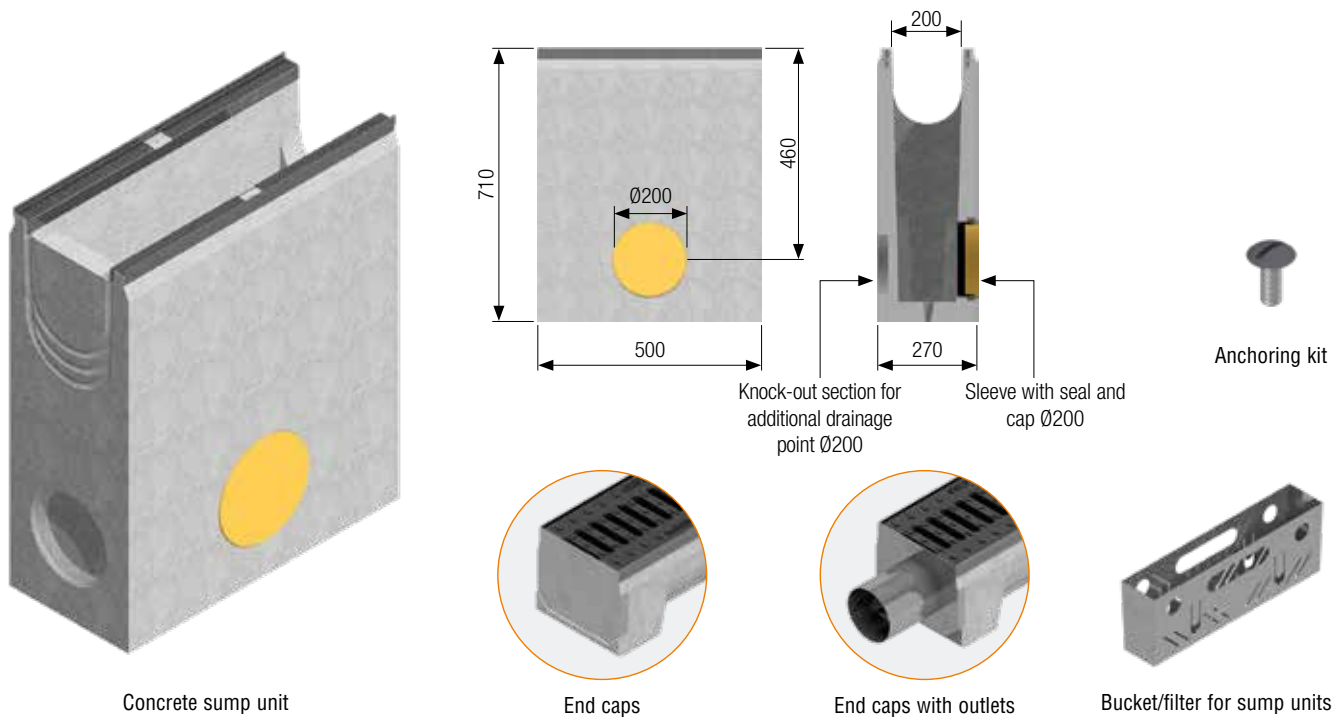
GJS500-7 ductile iron  
inlay grating  
**C 250**



### Vibro-Base 200 EVO Series channel complete with grating - Length 1000 / 500 mm

Channel L. mm	Code	Description of the H1 channel assembled with the grating complete with accessories	Weight kg	Load class
1000	4F20SPS	EVO Series channel with galvanised edge rail, complete with 2 x GJS500-7 ductile iron inlay gratings	83.86	<b>C 250</b>
500	4F25SPS	EVO Series channel with galvanised edge rail, complete with GJS500-7 ductile iron inlay grating	41.93	<b>C 250</b>

## Vibro-Base 200 EVO Series accessories



### Vibro-Base 200 EVO Series sump unit with grating - Length 500 mm

Sump unit L. mm	Code	Description of the sump unit assembled with the grating complete with accessories	Weight kg	Load class
500	4F20SPZGS	Sump unit with galvanised edge rail, complete with GJS500-7 ductile iron inlay grating	108.17	C 250

### Vibro-Base 200 EVO Series concrete sump unit without grating and accessories

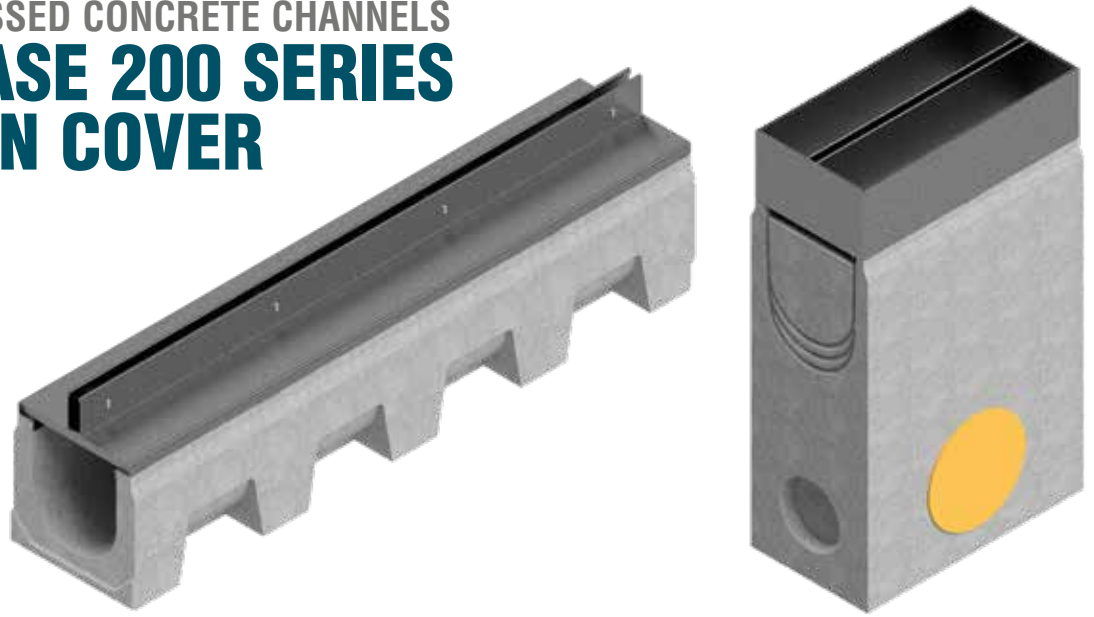
Code	Description	Weight kg
4F20SPZ	Reinforced concrete sump unit with galvanised edge rail L 500 mm	96.8
4R03VI	Bucket/Filter, AISI 304 stainless steel	1.71
4F20TI	End cap for channel H 272	1.07
4F21TI	End cap for channel H 297	1.14
4F22TI	End cap for channel H 322	1.21
4F20RI	End cap with outlet drainage pipe diam. 156 mm for channel H 272	1.67
4F21RI	End cap with outlet drainage pipe diam. 156 mm for channel H 297	1.74
4F22RI	End cap with outlet drainage pipe diam. 156 mm for channel H 322	1.81
4510K	Kit for anchoring the grating to the channel and sump unit	0.024
	Channel bottom drilling $\varnothing 162$ mm	

# VIBRO-COMPRESSED CONCRETE CHANNELS

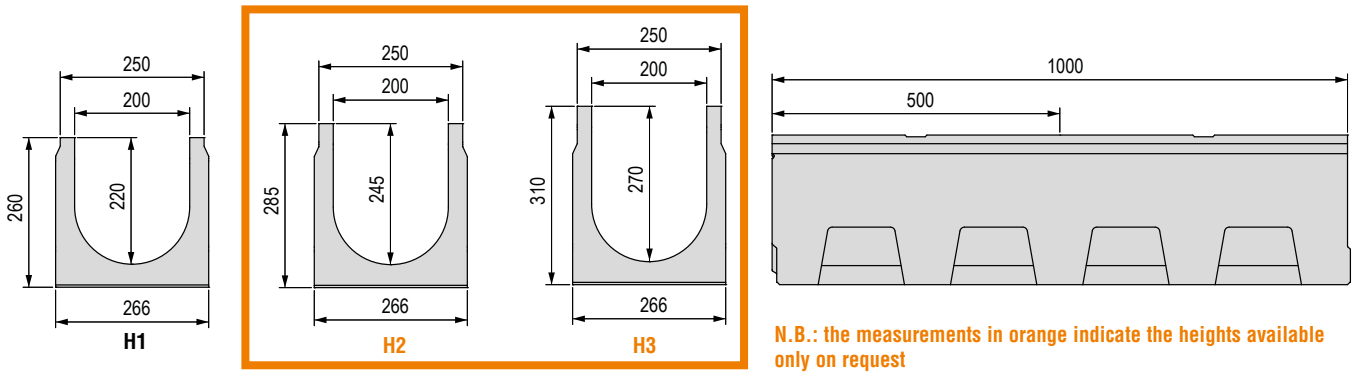
## VIBRO-BASE 200 SERIES

### WITH THIN COVER

### CENTRAL SLOT

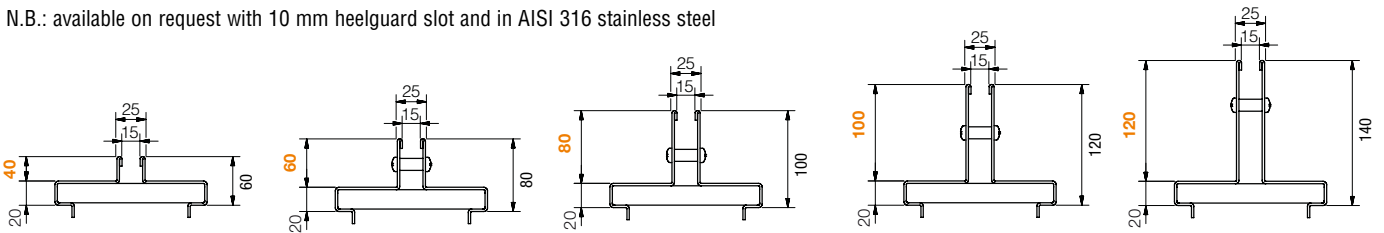


### Vibro-Base 200 Series channel dimensions



### Available Thin covers

N.B.: available on request with 10 mm heelguard slot and in AISI 316 stainless steel



### Vibro-Base 200 Series channel without grating - Length 1000 / 500 mm

Channel L. mm	Code	Description	Water passage mm	Run-off section cm <sup>2</sup>	Weight kg	Pieces pallet
1000	4F20S	Vibro-compressed concrete channel H1	200	397	60.50	loose
	4F21S	Vibro-compressed concrete channel H2	200	447	62.03	loose
	4F22S	Vibro-compressed concrete channel H3	200	497	63.55	loose
500	4F25S	Vibro-compressed concrete channel H1	200	397	30.25	loose
	4F26S	Vibro-compressed concrete channel H2	200	447	31.12	loose
	4F27S	Vibro-compressed concrete channel H3	200	497	31.78	loose

### Vibro-Base 200 Series concrete sump unit without grating

Sump unit L. mm	Code	Description	Weight kg
500	4F20PZ	Reinforced concrete sump unit L 500 mm	96.80

## Thin covers with central slot - Slot width 15 mm

### GALVANISED

N.B.: the Thin cover is supplied loose

Cover L. mm	Code	Description	Slot height mm	Weight kg	Load class
1000	4F20T0	Thin central cover, hot-dip galvanised, Th. 20/10	40	7.77	C 250
	4F20T	Thin central cover, hot-dip galvanised, Th. 20/10	60	8.40	
	4F20T1	Thin central cover, hot-dip galvanised, Th. 20/10	80	9.03	D 400
	4F20T2	Thin central cover, hot-dip galvanised, Th. 20/10	100	9.65	
	4F20T3	Thin central cover, hot-dip galvanised, Th. 20/10	120	10.28	
500	4F25T0	Thin central cover, hot-dip galvanised, Th. 20/10	40	3.89	C 250
	4F25T	Thin central cover, hot-dip galvanised, Th. 20/10	60	4.20	
	4F25T1	Thin central cover, hot-dip galvanised, Th. 20/10	80	4.51	D 400
	4F25T2	Thin central cover, hot-dip galvanised, Th. 20/10	100	4.83	
	4F25T3	Thin central cover, hot-dip galvanised, Th. 20/10	120	5.14	

### AISI 304 STAINLESS STEEL

N.B.: the Thin cover is supplied loose

1000	4F20I0	Thin central cover, <b>AISI 304 stainless steel</b> , Th. 20/10	40	7.77	C 250
	4F20I	Thin central cover, <b>AISI 304 stainless steel</b> , Th. 20/10	60	8.40	
	4F20I1	Thin central cover, <b>AISI 304 stainless steel</b> , Th. 20/10	80	9.03	D 400
	4F20I2	Thin central cover, <b>AISI 304 stainless steel</b> , Th. 20/10	100	9.66	
	4F20I3	Thin central cover, <b>AISI 304 stainless steel</b> , Th. 20/10	120	10.28	
500	4F25I0	Thin central cover, <b>AISI 304 stainless steel</b> , Th. 20/10	40	3.89	C 250
	4F25I	Thin central cover, <b>AISI 304 stainless steel</b> , Th. 20/10	60	4.20	
	4F25I1	Thin central cover, <b>AISI 304 stainless steel</b> , Th. 20/10	80	4.52	D 400
	4F25I2	Thin central cover, <b>AISI 304 stainless steel</b> , Th. 20/10	100	4.83	
	4F25I3	Thin central cover, <b>AISI 304 stainless steel</b> , Th. 20/10	120	5.14	

## Inspection buckets for Thin covers with central slot - Slot width 15 mm

### GALVANISED

N.B.: the Thin bucket is supplied loose

Bucket L.mm	Code	Description	Slot height mm	Weight kg	Load class
500	4F25V0	Inspection bucket for galvanised Thin central cover	40	5.83	C 250
	4F25V	Inspection bucket for galvanised Thin central cover	60	6.61	
	4F25V1	Inspection bucket for galvanised Thin central cover	80	7.39	D 400
	4F25V2	Inspection bucket for galvanised Thin central cover	100	8.17	
	4F25V3	Inspection bucket for galvanised Thin central cover	120	8.96	

### AISI 304 STAINLESS STEEL

N.B.: the Thin bucket is supplied loose

500	4F25VI0	Inspection bucket for Thin central cover made of <b>AISI 304 stainless steel</b>	40	5.83	C 250
	4F25VI	Inspection bucket for Thin central cover made of <b>AISI 304 stainless steel</b>	60	6.61	
	4F25VI1	Inspection bucket for Thin central cover made of <b>AISI 304 stainless steel</b>	80	7.39	D 400
	4F25VI2	Inspection bucket for Thin central cover made of <b>AISI 304 stainless steel</b>	100	8.17	
	4F25VI3	Inspection bucket for Thin central cover made of <b>AISI 304 stainless steel</b>	120	8.96	

## Thin covers accessories



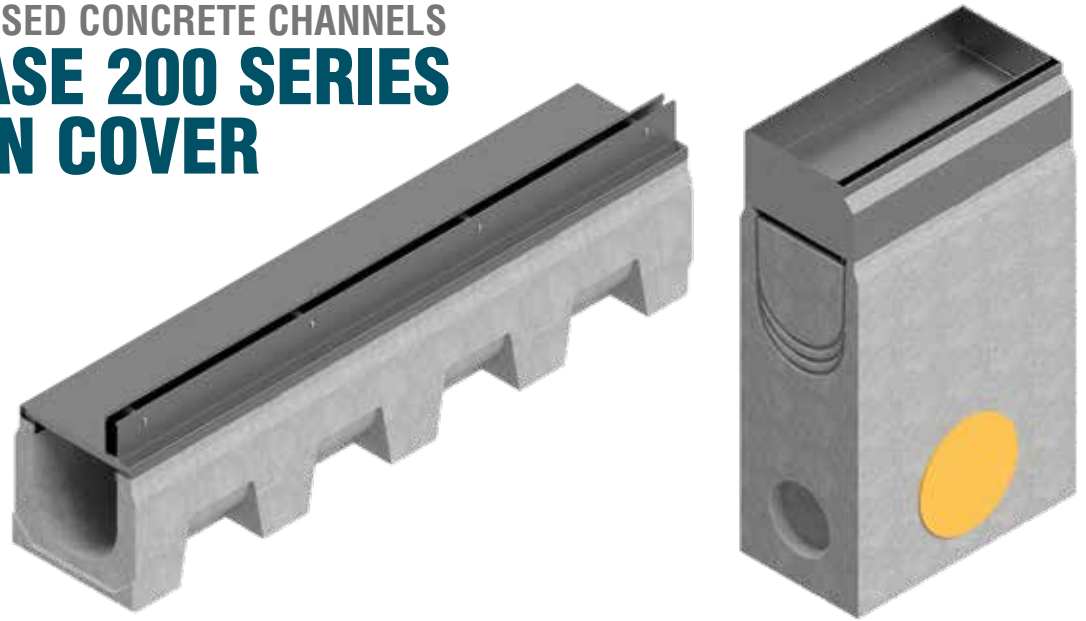
Code	Description
S4505TP5	PVC closure for 15mm thin slit cover, length = 500mm
S4505TP	PVC closure for 15mm thin slit cover, length = 1000mm

# VIBRO-COMPRESSED CONCRETE CHANNELS

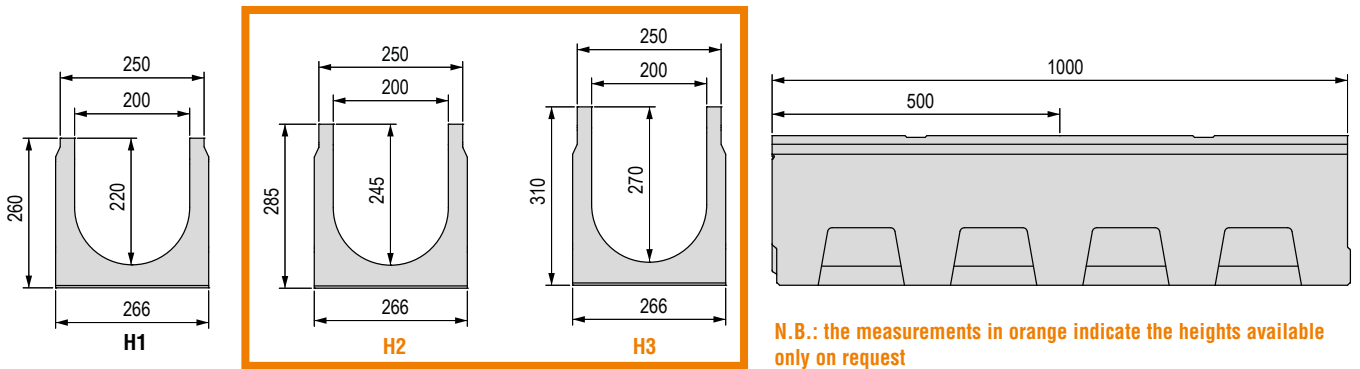
## VIBRO-BASE 200 SERIES

### WITH THIN COVER

#### SIDE SLOT

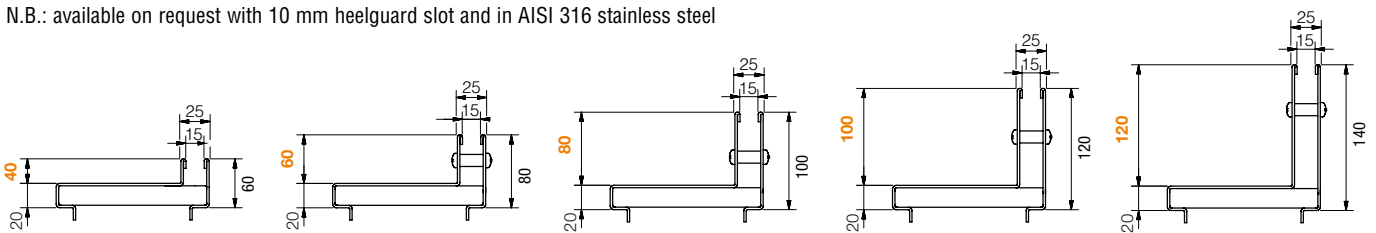


### Vibro-Base 200 Series channel dimensions



### Available Thin covers

N.B.: available on request with 10 mm heelguard slot and in AISI 316 stainless steel



### Vibro-Base 200 Series channel without grating - Length 1000 / 500 mm

Channel L. mm	Code	Description	Water passage mm	Run-off section cm <sup>2</sup>	Weight kg	Pieces pallet
1000	4F20S	Vibro-compressed concrete channel H1	200	397	60.50	loose
	4F21S	Vibro-compressed concrete channel H2	200	447	62.03	loose
	4F22S	Vibro-compressed concrete channel H3	200	497	63.55	loose
500	4F25S	Vibro-compressed concrete channel H1	200	397	30.25	loose
	4F26S	Vibro-compressed concrete channel H2	200	447	31.12	loose
	4F27S	Vibro-compressed concrete channel H3	200	497	31.78	loose

### Vibro-Base 200 Series concrete sump unit without grating

Sump unit L. mm	Code	Description	Weight kg
500	4F20PZ	Reinforced concrete sump unit L 500 mm	96.80

## Thin covers with side slot - Slot width 15 mm

### GALVANISED

N.B.: the Thin cover is supplied loose

Cover L. mm	Code	Description	Slot height mm	Weight kg	Load class
1000	4F20L0	Thin side cover, hot-dip galvanised, Th. 20/10	40	7.77	C 250
	4F20L	Thin side cover, hot-dip galvanised, Th. 20/10	60	8.40	
	4F20L1	Thin side cover, hot-dip galvanised, Th. 20/10	80	9.03	D 400
	4F20L2	Thin side cover, hot-dip galvanised, Th. 20/10	100	9.65	
	4F20L3	Thin side cover, hot-dip galvanised, Th. 20/10	120	10.28	
500	4F25L0	Thin side cover, hot-dip galvanised, Th. 20/10	40	3.89	C 250
	4F25L	Thin side cover, hot-dip galvanised, Th. 20/10	60	4.20	
	4F25L1	Thin side cover, hot-dip galvanised, Th. 20/10	80	4.51	D 400
	4F25L2	Thin side cover, hot-dip galvanised, Th. 20/10	100	4.83	
	4F25L3	Thin side cover, hot-dip galvanised, Th. 20/10	120	5.14	

### AISI 304 STAINLESS STEEL

N.B.: the Thin cover is supplied loose

1000	4F20IL0	Thin side cover, <b>AISI 304 stainless steel</b> , Th. 20/10	40	7.77	C 250
	4F20IL	Thin side cover, <b>AISI 304 stainless steel</b> , Th. 20/10	60	8.40	
	4F20IL1	Thin side cover, <b>AISI 304 stainless steel</b> , Th. 20/10	80	9.03	D 400
	4F20IL2	Thin side cover, <b>AISI 304 stainless steel</b> , Th. 20/10	100	9.66	
	4F20IL3	Thin side cover, <b>AISI 304 stainless steel</b> , Th. 20/10	120	10.28	
500	4F25IL0	Thin side cover, <b>AISI 304 stainless steel</b> , Th. 20/10	40	3.89	C 250
	4F25IL	Thin side cover, <b>AISI 304 stainless steel</b> , Th. 20/10	60	4.20	
	4F25IL1	Thin side cover, <b>AISI 304 stainless steel</b> , Th. 20/10	80	4.52	D 400
	4F25IL2	Thin side cover, <b>AISI 304 stainless steel</b> , Th. 20/10	100	4.83	
	4F25IL3	Thin side cover, <b>AISI 304 stainless steel</b> , Th. 20/10	120	5.14	

## Inspection buckets for Thin covers with side slot - Slot width 15 mm

### GALVANISED

N.B.: the Thin bucket is supplied loose

Bucket L.mm	Code	Description	Slot height mm	Weight kg	Load class
500	4F25VL0	Inspection bucket for galvanised Thin side cover	40	5.83	C 250
	4F25VL	Inspection bucket for galvanised Thin side cover	60	6.61	
	4F25VL1	Inspection bucket for galvanised Thin side cover	80	7.39	D 400
	4F25VL2	Inspection bucket for galvanised Thin side cover	100	8.17	
	4F25VL3	Inspection bucket for galvanised Thin side cover	120	8.96	

### AISI 304 STAINLESS STEEL

N.B.: the Thin bucket is supplied loose

500	4F25VLI0	Inspection bucket for Thin side cover made of <b>AISI 304 stainless steel</b>	40	5.83	C 250
	4F25VLI	Inspection bucket for Thin side cover made of <b>AISI 304 stainless steel</b>	60	6.61	
	4F25VLI1	Inspection bucket for Thin side cover made of <b>AISI 304 stainless steel</b>	80	7.39	D 400
	4F25VLI2	Inspection bucket for Thin side cover made of <b>AISI 304 stainless steel</b>	100	8.17	
	4F25VLI3	Inspection bucket for Thin side cover made of <b>AISI 304 stainless steel</b>	120	8.96	

## Thin covers accessories



Code	Description
S4505TP5	PVC closure for 15mm thin slit cover, length = 500mm
S4505TP	PVC closure for 15mm thin slit cover, length = 1000mm



# VIBRO-COMPRESSED CONCRETE CHANNELS



## Load classes

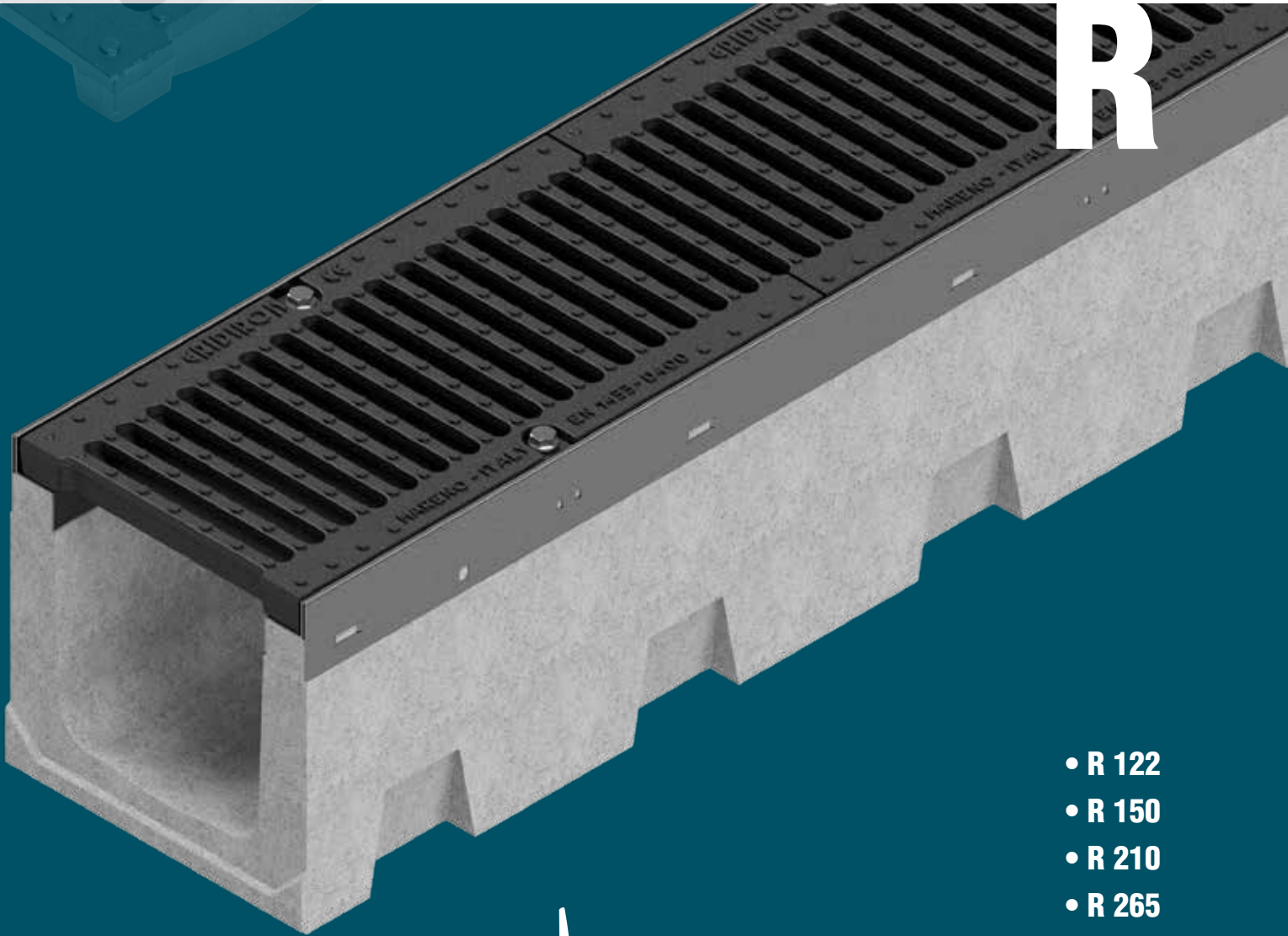
In accordance with the UNI EN 1433 standard



**A 15 • B 125 • C 250 • D 400 • E 600 • F 900**



# SERIES R



- R 122
- R 150
- R 210
- R 265
- R 315
- R 365
- R 495
- R 595



VIBRO-COMPRESSED CONCRETE CHANNELS

**R SERIES**

**SYSTEM AND TECHNICAL CHARACTERISTICS**



**DUCTILE IRON GRATINGS**

For load classes D 400 - E 600, with the possibility of coating them in RAL colours on request

**LOCKING SCREWS AND NUTS**  
made of stainless steel

**BUCKET/FILTER**

th. 10/10, AISI 304 stainless steel

**KNOCK-OUT SECTIONS**

to adapt the sump units to R series channels or for any other drainage points (configured for Ø125 pipes)

**END CAP**  
with outlet

**VIBRO-COMPRESSED CHANNEL**

**SUMP UNIT**  
made of reinforced concrete



**PERFECT AND STABLE JOINING**

The channel end caps are made with male-female connections, with an inner slot that allows for sealing them together. It is advisable to use silicone sealant with neutral cross-linkage and low modulus. To guarantee perfect joining, the bottom sections of the ends are bevelled to prevent laying material from building up when the two parts slide along the underlying bed and are joined together.



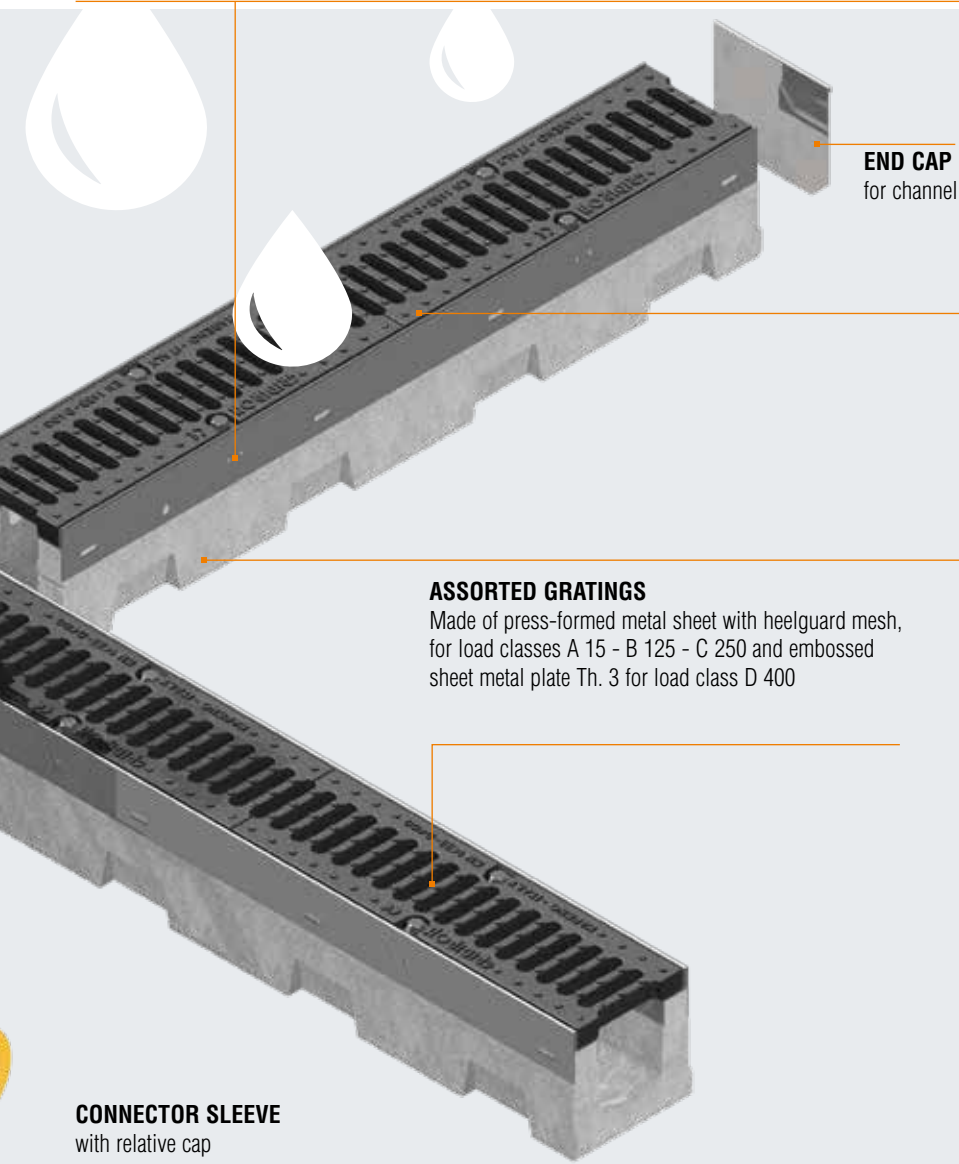
### FASTENING SYSTEM DESIGNED BY GRIDIRON

Tang embedded into the concrete with a housing for the nut through which the screw is inserted



### ANCHORING OF THE GALVANISED EDGE RAILS

The galvanised steel edge rails are anchored to the channel with lateral fastenings and with special anchors designed by GRIDIRON, which house the threaded nut through which the screw is inserted. Given that the edge rail is not directly threaded, this important device allows for easily replacing the nut should its threading become worn.

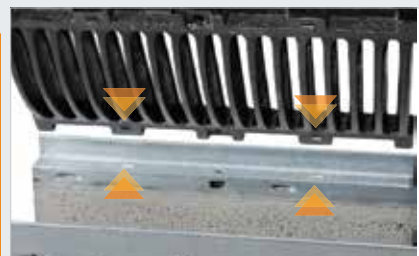


END CAP  
for channel

### ASSORTED GRATINGS

Made of press-formed metal sheet with heelguard mesh, for load classes A 15 - B 125 - C 250 and embossed sheet metal plate Th. 3 for load class D 400

CONNECTOR SLEEVE  
with relative cap



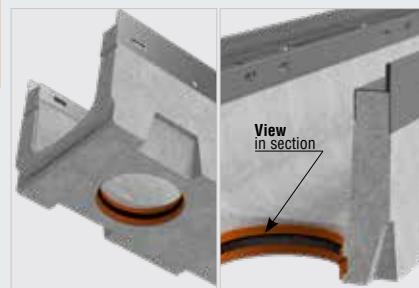
### LOCKING OF THE GRATINGS AND GALVANISED EDGE RAIL

The ductile iron gratings secured to the channel have four relief notches along their lower section which slot into the relative housings on the protective edge rail of the channel to prevent their longitudinal movement.



### MAXIMUM SAFETY

All R SERIES channels must be installed according to the instructions envisaged in the UNI EN 1433 standard. To facilitate this operation, GRIDIRON has created four recesses on each side of the product for improved anchoring to the support and, above all, for easier positioning of the product with the aid of specific equipment, thereby reducing the application time and effort.



### SLEEVE WITH SEAL

R Series channels can be supplied with sleeve including seal directly embedded in the channel. This solution allows the installer to reduce installation time by avoiding punctures and seals. The sleeve allows the insertion of components such as standard tubes and curves on the market.

Available for the **R150, R210, R265 and R315 Series.**

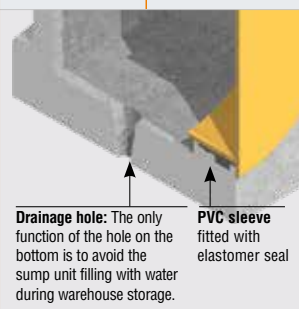
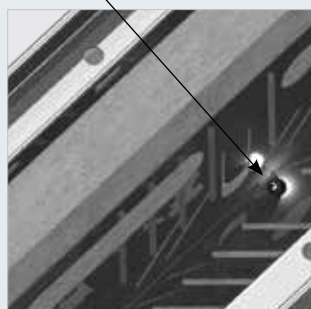
### SPECIAL SUMP UNIT COMPONENTS

Bucket/filter fastened with 2 screws ensuring maximum stability and functionality.

Full and safe drainage through the PVC sleeve; knock-out sections are also included to connect Ø125 pipes

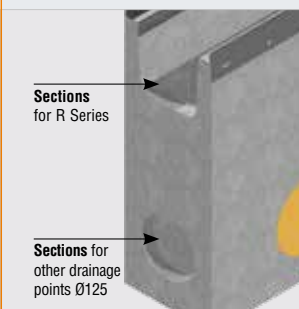
Knock-out sections configured for optimal channel connections. There are also other knock-out sections: 1 on the R 150 model and 3 on all the other models for other drainage points (if required) with Ø125 pipes

Screws



Drainage hole: The only function of the hole on the bottom is to avoid the sump unit filling with water during warehouse storage.

PVC sleeve fitted with elastomer seal



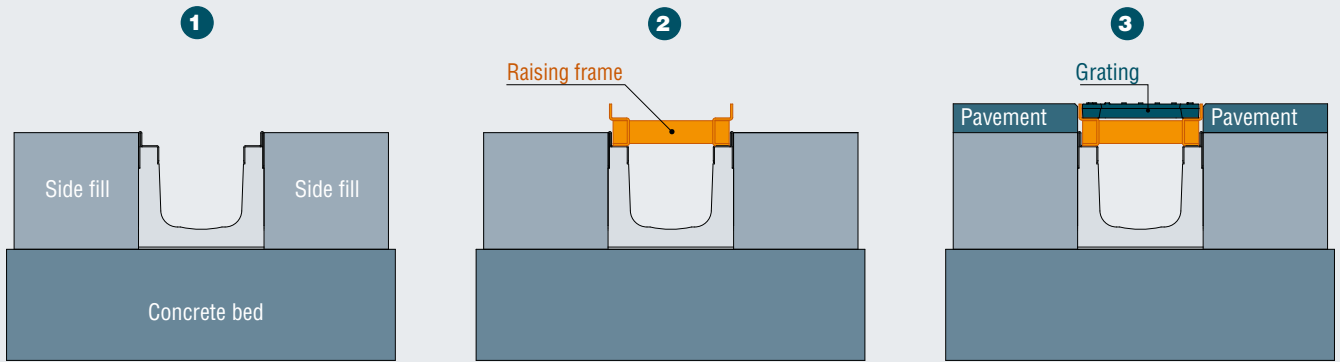
Sections for R Series

Sections for other drainage points Ø125

# VIBRO-COMPRESSED CONCRETE CHANNELS R SERIES

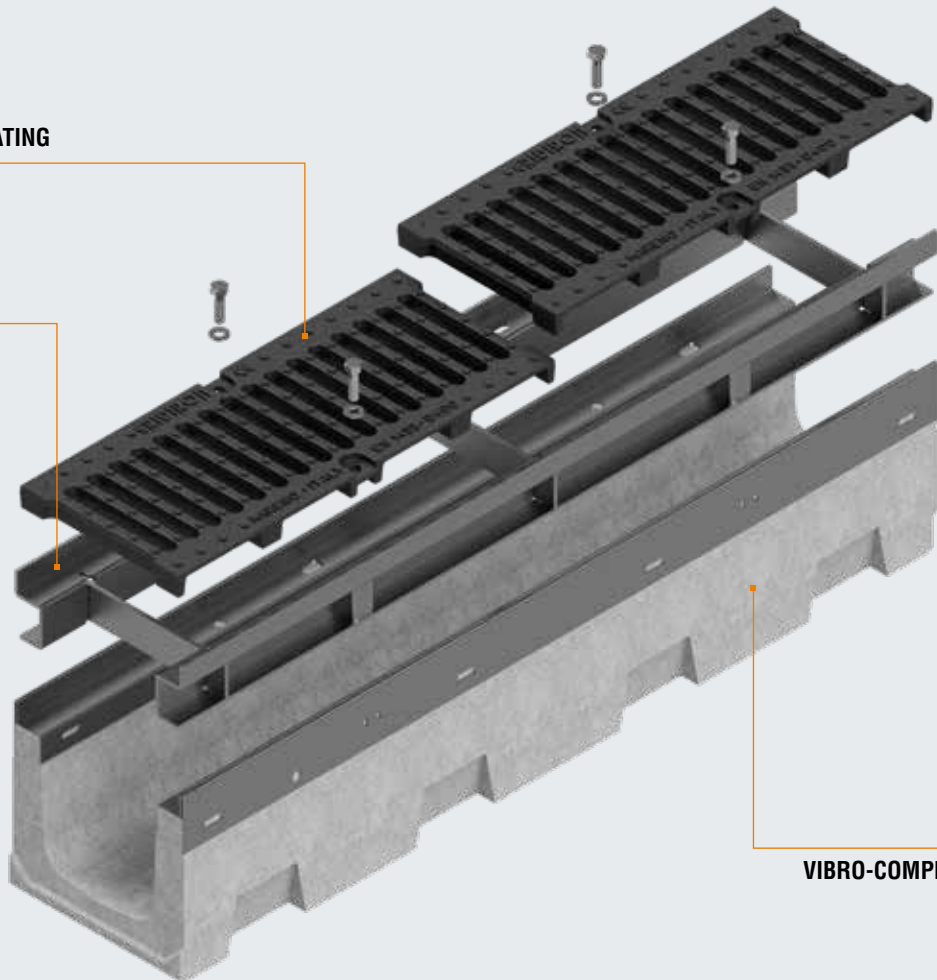
## RAISING FRAME FOR TWO-STAGE LAYING

The steel raising frame is an indispensable element for situations in which the drainage line must be laid but the state of progress of the work entails a certain delay before the installation of the final paving. The raising frame, and hence the paving, can be installed even long after the channel is laid; in this way, the site can be kept dry and safe for the time required to complete the work.



**DUCTILE IRON GRATING**

**RAISING FRAME**



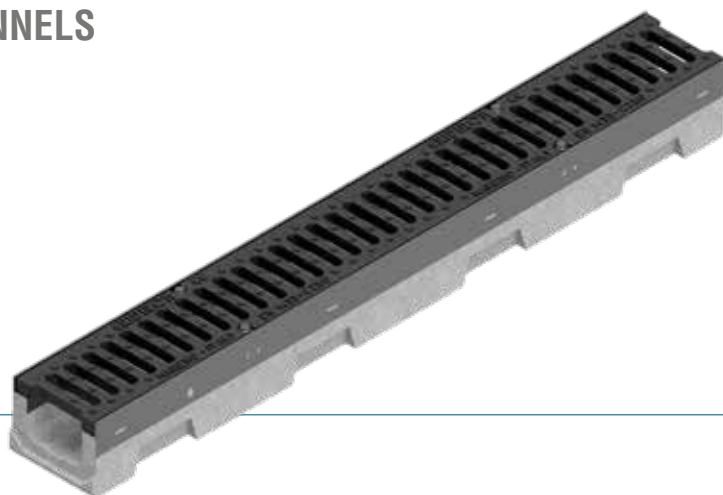
**VIBRO-COMPRESSED CHANNEL**

# VIBRO-COMPRESSED CONCRETE CHANNELS

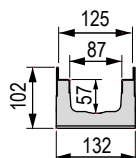
## R 122 SERIES

Grating width 122 mm

Vibro-compressed concrete channel with galvanised protective edge rails.  
The channels are sold exclusively in complete pallets and together with the gratings.



### R 122 Series channel dimensions



### Available gratings N.B.: the gratings in orange are available only on request



- ① Press-formed metal sheet plate Th. 12/10, galvanised **A 15**
- ② Pressure-locked grating, 55x11 heelguard mesh, galvanised **B 125**
- ③ Pressure-locked grating, 33x33 mesh, galvanised **C 250**
- ④ Pressure-locked grating, 33x11 heelguard mesh, galvanised **C 250**
- ⑤ Embossed metal sheet plate Th. 3, galvanised **C 250**
- ⑥ Ductile iron grating **C 250**

### R 122 Series channel complete with grating - Length 1000

Channel L. mm	Code	Grating	Description of the channel assembled with the grating complete with accessories	Weight kg	Load class
1000	4R00SGL	①	Channel complete with press-formed metal sheet grating with C-shaped edges, Th. 12/10, hot-dip galvanised	17.61	<b>A 15</b>
	4R00SGPB	②	Channel complete with pressure-locked grating with C-shaped edges, 20x2-10x2 55x11 heelguard mesh, hot-dip galvanised	18.20	<b>B 125</b>
	4R00SGP	③	Channel complete with pressure-locked grating with C-shaped edges, 20x2-10x2 33x33, hot-dip galvanised	18.38	<b>C 250</b>
	4R00SGPA	④	Channel complete with pressure-locked grating with C-shaped edges, 20x2-10x2 33x11 heelguard mesh, hot-dip galvanised	23.81	
	4R00SP	⑤	Channel complete with embossed metal sheet plate Th. 3, reinforced and hot-dip galvanised	21.79	
	4R00SGG	⑥	Channel complete with 2 x GJS500-7 ductile iron gratings	23.00	

### R 122 Series accessories

Code	Description	Weight kg
4R00TID	Right-hand end cap for channel closure female side	1.16
4R00TIS	Left-hand end cap for channel closure male side	0.30
4R00RI	End cap with outlet for channel Ø40 mm	0.30
	Channel bottom drilling Ø82 mm	

### R 122 Series channel without grating - Length 1000

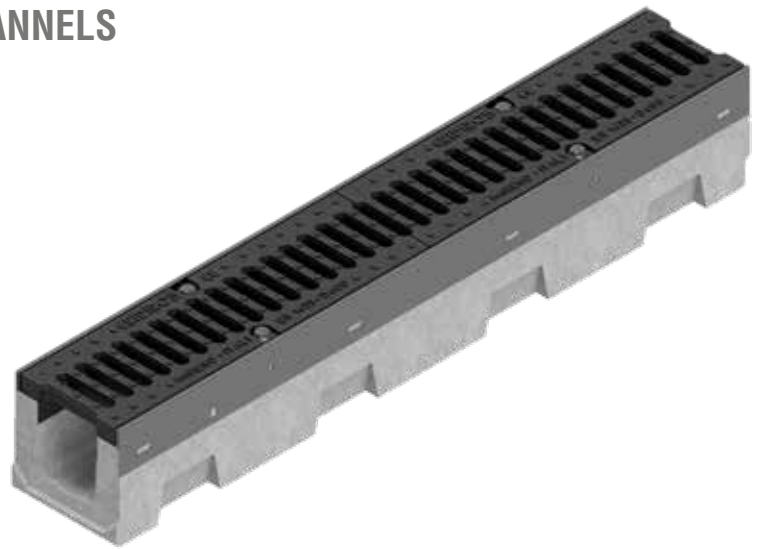
Channel L. mm	Code	Description	Water passage mm	Run-off section cm <sup>2</sup>	Weight kg	Pieces pallet
1000	4R00S	Additivated vibro-compressed concrete R122 channel with galvanised protective edge rails, complying with the UNI EN 1433 standard.	87	45	15.81	56

# VIBRO-COMPRESSED CONCRETE CHANNELS

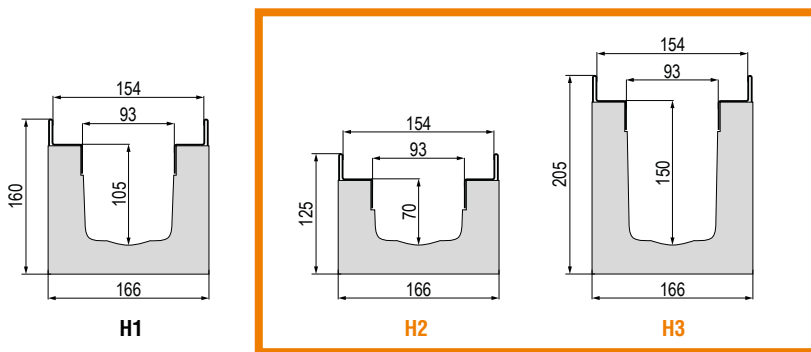
## R 150 SERIES

Grating width 150 mm

Vibro-compressed concrete channel with galvanised protective edge rails.  
The channels are sold exclusively in complete pallets and together with the gratings.

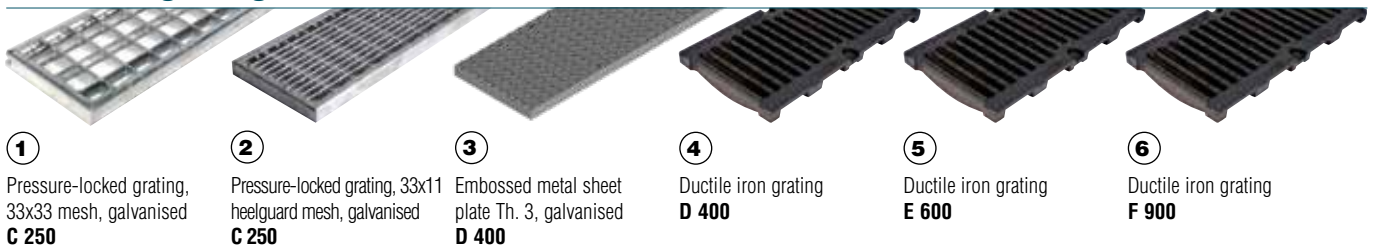


### R 150 Series channel dimensions



N.B.: the measurements in orange indicate the heights available only on request

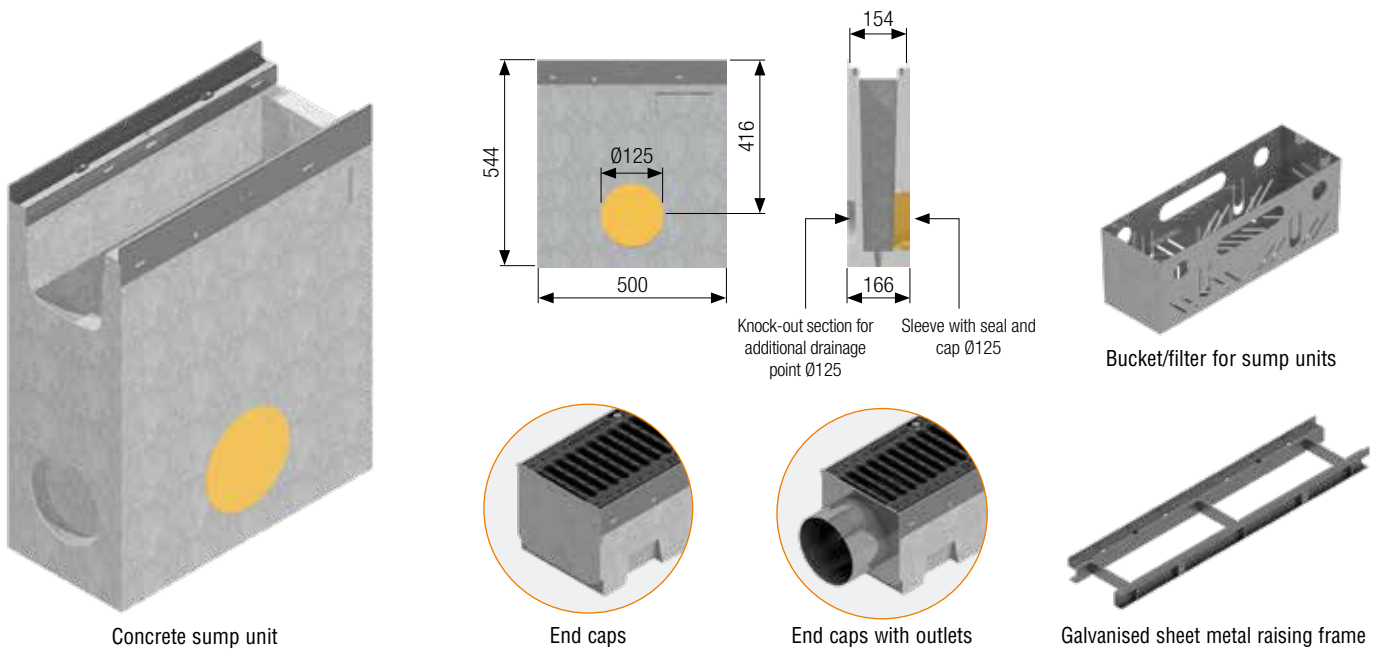
### Available gratings



### R 150 Series channel complete with grating - Length 1000

Channel L. mm	Code	Grating	Description of the channel assembled with the grating complete with accessories	Weight kg	Load class
1000	4R01SGP	①	Channel complete with pressure-locked grating with C-shaped edges, 25x2-10x2 33x33, hot-dip galvanised	38.08	C 250
	4R01SGPA	②	Channel complete with pressure-locked grating with C-shaped edges, 25x2-10x2 33x11 heelguard mesh, hot-dip galvanised	38.68	
	4R01SP	③	Channel complete with embossed metal sheet plate Th. 3, reinforced and hot-dip galvanised	45.26	D 400
	4R01SGG	④	Channel complete with 2 x GJS500-7 D 400 ductile iron gratings	43.00	
	4R01SGSE	⑤	Channel complete with 2 x GJS500-7 E 600 ductile iron gratings	43.20	
	4R01SGSF	⑥	Channel complete with 2 x GJS500-7 F 900 ductile iron gratings	44.94	

## R 150 Series accessories



### R 150 Series concrete sump unit complete with grating - Length 500 mm

Sump unit L. mm	Code	Grating	Description of the sump unit assembled with the grating complete with accessories	Weight kg	Load class
500	4R01PZGP	①	Sump unit complete with pressure-locked grating with C-shaped edges, 25x2-10x2 33x33, hot-dip galvanised	66.11	C 250
	4R01PZGPA	②	Sump unit complete with pressure-locked grating with C-shaped edges, 25x2-10x2 33x11 heelguard mesh, hot-dip galvanised	66.87	
	4R01PZP	③	Sump unit complete with embossed metal sheet plate Th. 3, reinforced and hot-dip galvanised	69.65	D 400
	4R01PZGS	④	Sump unit complete with GJS500-7 D 400 ductile iron grating	68.48	
	4R01PZGSE	⑤	Sump unit complete with GJS500-7 E 600 ductile iron grating	68.60	
	4R01PZGSF	⑥	Sump unit complete with GJS500-7 F 900 ductile iron grating	69.49	

### R 150 Series concrete sump unit without grating and accessories

Code	Description	Weight kg
4R01PZ	Reinforced concrete sump unit with galvanised edge rail L 500 mm	64.20
4R01VI	Bucket/Filter, AISI 304 stainless steel	1.16
4R01TID	Right-hand end cap for channel closure female side	0.30
4R01TIS	Left-hand end cap for channel closure male side	0.30
4R01RI	End cap with outlet drainage pipe diam. 89 mm	0.52
4R01PR	Galvanised sheet metal raising frame for two-stage channel laying	
	Channel bottom drilling Ø75 mm	

### R 150 Series channel without grating - Length 1000

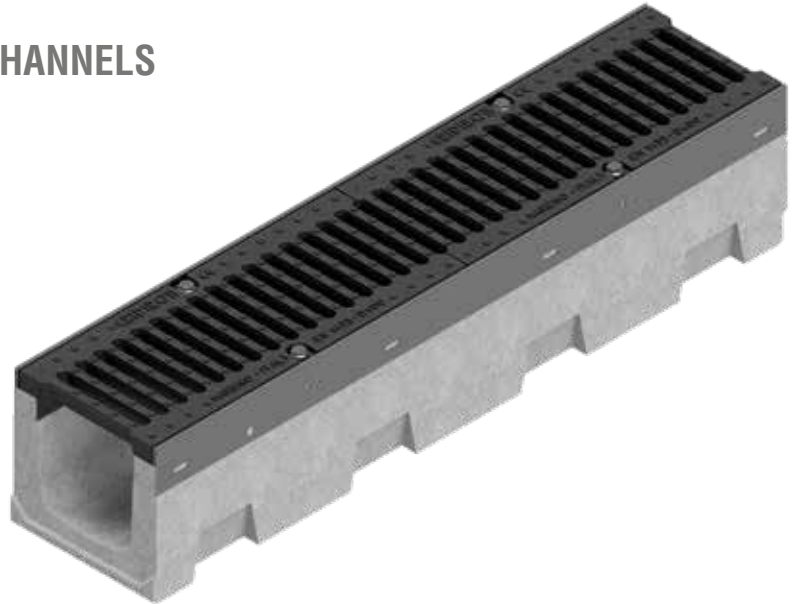
Channel L. mm	Code	Description	Water passage mm	Run-off section cm <sup>2</sup>	Weight kg	Pieces pallet
1000	4R01S	Additivated vibro-compressed concrete R150 H1 channel with galvanised protective edge rails, complying with the UNI EN 1433 standard.	93	90	34.36	36
	4R011S	Additivated vibro-compressed concrete R150 H2 channel with galvanised protective edge rails, complying with the UNI EN 1433 standard.	93	60	27.50	42
	4R012S	Additivated vibro-compressed concrete R150 H3 channel with galvanised protective edge rails, complying with the UNI EN 1433 standard.	93	133	42.00	30

# VIBRO-COMPRESSED CONCRETE CHANNELS

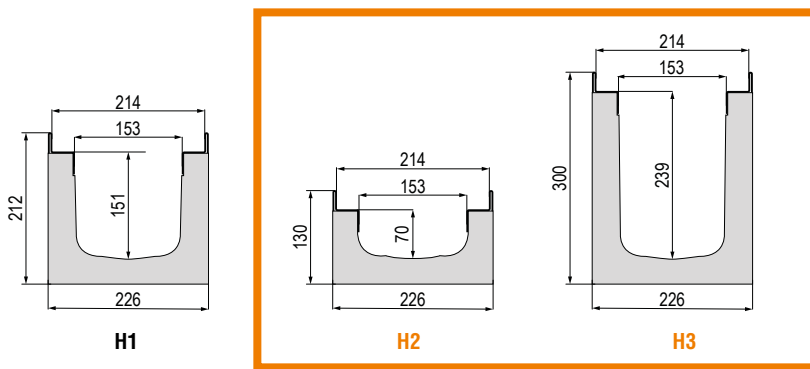
## R 210 SERIES

Grating width 210 mm

Vibro-compressed concrete channel with galvanised protective edge rails.  
The channels are sold exclusively in complete pallets and together with the gratings.

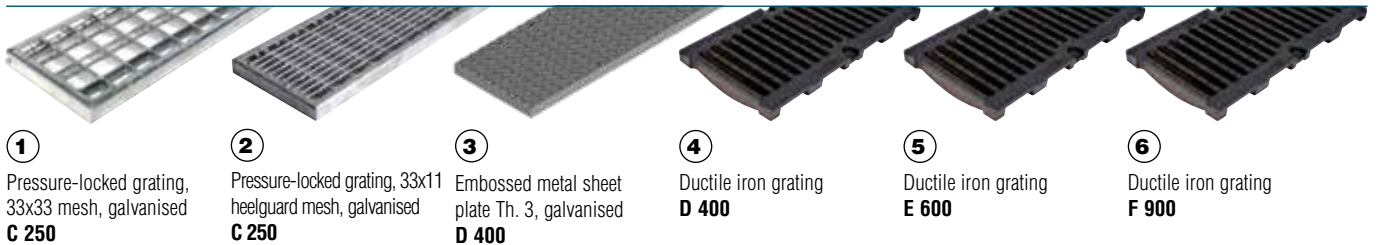


### R 210 Series channel dimensions



N.B.: the measurements in orange indicate the heights available only on request

### Available gratings

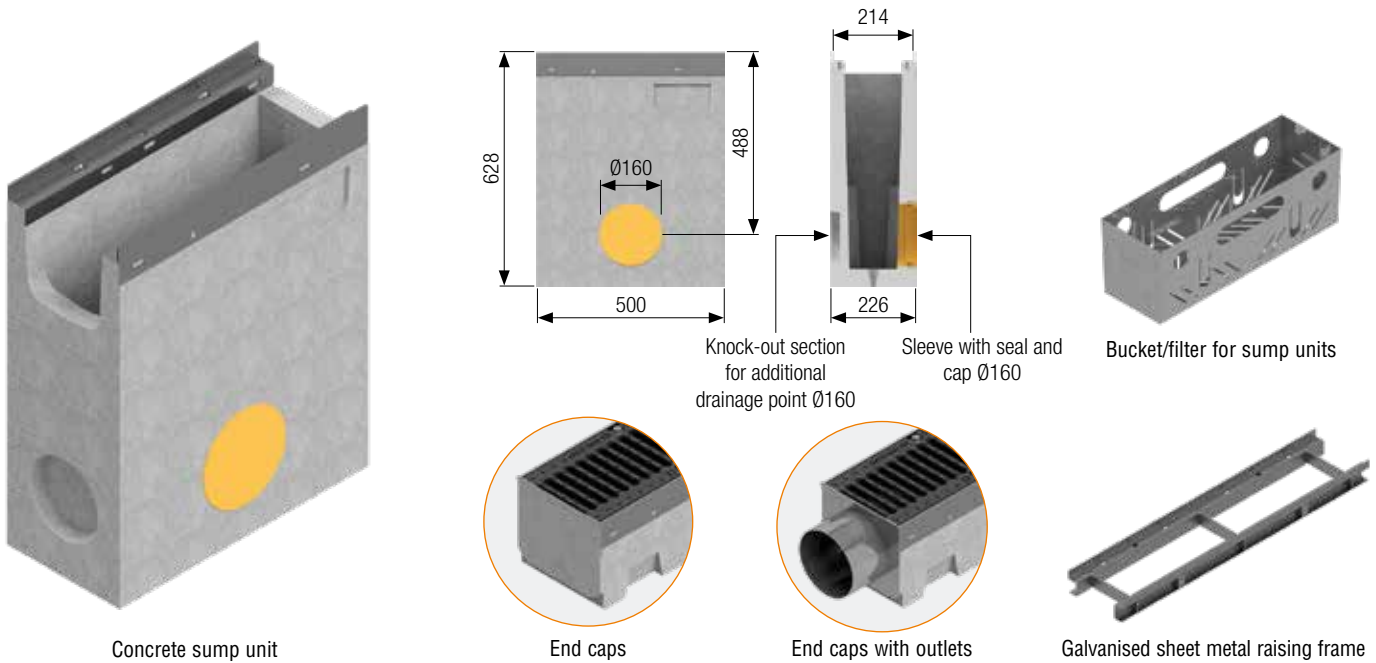


### R 210 Series channel complete with grating - Length 1000

Channel L. mm	Code	Grating	Description of the H1 channel assembled with the grating complete with accessories	Weight kg	Load class
1000	4R02SGP	①	Channel complete with pressure-locked grating with C-shaped edges, 25x2-10x2 33x33, hot-dip galvanised	54.65	C 250
	4R02SGPA	②	Channel complete with pressure-locked heelguard grating with C-shaped edges, 25x2-10x2 33x11, hot-dip galvanised	55.38	
	4R02SP	③	Channel complete with embossed metal sheet plate Th. 3, reinforced and hot-dip galvanised	64.28	D 400
	4R02SGG	④	Channel complete with 2 x GJS500-7 D 400 ductile iron gratings	64.00	
	4R02SGSE	⑤	Channel complete with 2 x GJS500-7 E 600 ductile iron gratings	66.20	
	4R02SGSF	⑥	Channel complete with 2 x GJS500-7 F 900 ductile iron gratings	69.59	



## R 210 Series accessories



### R 210 Series concrete sump unit complete with grating - Length 500 mm

Sump unit L. mm	Code	Grating	Description of the sump unit assembled with the grating complete with accessories	Weight kg	Load class
500	4R02PZGP	①	Sump unit complete with pressure-locked grating with C-shaped edges, 25x2-10x2 33x33, hot-dip galvanised	80.65	C 250
	4R02PZGPA	②	Sump unit complete with pressure-locked grating with C-shaped edges, 25x2-10x2 33x11 heelguard mesh, hot-dip galvanised	81.15	
	4R02PZP	③	Sump unit complete with embossed metal sheet plate Th. 3, reinforced and hot-dip galvanised	86.00	D 400
	4R02PZGS	④	Sump unit complete with GJS500-7 D 400 ductile iron grating	85.06	
	4R02PZGSE	⑤	Sump unit complete with GJS500-7 E 600 ductile iron grating	86.20	
	4R02PZGSF	⑥	Sump unit complete with GJS500-7 F 900 ductile iron grating	88.62	

### R 210 Series concrete sump unit without grating and accessories

Code	Description	Weight kg
4R02PZ	Reinforced concrete sump unit with galvanised edge rail L 500 mm	78.80
4R02VI	Bucket/Filter, AISI 304 stainless steel	1.50
4R02TID	Right-hand end cap for channel closure female side	0.53
4R02TIS	Left-hand end cap for channel closure male side	0.53
4R02RI	End cap with outlet Ø156 mm	1.30
4R02PR	Galvanised sheet metal raising frame for two-stage channel laying	
	Channel bottom drilling Ø125 mm	

### R 210 Series channel without grating - Length 1000

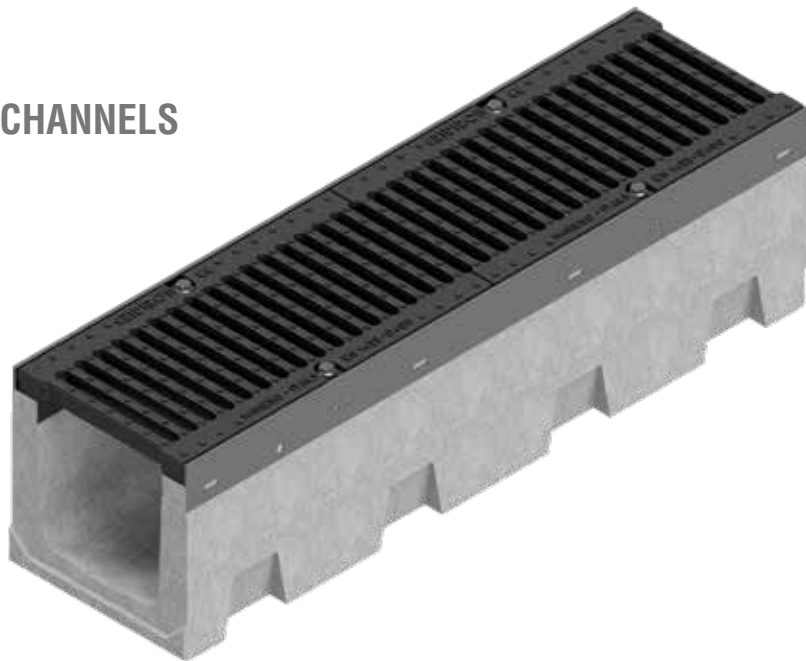
Channel L. mm	Code	Description	Water passage mm	Run-off section cm <sup>2</sup>	Weight kg	Pieces pallet
1000	4R02S	Additivated vibro-compressed concrete R210 H1 channel with galvanised protective edge rails, complying with the UNI EN 1433 standard.	153	215	49.88	20
	4R021S	Additivated vibro-compressed concrete R210 H2 channel with galvanised protective edge rails, complying with the UNI EN 1433 standard.	153	115	35.22	25
	4R022S	Additivated vibro-compressed concrete R210 H3 channel with galvanised protective edge rails, complying with the UNI EN 1433 standard.	153	342	63.40	20

# VIBRO-COMPRESSED CONCRETE CHANNELS

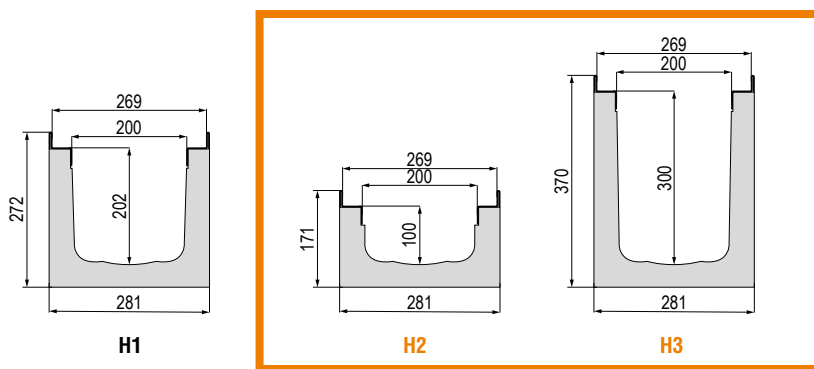
## R 265 SERIES

Grating width 265 mm

Vibro-compressed concrete channel with galvanised protective edge rails. The channels are sold exclusively in complete pallets and together with the gratings.

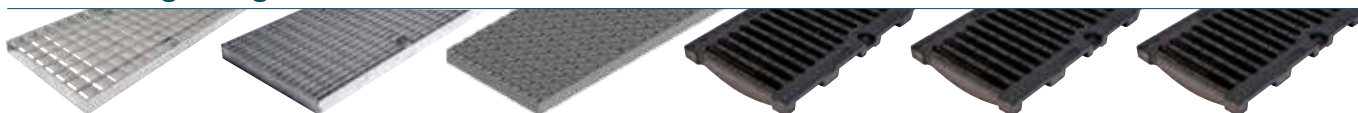


### R 265 Series channel dimensions



N.B.: the measurements in orange indicate the heights available only on request

### Available gratings

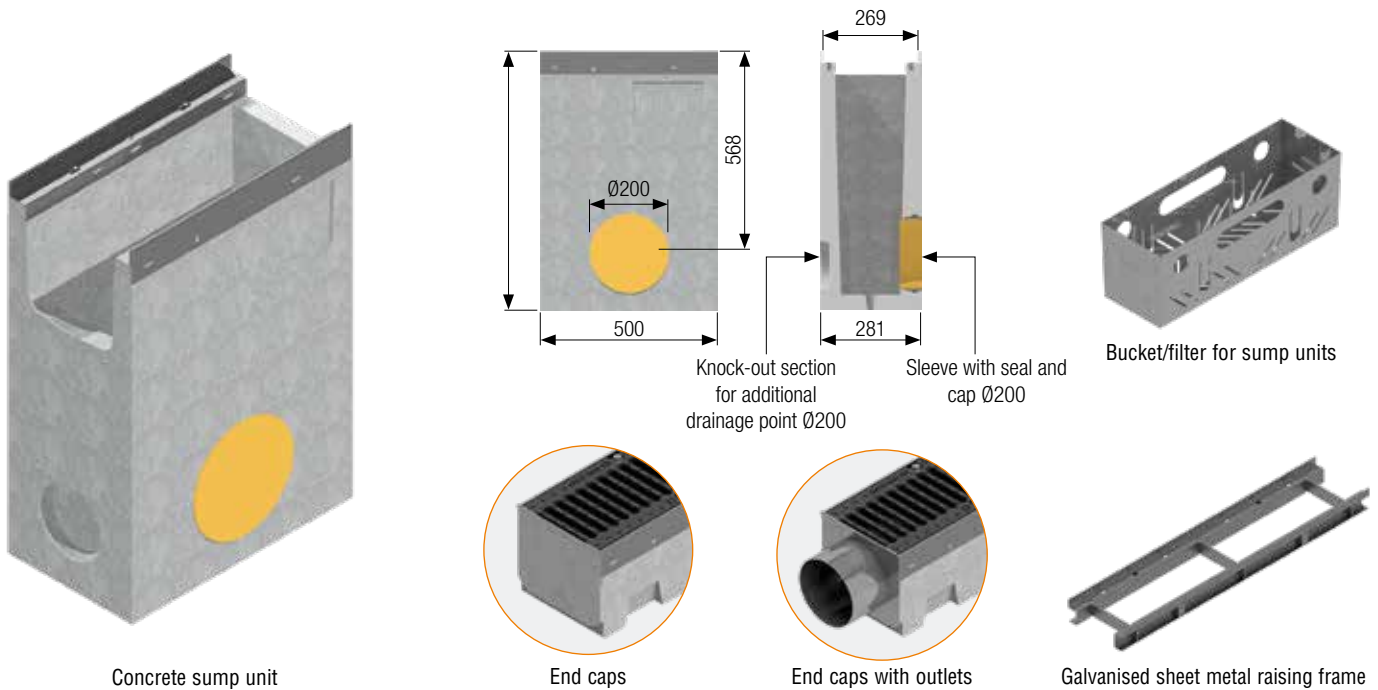


- ① Pressure-locked grating, 33x33 mesh, galvanised **C 250**
- ② Pressure-locked grating, 33x15 heelguard mesh, galvanised **C 250**
- ③ Embossed metal sheet plate Th. 3, galvanised **D 400**
- ④ Ductile iron grating **D 400**
- ⑤ Ductile iron grating **E 600**
- ⑥ Ductile iron grating **F 900**

### R 265 Series channel complete with grating - Length 1000

Channel L. mm	Code	Grating	Description of the channel assembled with the grating complete with accessories	Weight kg	Load class
<b>1000</b>	4R03SGP	①	Channel complete with pressure-locked grating 30x3-10x2 33x33, hot-dip galvanised	80,56	<b>C 250</b>
	4R03SGPA	②	Channel complete with pressure-locked grating 30x3-10x2 33x15 heelguard mesh, hot-dip galvanised	83,12	
	4R03SP	③	Channel complete with embossed metal sheet plate Th. 3, reinforced and hot-dip galvanised	91,82	<b>D 400</b>
	4R03SGG	④	Channel complete with 2 x GJS500-7 D 400 ductile iron gratings	88,70	
	4R03SGSE	⑤	Channel complete with 2 x GJS500-7 E 600 ductile iron gratings	96,80	
	4R03SGSF	⑥	Channel complete with 2 x GJS500-7 F 900 ductile iron gratings	98,58	

## R 265 Series accessories



Concrete sump unit

End caps

End caps with outlets

Galvanised sheet metal raising frame

### R 265 Series concrete sump unit complete with grating - Length 500 mm

Sump unit L. mm	Code	Grating	Description of the sump unit assembled with the grating complete with accessories	Weight kg	Load class
500	4R03PZGP	①	Sump unit complete with pressure-locked grating 30x3-10x2 33x33, hot-dip galvanised	110.15	C 250
	4R03PZGPA	②	Sump unit complete with pressure-locked grating 30x3-10x2 33x15 heelguard mesh, hot-dip galvanised	111.81	
	4R03PZP	③	Sump unit complete with embossed metal sheet plate Th. 3, reinforced and hot-dip galvanised	115.42	D 400
	4R03PZGS	④	Sump unit complete with GJS500-7 D 400 ductile iron grating	114.70	
	4R03PZGSE	⑤	Sump unit complete with GJS500-7 E 600 ductile iron grating	117.86	
	4R03PZGSF	⑥	Sump unit complete with GJS500-7 F 900 ductile iron grating	118,80	

### R 265 Series concrete sump unit without grating and accessories

Code	Description	Weight kg
4R03PZ	Reinforced concrete sump unit with galvanised edge rail L 500 mm	105.80
4R03VI	Bucket/Filter, AISI 304 stainless steel	1.71
4R03TID	Right-hand end cap for channel closure female side	1.11
4R03TIS	Left-hand end cap for channel closure male side	1.11
4R03RI	End cap with outlet Ø156 mm	1.81
4R03PR	Galvanised sheet metal raising frame for two-stage channel laying	
	Channel bottom drilling Ø160 mm	

### R 265 Series channel without grating - Length 1000

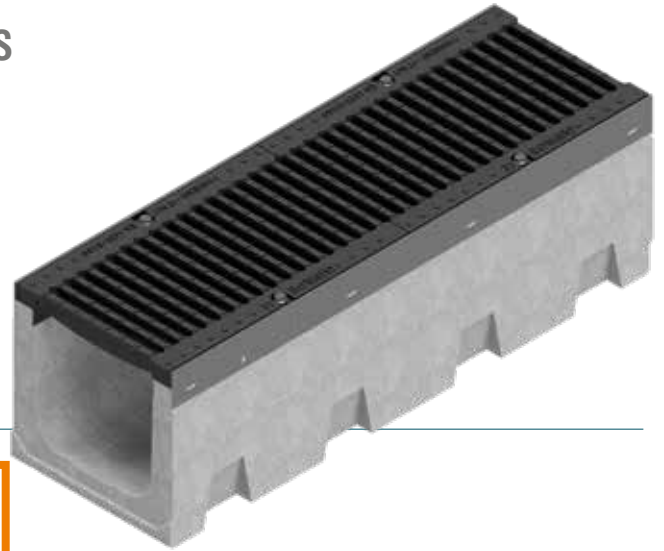
Channel L. mm	Code	Description	Water passage mm	Run-off section cm <sup>2</sup>	Weight kg	Pieces pallet
1000	4R03S	Additivated vibro-compressed concrete R265 H1 channel with galvanised protective edge rails, complying with the UNI EN 1433 standard.	200	376	72.58	16
	4R031S	Additivated vibro-compressed concrete R265 H2 channel with galvanised protective edge rails, complying with the UNI EN 1433 standard.	200	183	51,90	24
	4R032S	Additivated vibro-compressed concrete R265 H3 channel with galvanised protective edge rails, complying with the UNI EN 1433 standard.	200	577	92,00	12

# VIBRO-COMPRESSED CONCRETE CHANNELS

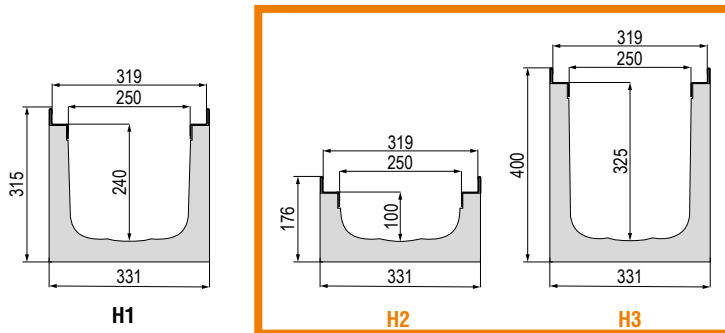
## R 315 SERIES

Grating width 315 mm

Vibro-compressed concrete channel with galvanised protective edge rails. The channels are sold exclusively in complete pallets and together with the gratings.

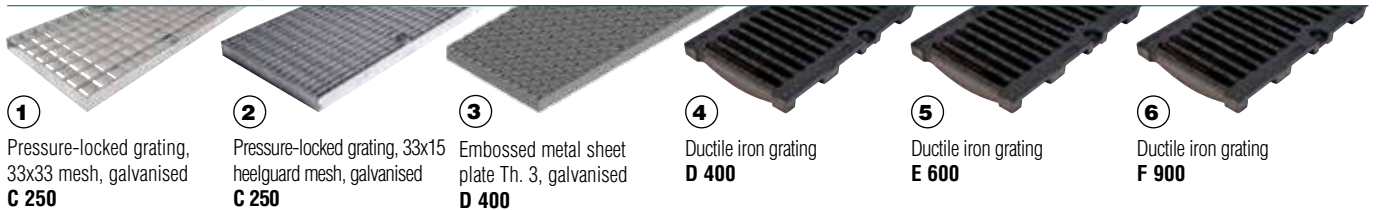


### R 315 Series channel dimensions



N.B.: the measurements in orange indicate the heights available only on request

### Available gratings



### R 315 Series channel complete with grating - Length 1000

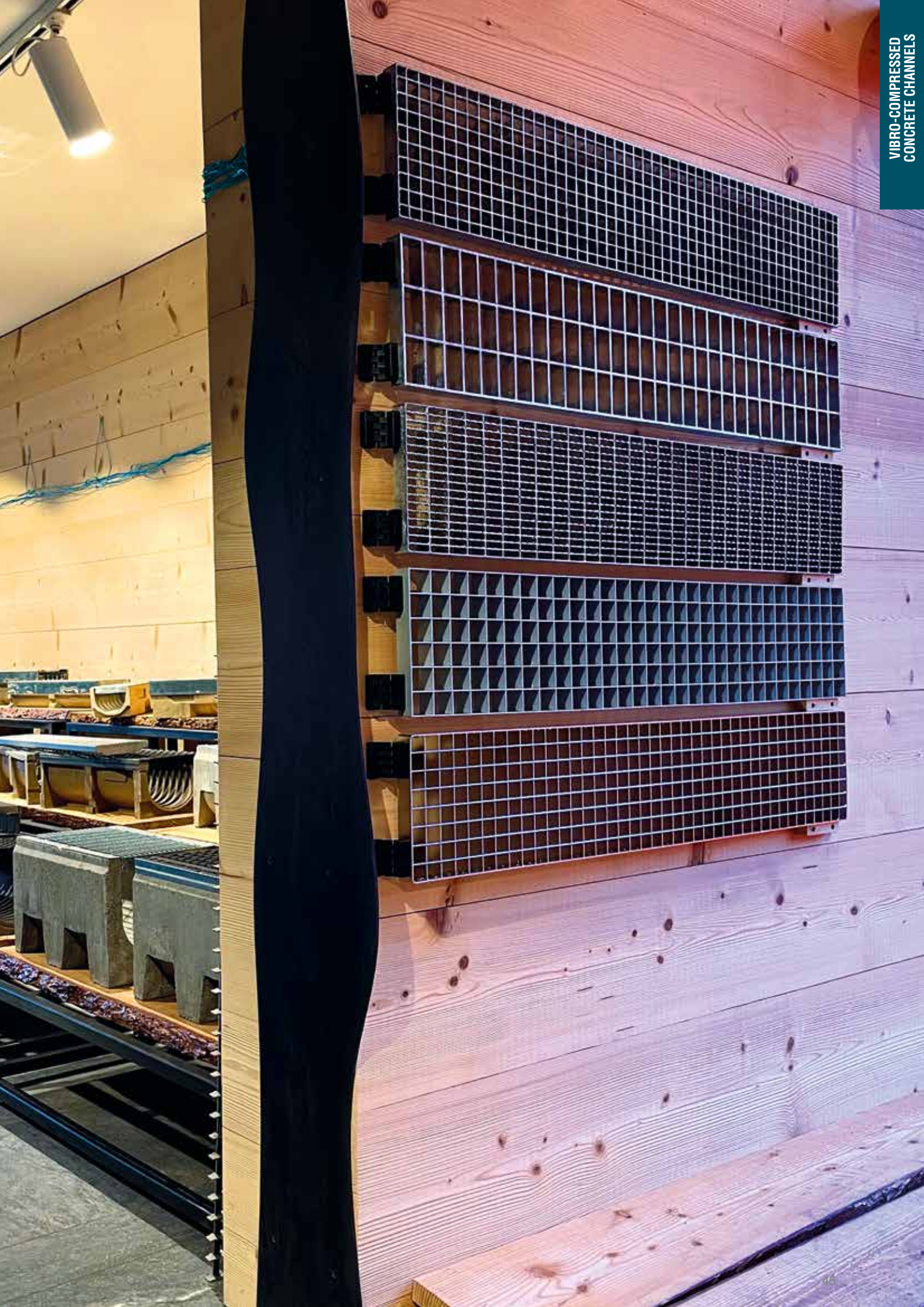
Channel L. mm	Code	Grating	Description of the channel assembled with the grating complete with accessories	Weight kg	Load class
1000	4R04SGP	①	Channel complete with pressure-locked grating 30x4-10x3 33x33, hot-dip galvanised	104.65	C 250
	4R04SGPA	②	Channel complete with pressure-locked grating 30x4-10x3 33x15 heelguard mesh, hot-dip galvanised	106.62	
	4R04SP	③	Channel complete with embossed metal sheet plate Th. 3, reinforced and hot-dip galvanised	108.44	D 400
	4R04SGG	④	Channel complete with 2 x GJS500-7 D 400 ductile iron gratings	119.00	
	4R04SGE	⑤	Channel complete with 2 x GJS500-7 E 600 ductile iron gratings	124.70	
	4R04SGF	⑥	Channel complete with 2 x GJS500-7 F 900 ductile iron gratings	131.40	

### R 315 Series accessories

Code	Description	Weight kg
4R04TID	Right-hand end cap for channel closure female side	1.52
4R04TIS	Left-hand end cap for channel closure male side	1.52
4R04RI	End cap with outlet Ø200 mm	1.90
4R04PR	Galvanised sheet metal raising frame for two-stage channel laying Channel bottom drilling Ø200 mm	

### R 315 Series channel without grating - Length 1000

Channel L. mm	Code	Description	Water passage mm	Run-off section cm <sup>2</sup>	Weight kg	Pieces pallet
1000	4R04S	Additivated vibro-compressed concrete R315 H1 channel with galvanised protective edge rails, complying with the UNI EN 1433 standard.	250	562	89.30	9
	4R041S	Additivated vibro-compressed concrete R315 H2 channel with galvanised protective edge rails, complying with the UNI EN 1433 standard.	250	224	64.40	15
	4R042S	Additivated vibro-compressed concrete R315 H3 channel with galvanised protective edge rails, complying with the UNI EN 1433 standard.	250	778	107.75	4

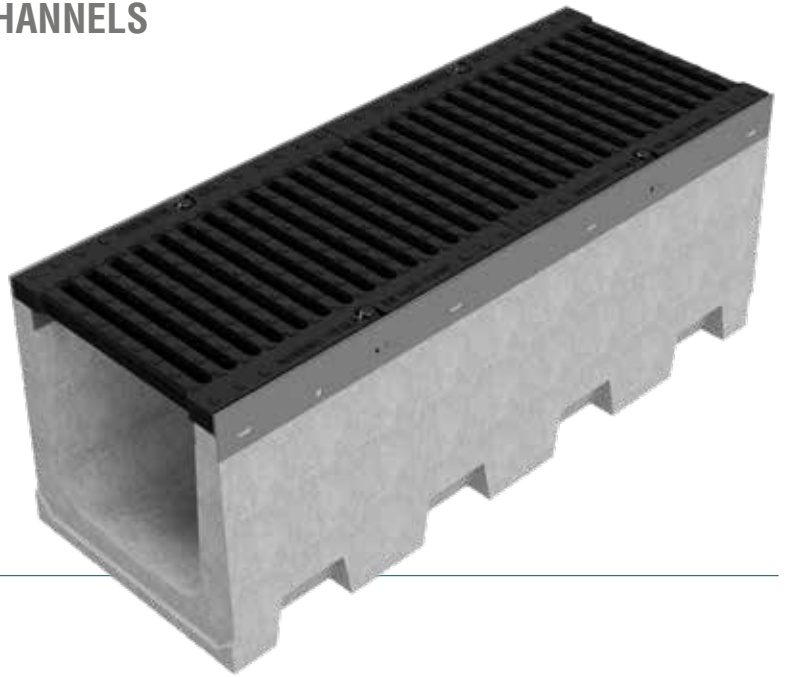


# VIBRO-COMPRESSED CONCRETE CHANNELS

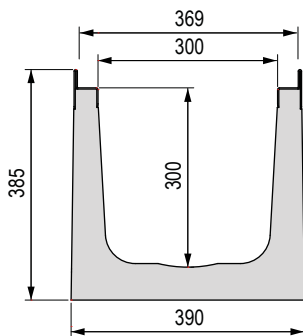
## R 365 SERIES

Grating width 365 mm

Vibro-compressed concrete channel with galvanised protective edge rails. The channels are sold exclusively in complete pallets and together with the gratings.



### R 365 Series channel dimensions



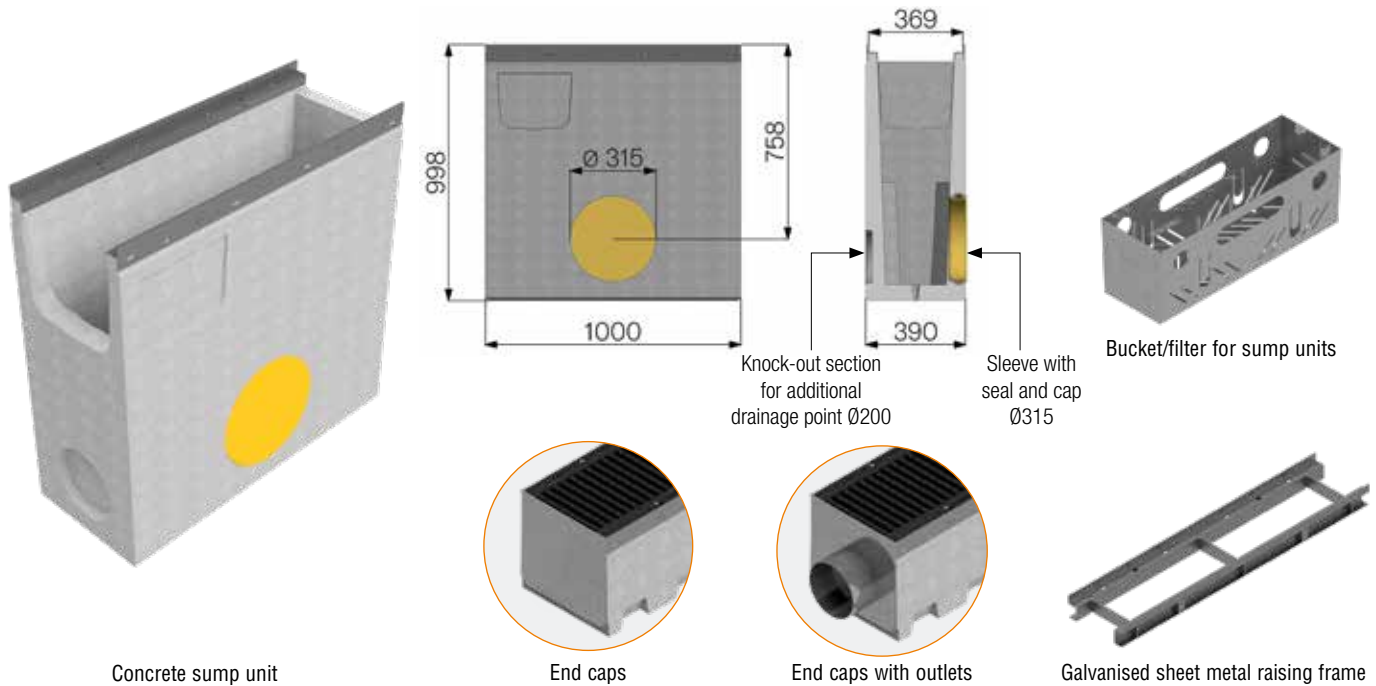
### Available gratings *N.B.: the gratings in orange are available only on request*

- ① Pressure-locked grating, 33x33 mesh, galvanised **C 250**
- ② Pressure-locked grating, 33x15 heelguard mesh, galvanised **C 250**
- ③ Pressure-locked grating, 22x66 heelguard mesh, galvanised **D 400**
- ④ Pressure-locked grating, 15x66 heelguard mesh, galvanised **D 400**
- ⑤ Embossed metal sheet plate Th. 3, galvanised **D 400**
- ⑥ Ductile iron grating **D 400**
- ⑦ Ductile iron grating **E 600**
- ⑧ Ductile iron grating **F 900**

### R 365 Series channel complete with grating - Length 1000

Channel L. mm	Code	Grating	Description of the channel assembled with the grating complete with accessories	Weight kg	Load class
<b>1000</b>	4R05SGP	①	Channel complete with pressure-locked grating 30x5-10x4 33x33, hot-dip galvanised	142.00	<b>C 250</b>
	4R05SGPB	②	Channel complete with pressure-locked grating 30x5-10x3 33x11 heelguard mesh, hot-dip galvanised	148.00	
	4R05SGPC	③	Channel complete with pressure-locked grating 30x5-10x4 22x66 hot-dip galvanised	149.00	<b>D 400</b>
	4R05SGPA	④	Channel complete with pressure-locked grating 30x4-10x3 15x66 heelguard mesh, hot-dip galvanised	152.00	
	4R05SP	⑤	Channel complete with embossed metal sheet plate Th. 3, reinforced and hot-dip galvanised	161.00	
	4R05SGG	⑥	Channel complete with 2 x GJS500-7 D 400 ductile iron gratings	165.00	
	4R05SGE	⑦	Channel complete with 2 x GJS500-7 E 600 ductile iron gratings	171.00	<b>E 600</b>
	4R05SGF	⑧	Channel complete with 2 x GJS500-7 F 900 ductile iron gratings	180.64	<b>F 900</b>

## R 365 Series accessories



Concrete sump unit

End caps

End caps with outlets

Galvanised sheet metal raising frame

### R 365 Series concrete sump unit complete with grating - Length 1000 mm

Sump unit L. mm	Code	Grating	Description of the sump unit assembled with the grating complete with accessories	Weight kg	Load class
1000	4R05PZGP	①	Sump unit complete with pressure-locked grating 30x5-10x4 33x33 hot-dip galvanised	385.00	C 250
	4R05PZGPB	②	Sump unit complete with pressure-locked grating 30x5-10x3 33x11 heelguard mesh, hot-dip galvanised	391.00	
	4R05PZGPC	③	Sump unit complete with pressure-locked grating 30x5-10x4 22x66 hot-dip galvanised	392.00	D 400
	4R05PZGPA	④	Sump unit complete with pressure-locked grating 30x4-10x3 15x66 heelguard mesh, hot-dip galvanised	395.00	
	4R05PZP	⑤	Sump unit complete with embossed metal sheet plate 3+2, reinforced and hot-dip galvanised	404.00	
	4R05PZGS	⑥	Sump unit complete with GJS500-7 D 400 ductile iron grating	408.00	
	4R05PZGE	⑦	Sump unit complete with GJS500-7 E 600 ductile iron grating	414.00	E 600
	4R05PZGF	⑧	Sump unit complete with GJS500-7 F 900 ductile iron grating	423.64	F 900

### R 365 Series concrete sump unit without grating and accessories

Code	Description	Weight kg
4R05PZ	Reinforced concrete sump unit with galvanised edge rail L= 1000 mm	369.00
4R05VI	Bucket/Filter, AISI 304 stainless steel	4.14
4R05TID	Right-hand end cap for channel closure female side	2.17
4R05TIS	Left-hand end cap for channel closure male side	2.17
4R05RI	End cap with outlet Ø200 mm	2.10
4R05PR	Galvanised sheet metal raising frame for two-stage channel laying	
	Channel bottom drilling Ø250 mm	

### R 365 Series channel without grating - Length 1000 mm

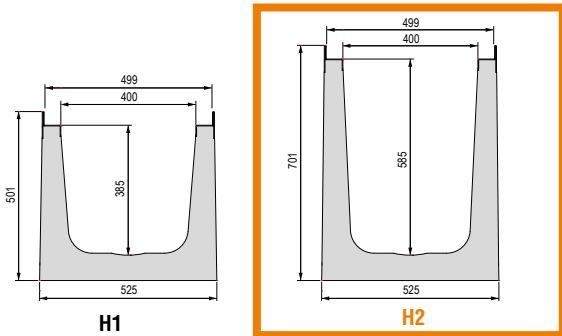
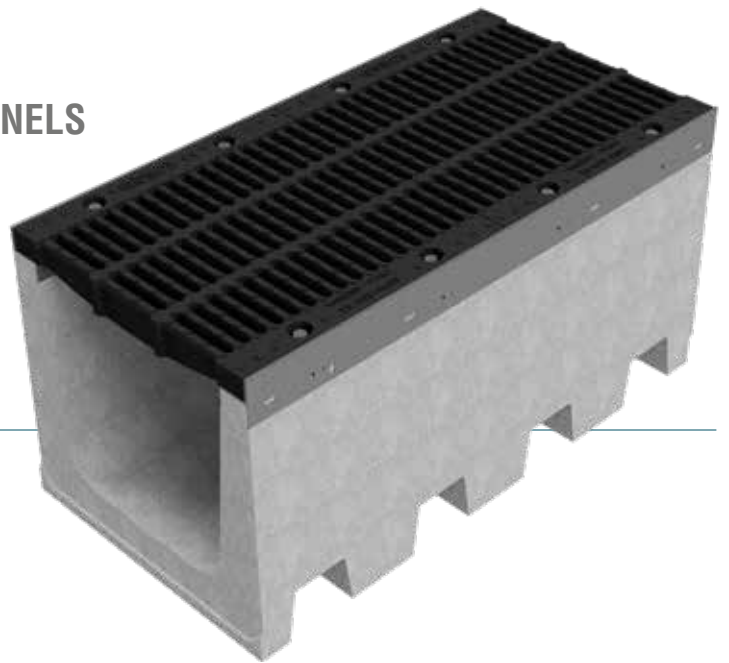
Channel L. mm	Code	Description	Water passage mm	Run-off section cm <sup>2</sup>	Weight kg	Pieces pallet
1000	4R05S	Additivated vibro-compressed concrete R365 channel with galvanised protective edge rails, complying with the UNI EN 1433 standard.	300	835	126.00	9

# VIBRO-COMPRESSED CONCRETE CHANNELS R 495 SERIES

Grating width 495 mm

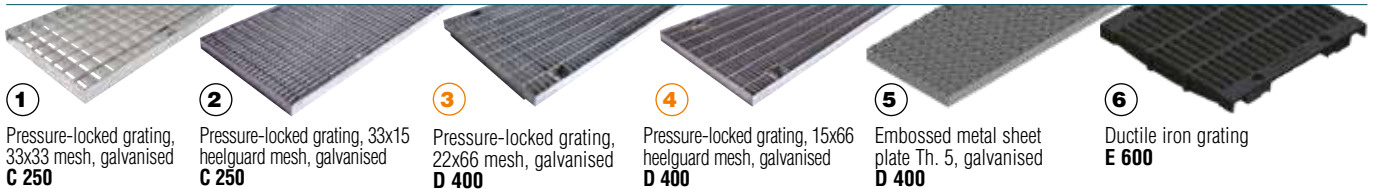
Vibro-compressed concrete channel with galvanised protective edge rails. The channels are sold exclusively in complete pallets and together with the gratings.

## R 495 Series channel dimensions



N.B.: the measurements in orange indicate the heights available only on request

## Available gratings N.B.: the gratings in orange are available only on request



## R 495 Series channel complete with grating - Length 1000

Channel L. mm	Code	Grating	Description of the channel assembled with the grating complete with accessories	Weight kg	Load class
1000	4R10SGPC	①	Channel complete with pressure-locked grating 40x5-10x4 33x33, hot-dip galvanised	260.88	C 250
	4R10SGPB	②	Channel complete with pressure-locked grating 40x5-10x4 33x15 heelguard mesh, hot-dip galvanised	264.70	
	4R10SGP	③	Channel complete with pressure-locked grating 50x5-10x4 22x66, hot-dip galvanised	277.28	D 400
	4R10SGPA	④	Channel complete with pressure-locked grating 40x4-10x4 15x66 heelguard mesh, hot-dip galvanised	273.68	
	4R10SP	⑤	Channel complete with embossed metal sheet plate Th. 5, reinforced and hot-dip galvanised	282.64	
	4R10SGG	⑥	Channel complete with 2 x GJS500-7 ductile iron gratings	295.00	

## R 495 Series channel accessories

Code	Accessories	Weight kg	Quantity
4R10TID	Right-hand end cap for channel closure female side	4.53	loose
4R10TIS	Left-hand end cap for channel closure male side	4.60	loose
4R10RI	End cap with outlet Ø300 mm	4.14	loose
4R10BR	Horizontal tracks	6.03	in 3 lm bars
4R10M	Corner brackets	0.28	20
4R10BV	Vertical tracks	4.31	in 3 lm bars
4R10B	Self-locking bush for track	0.05	50
	Channel bottom drilling Ø250 mm		

## R 495 Series channel without grating - Length 1000

Channel L. mm	Code	Description	Water passage mm	Run-off section cm <sup>2</sup>	Weight kg	Pieces pallet
1000	4R10S	Additivated vibro-compressed concrete R495 H1 channel with galvanised protective edge rails, complying with the UNI EN 1433 standard.	400	1390	229.00	6
	4R14S	Additivated vibro-compressed concrete R495 H2 channel with galvanised protective edge rails, complying with the UNI EN 1433 standard.	400	2140	276.00	4



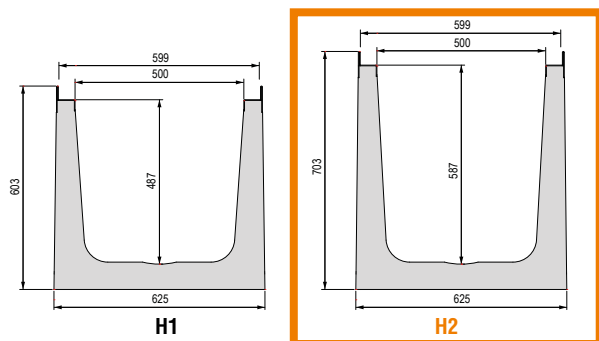
# VIBRO-COMPRESSED CONCRETE CHANNELS

## R 595 SERIES

Grating width 595 mm

Vibro-compressed concrete channel with galvanised protective edge rails. The channels are sold exclusively in complete pallets and together with the gratings.

### R 595 Series channel dimensions



N.B.: the measurements in orange indicate the heights available only on request

### Available gratings N.B.: the gratings in orange are available only on request



### R 595 Series channel complete with grating - Length 1000

Channel L. mm	Code	Grating	Description of the channel assembled with the grating complete with accessories	Weight kg	Load class
1000	4R15SGP	①	Channel complete with pressure-locked grating 50x5-10x4 33x33, hot-dip galvanised	338.50	C 250
	4R15GPB	②	Channel complete with pressure-locked grating 50x5-10x4 33x15 heelguard mesh, hot-dip galvanised	342.39	
	4R15SGPC	③	Channel complete with pressure-locked grating 50x5-10x4 22x66, hot-dip galvanised	354.56	D 400
	4R15SGPA	④	Channel complete with pressure-locked grating 50x4-10x4 15x66 heelguard mesh, hot-dip galvanised	357.69	
	4R15SP	⑤	Channel complete with embossed metal sheet plate Th. 5, reinforced and hot-dip galvanised	370.74	
	4R15SGG	⑥	Channel complete with 2 x GJS500-7 ductile iron gratings	412.62	

### R 595 Series channel accessories

Code	Accessories	Weight kg	Quantity
4R15TID	Right-hand end cap for channel closure female side	4.75	loose
4R15TIS	Left-hand end cap for channel closure male side	4.81	loose
4R15RI	End cap with outlet Ø300 mm	4.50	loose
4R15BR	Horizontal tracks	6.03	in 3 lm bars
4R10M	Corner brackets	0.28	20
4R15BV	Vertical tracks	4.31	in 3 lm bars
4R10B	Self-locking bush for track	0.05	50
	Channel bottom drilling Ø250 mm		

### R 595 Series channel without grating - Length 1000

Channel L. mm	Code	Description	Water passage mm	Run-off section cm <sup>2</sup>	Weight kg	Pieces pallet
1000	4R15S	Additivated vibro-compressed concrete R595 H1 channel with galvanised protective edge rails, complying with the UNI EN 1433 standard.	500	2225	297.00	4
	4R17S	Additivated vibro-compressed concrete R595 H2 channel with galvanised protective edge rails, complying with the UNI EN 1433 standard.	500	2700	343.00	4

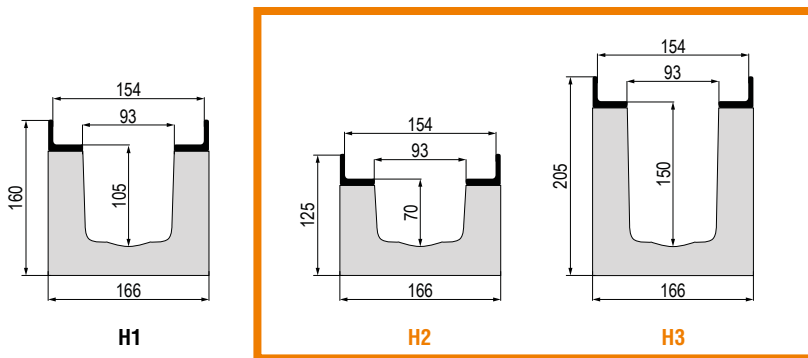
# VIBRO-COMPRESSED CONCRETE CHANNELS R 150 SERIES WITH DUCTILE IRON EDGE RAIL

Grating width 150 mm

Vibro-compressed concrete channel with ductile iron edge rails.  
The channels are sold exclusively in complete pallets and together with the gratings.



## R 150 Series channel dimensions with ductile iron edge rail



N.B.: the measurements in orange indicate the heights available only on request

## Available gratings



①

Ductile iron grating  
D 400

②

Ductile iron grating  
E 600

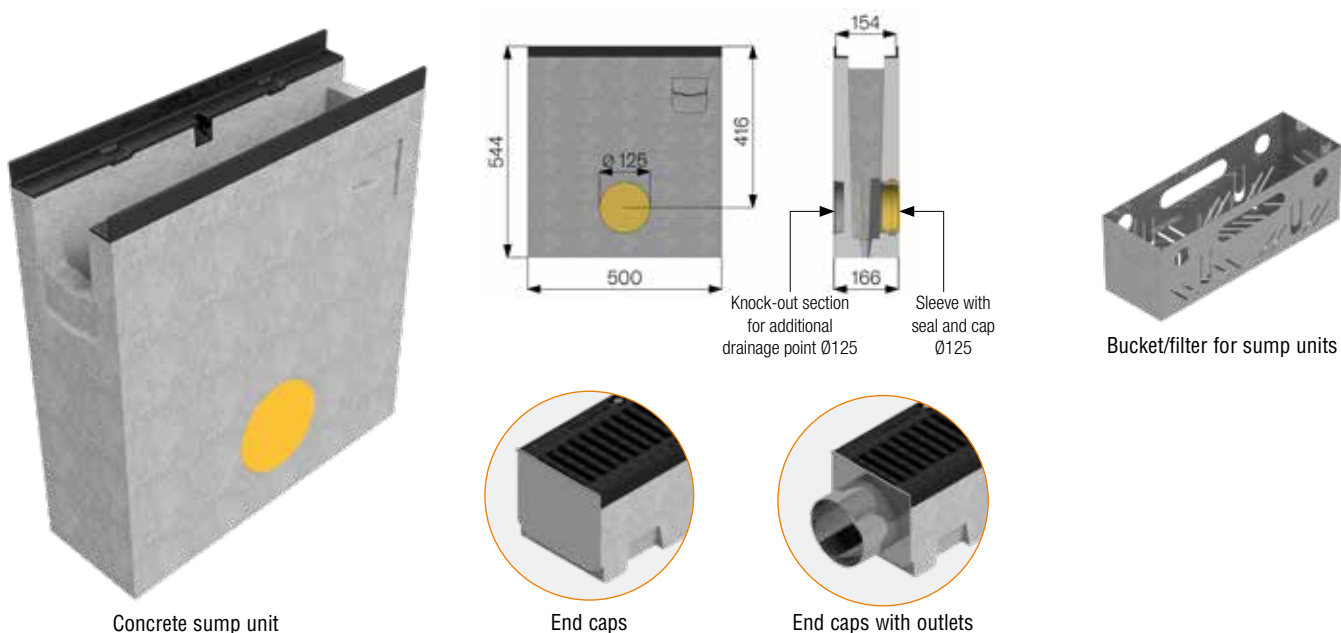
③

Ductile iron grating  
F 900

## R 150 Series channel with ductile iron edge rail with grating - Length 1000 mm

Channel L. mm	Code	Grating	Description of the channel assembled with the grating complete with accessories	Weight kg	Load class
1000	4RG1SGS	①	Channel complete with 2 x GJS500-7 D 400 ductile iron gratings	47.00	D 400
	4RG1SGE	②	Channel complete with 2 x GJS500-7 E 600 ductile iron gratings	47.20	E 600
	4RG1SGF	③	Channel complete with 2 x GJS500-7 F 900 ductile iron gratings	48.94	F 900

## R 150 Series accessories with ductile iron edge rail



### R 150 Series concrete sump unit complete with ductile iron edge rail with grating - Length 500 mm

Sump unit L. mm	Code	Grating	Description of the sump unit assembled with the grating complete with accessories	Weight kg	Load class
500	4RG1PZGS	①	Sump unit complete with GJS500-7 D 400 ductile iron inlay grating	72.48	<b>D 400</b>
	4RG1PZGE	②	Sump unit complete with GJS500-7 E 600 ductile iron inlay grating	72.60	<b>E 600</b>
	4RG1PZGF	③	Sump unit complete with GJS500-7 F 900 ductile iron inlay grating	73.49	<b>F 900</b>

### R 150 Series concrete sump unit with ductile iron edge rail without grating and accessories

Code	Description	Weight kg
4RG1PZ	Reinforced concrete sump unit with ductile iron edge rail L=500	68.20
4R01VI	Bucket/Filter, AISI 304 stainless steel	1.16
4R01TID	Right-hand end cap for channel closure female side	0.30
4R01TIS	Left-hand end cap for channel closure male side	0.30
4R01RI	End cap with outlet Ø200 mm	0.52
	Channel bottom drilling Ø75 mm	

### R 150 Series channel with ductile iron edge rail without grating - Length 1000

Channel L. mm	Code	Description	Water passage mm	Run-off section cm <sup>2</sup>	Weight kg	Pieces pallet
1000	4RG1S	Additivated vibro-compressed concrete 150 H1 channel with ductile iron edge rails, complying with the UNI EN 1433 standard.	93	90	38.36	36
	4RG11S	Additivated vibro-compressed concrete 150 H2 channel with ductile iron edge rails, complying with the UNI EN 1433 standard.	93	60	31.50	42
	4RG12S	Additivated vibro-compressed concrete 150 H3 channel with ductile iron edge rails, complying with the UNI EN 1433 standard.	93	133	46.00	30

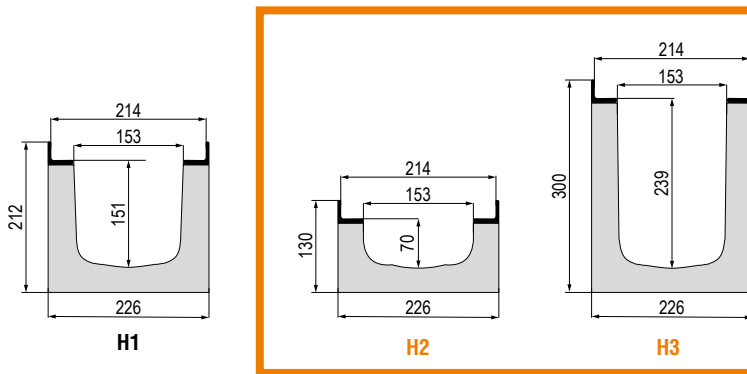
# VIBRO-COMPRESSED CONCRETE CHANNELS R 210 SERIES WITH DUCTILE IRON EDGE RAIL

Grating width 210 mm

Vibro-compressed concrete channel with ductile iron edge rails.  
The channels are sold exclusively in complete pallets and together with the gratings.



## R 210 Series channel dimensions with ductile iron edge rail



N.B.: the measurements in orange indicate the heights available only on request

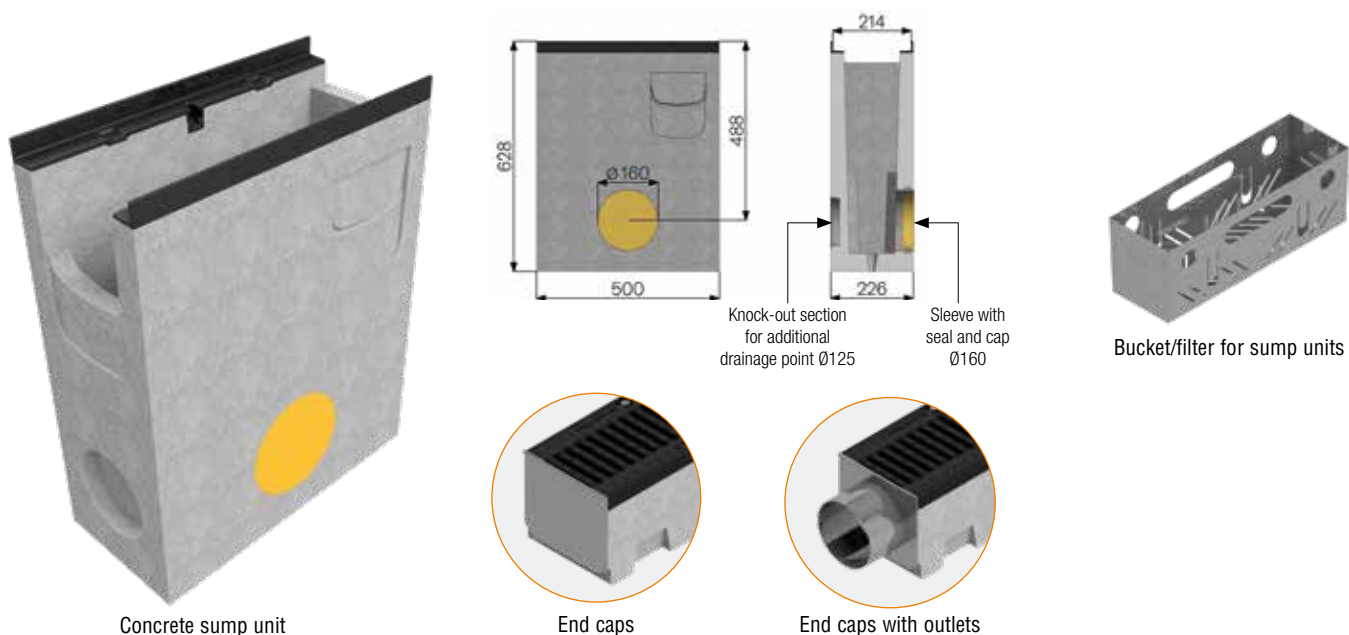
## Available gratings



## R 210 Series channel with ductile iron edge rail with grating - Length 1000 mm

Channel L. mm	Code	Grating	Description of the channel assembled with the grating complete with accessories	Weight kg	Load class
1000	4RG2SGS	①	Channel complete with 2 x GJS500-7 D 400 ductile iron gratings	62.44	D 400
	4RG2SGE	②	Channel complete with 2 x GJS500-7 E 600 ductile iron gratings	68.96	E 600
	4RG2SGF	③	Channel complete with 2 x GJS500-7 F 900 ductile iron gratings	73.59	F 900

## R 210 Series accessories with ductile iron edge rail



### R 210 Series concrete sump unit complete with ductile iron edge rail with grating - Length 500 mm

Sump unit L. mm	Code	Grating	Description of the sump unit assembled with the grating complete with accessories	Weight kg	Load class
500	4RG2PZGS	①	Sump unit complete with GJS500-7 D 400 ductile iron inlay grating	89.06	<b>D 400</b>
	4RG2PZGE	②	Sump unit complete with GJS500-7 E 600 ductile iron inlay grating	90.20	<b>E 600</b>
	4RG2PZGF	③	Sump unit complete with GJS500-7 F 900 ductile iron inlay grating	92.62	<b>F 900</b>

### R 210 Series concrete sump unit with ductile iron edge rail without grating and accessories

Code	Description	Weight kg
4RG2PZ	Reinforced concrete sump unit with ductile iron edge rail L 500 mm	82.80
4R02VI	Bucket/Filter, AISI 304 stainless steel	1.50
4R02TID	Right-hand end cap for channel closure female side	0.53
4R02TIS	Left-hand end cap for channel closure male side	0.53
4R02RI	End cap with outlet Ø156 mm	1.30
	Channel bottom drilling Ø125 mm	

### R 210 Series channel with ductile iron edge rail without grating - Length 1000 mm

Channel L. mm	Code	Description	Water passage mm	Run-off section cm <sup>2</sup>	Weight kg	Pieces pallet
1000	4RG2S	Additivated vibro-compressed concrete R210 H1 channel with ductile iron edge rails, complying with the UNI EN 1433 standard.	153	216	53.88	20
	4RG21S	Additivated vibro-compressed concrete R210 H2 channel with ductile iron edge rails, complying with the UNI EN 1433 standard.	153	95	39.22	25
	4RG22S	Additivated vibro-compressed concrete R210 H3 channel with ductile iron edge rails, complying with the UNI EN 1433 standard.	153	350	64.34	20

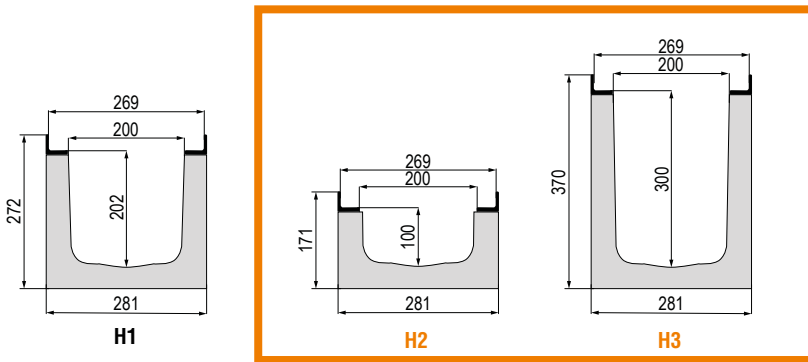
# VIBRO-COMPRESSED CONCRETE CHANNELS R 265 SERIES WITH DUCTILE IRON EDGE RAIL

Grating width 265 mm

Vibro-compressed concrete channel with ductile iron edge rails.  
The channels are sold exclusively in complete pallets and together with the gratings.



## R 265 Series channel dimensions with ductile iron edge rail



N.B.: the measurements in orange indicate the heights available only on request

## Available gratings



① Ductile iron grating  
D 400

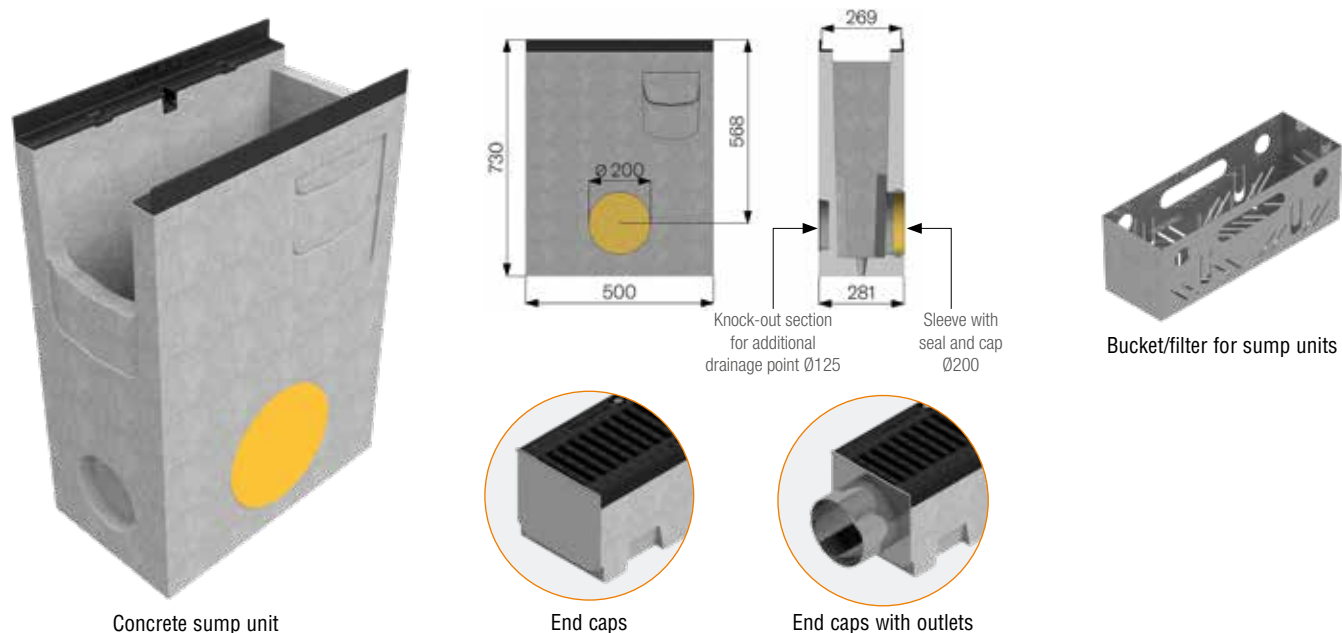
② Ductile iron grating  
E 600

③ Ductile iron grating  
F 900

## R 265 Series channel with ductile iron edge rail with grating - Length 1000 mm

Channel L. mm	Code	Grating	Description of the channel assembled with the grating complete with accessories	Weight kg	Load class
1000	4RG3SGS	①	Channel complete with 2 x GJS500-7 D 400 ductile iron gratings	92.70	D 400
	4RG3SGE	②	Channel complete with 2 x GJS500-7 E 600 ductile iron gratings	100.80	E 600
	4RG3SGF	③	Channel complete with 2 x GJS500-7 F 900 ductile iron gratings	102.58	F 900

## R 265 Series accessories with ductile iron edge rail



### R 265 Series concrete sump unit complete with ductile iron edge rail with grating - Length 500 mm

Sump unit L. mm	Code	Grating	Description of the sump unit assembled with the grating complete with accessories	Weight kg	Load class
500	4RG3PZGS	①	Sump unit complete with GJS500-7 D 400 ductile iron inlay grating	118.70	<b>D 400</b>
	4RG3PZGE	②	Sump unit complete with GJS500-7 E 600 ductile iron inlay grating	121.86	<b>E 600</b>
	4RG3PZGF	③	Sump unit complete with GJS500-7 F 900 ductile iron inlay grating	122.80	<b>F 900</b>

### R 265 Series concrete sump unit with ductile iron edge rail without grating and accessories

Code	Description	Weight kg
4RG3PZ	Reinforced concrete sump unit with ductile iron edge rail L 500 mm	109.80
4R03VI	Bucket/Filter, AISI 304 stainless steel	1.71
4R03TID	Right-hand end cap for channel closure female side	1.11
4R03TIS	Left-hand end cap for channel closure male side	1.11
4R03RI	End cap with outlet Ø156 mm	1.81
	Channel bottom drilling Ø160 mm	

### R 265 Series channel with ductile iron edge rail without grating - Length 1000 mm

Channel L. mm	Code	Description	Water passage mm	Run-off section cm <sup>2</sup>	Weight kg	Pieces pallet
1000	4RG3S	Additivated vibro-compressed concrete R265 H1 channel with ductile iron edge rails, complying with the UNI EN 1433 standard	200	376	74.90	16
	4RG31S	Additivated vibro-compressed concrete R265 H2 channel with ductile iron edge rails, complying with the UNI EN 1433 standard	200	183	55.90	24
	4RG32S	Additivated vibro-compressed concrete R265 H3 channel with ductile iron edge rails, complying with the UNI EN 1433 standard	200	577	96.00	12

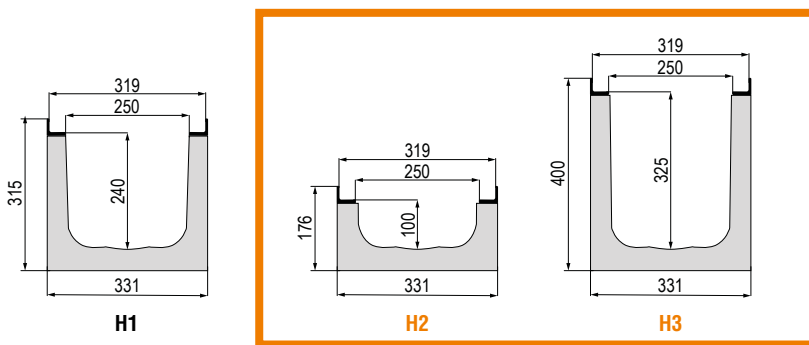
# VIBRO-COMPRESSED CONCRETE CHANNELS R 315 SERIES WITH DUCTILE IRON EDGE RAIL

Grating width 315 mm

Vibro-compressed concrete channel with ductile iron edge rails.  
The channels are sold exclusively in complete pallets and together with the gratings.



## R 315 Series channel dimensions with ductile iron edge rail



N.B.: the measurements in orange indicate the heights available only on request

## Available gratings



## R 315 Series channel with ductile iron edge rail with grating - Length 1000 mm

Channel L. mm	Code	Grating	Description of the channel assembled with the grating complete with accessories	Weight kg	Load class
1000	4RG4SGS	①	Channel complete with 2 x GJS500-7 D 400 ductile iron gratings	123.00	<b>D 400</b>
	4RG4SGE	②	Channel complete with 2 x GJS500-7 E 600 ductile iron gratings	128.70	<b>E 600</b>
	4RG4SGF	③	Channel complete with 2 x GJS500-7 F 900 ductile iron gratings	135.40	<b>F 900</b>

## R 315 Series accessories with ductile iron edge rail

Code	Description	Weight kg
4R04TID	Right-hand end cap for channel closure female side	1.52
4R04TIS	Left-hand end cap for channel closure male side	1.52
4R04RI	End cap with outlet Ø200 mm	1.90
	Channel bottom drilling Ø200 mm	

## R 315 Series channel with ductile iron edge rail without grating - Length 1000 mm

Channel L. mm	Code	Description	Water passage mm	Run-off section cm <sup>2</sup>	Weight kg	Pieces pallet
1000	4RG4S	Additivated vibro-compressed concrete R315 H1 channel with ductile iron edge rails, complying with the UNI EN 1433 standard	250	562	93.30	9
	4RG41S	Additivated vibro-compressed concrete R315 H2 channel with ductile iron edge rails, complying with the UNI EN 1433 standard	250	224	66.40	15
	4RG42S	Additivated vibro-compressed concrete R315 H3 channel with ductile iron edge rails, complying with the UNI EN 1433 standard	250	778	111.75	4



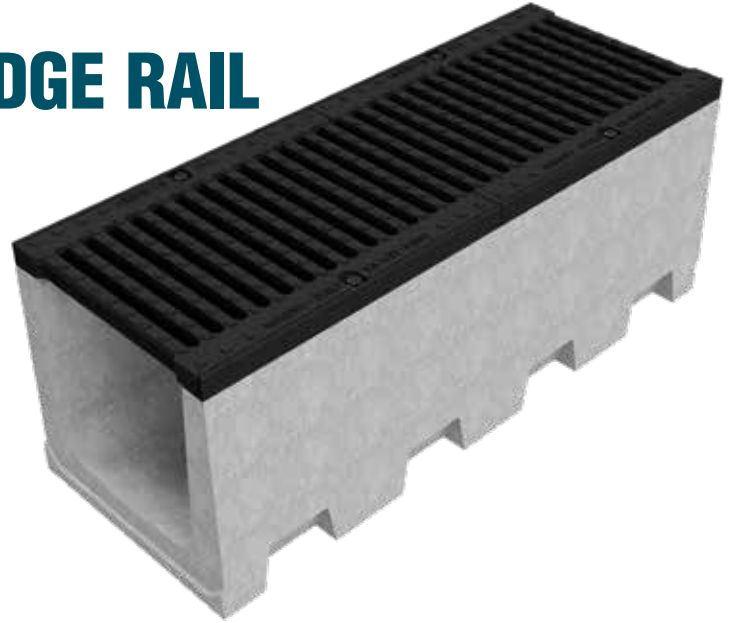


VIBRO-COMPRESSED CONCRETE CHANNELS

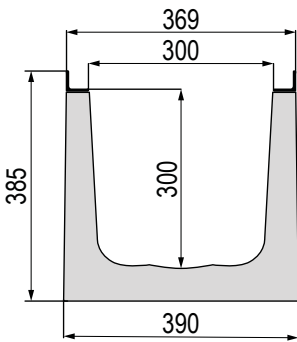
# R 365 SERIES WITH DUCTILE IRON EDGE RAIL

Grating width 365 mm

Vibro-compressed concrete channel with ductile iron edge rails. The channels are sold exclusively in complete pallets and together with the gratings.



## R 365 Series channel dimensions with ductile iron edge rail



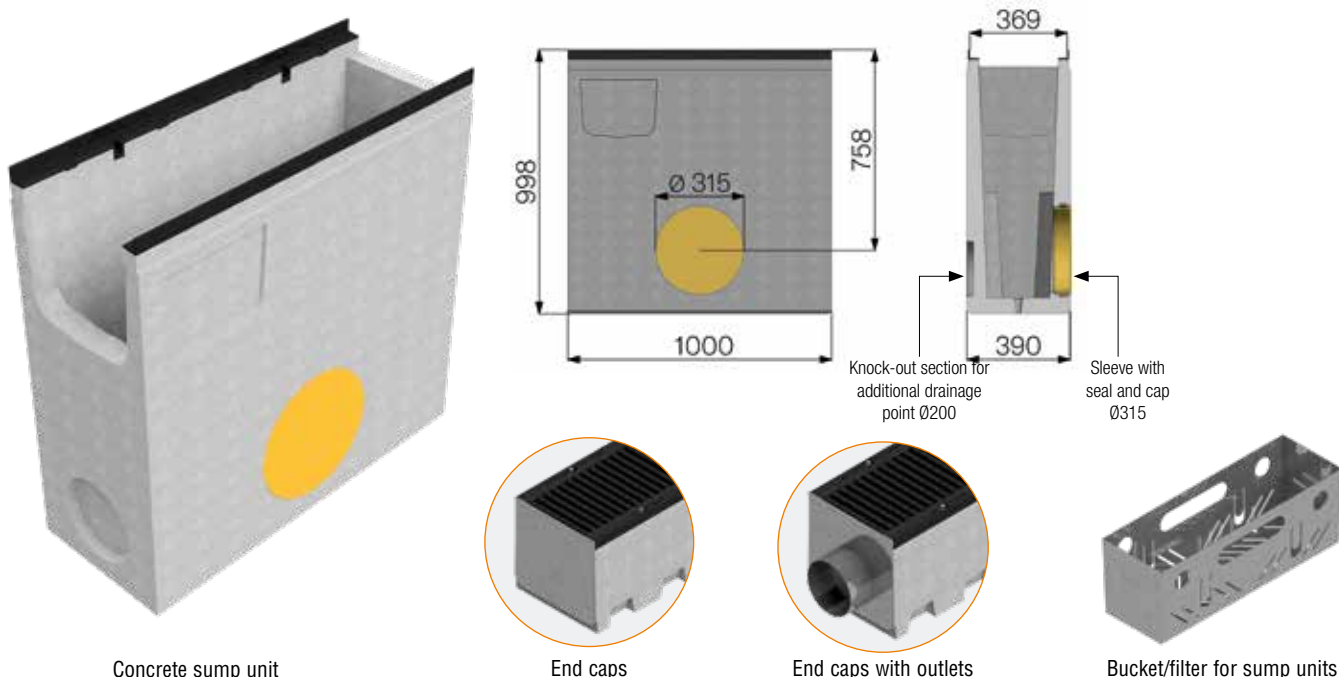
## Available gratings



## R 365 Series channel with ductile iron edge rail with grating - Length 1000 mm

Channel L. mm	Code	Grating	Description of the channel assembled with the grating complete with accessories	Weight kg	Load class
1000	4RG5SGS	①	Channel complete with 2 x GJS500-7 D 400 ductile iron gratings	169.00	D 400
	4RG5SGE	②	Channel complete with 2 x GJS500-7 E 600 ductile iron gratings	175.00	E 600
	4RG5SGF	③	Channel complete with 2 x GJS500-7 F 900 ductile iron gratings	184.64	F 900

## R 365 Series accessories with ductile iron edge rail



Concrete sump unit

End caps

End caps with outlets

Bucket/filter for sump units

### R 365 Series concrete sump unit complete with ductile iron edge rail with grating - Length 1000 mm

Sump unit L. mm	Code	Grating	Description of the sump unit assembled with the grating complete with accessories	Weight kg	Load class
1000	4RG5PZGS	①	Sump unit complete with GJS500-7 D 400 ductile iron inlay grating	412.00	<b>D 400</b>
	4RG5PZGE	②	Sump unit complete with GJS500-7 E 600 ductile iron inlay grating	418.00	<b>E 600</b>
	4RG5PZGF	③	Sump unit complete with GJS500-7 F 900 ductile iron inlay grating	427.64	<b>F 900</b>

### R 365 Series concrete sump unit with ductile iron edge rail without grating and accessories

Code	Description	Weight kg
4RG5PZ	Reinforced concrete sump unit with ductile iron edge rail L=1000	373.00
4R05VI	Bucket/Filter, AISI 304 stainless steel	4.14
4R05TID	Right-hand end cap for channel closure female side	2.17
4R05TIS	Left-hand end cap for channel closure male side	2.17
4R05RI	End cap with outlet Ø200 mm	2.10
	Channel bottom drilling Ø250 mm	

## R 365 Series channel with ductile iron edge rail without grating - Length 1000 mm

Channel L. mm	Code	Description	Water passage mm	Run-off section cm <sup>2</sup>	Weight kg	Pieces pallet
1000	4RG5S	Additivated vibro-compressed concrete R365 channel with ductile iron edge rails, complying with the UNI EN 1433 standard.	300	835	130.00	9

