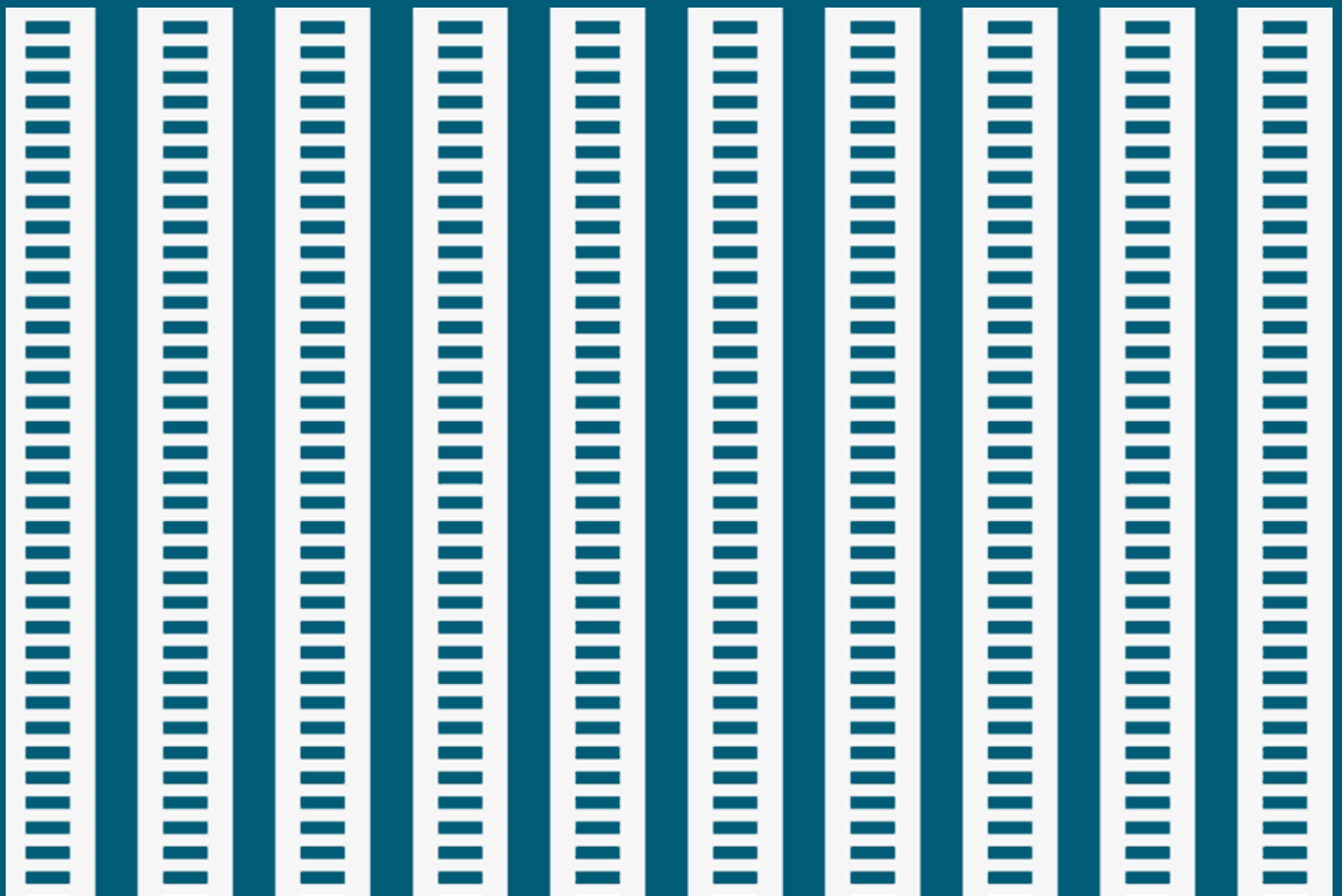


Drainage systems.

Reinforced Concrete channels



®

GRIP



CHANNELS MADE OF REINFORCED CONCRETE

REINFORCED
CONCRETE CHANNELS

PAGE

4

K SERIES

PAGE

12

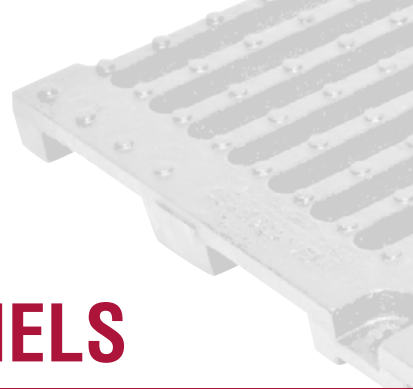
C SERIES

PAGE

20

XL SERIES

GRIDIRON®
BUILD YOUR CHANGES



REINFORCED CONCRETE CHANNELS



Load classes

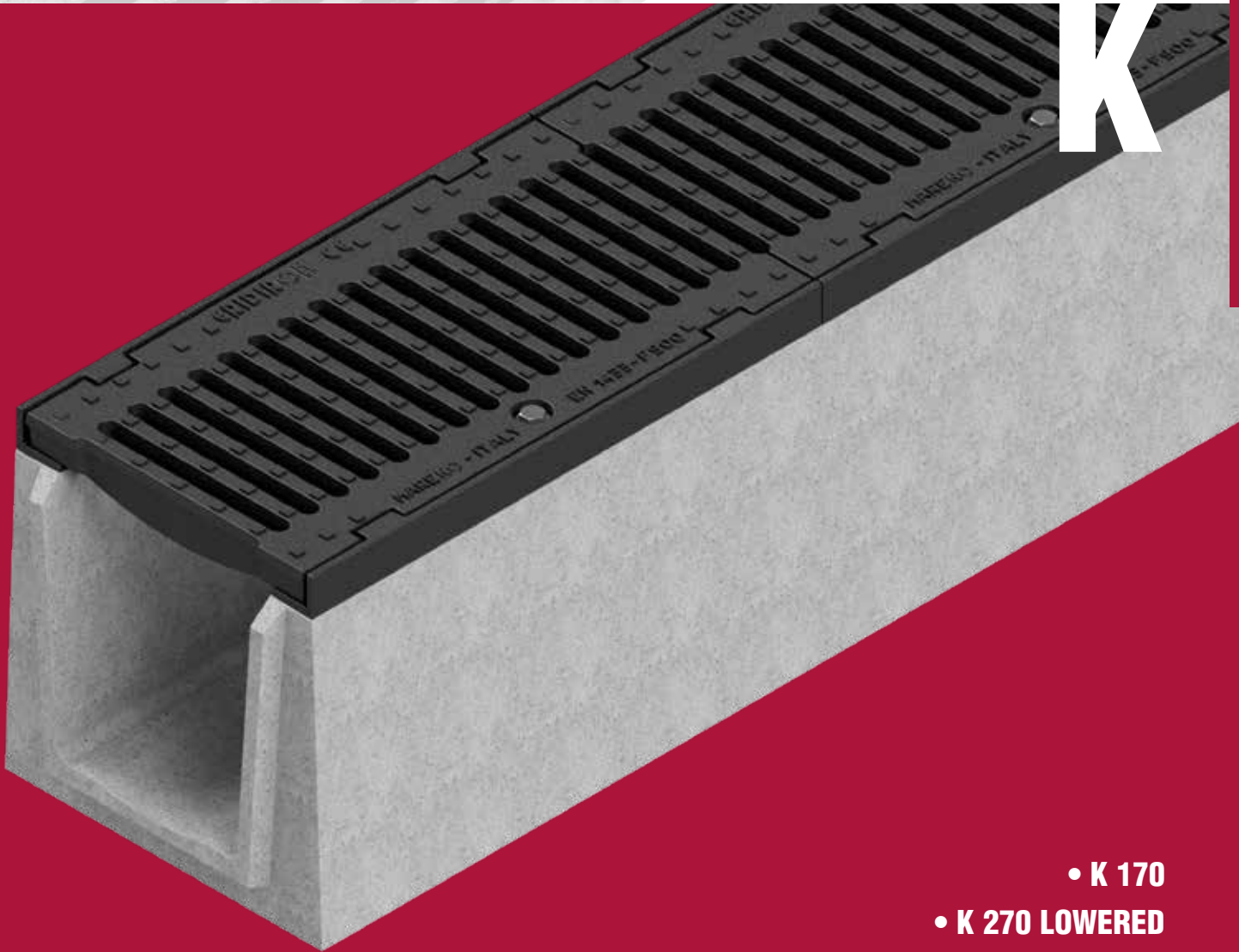
In accordance with the UNI EN 1433 standard



F 900

SERIES K

REINFORCED
CONCRETE CHANNELS



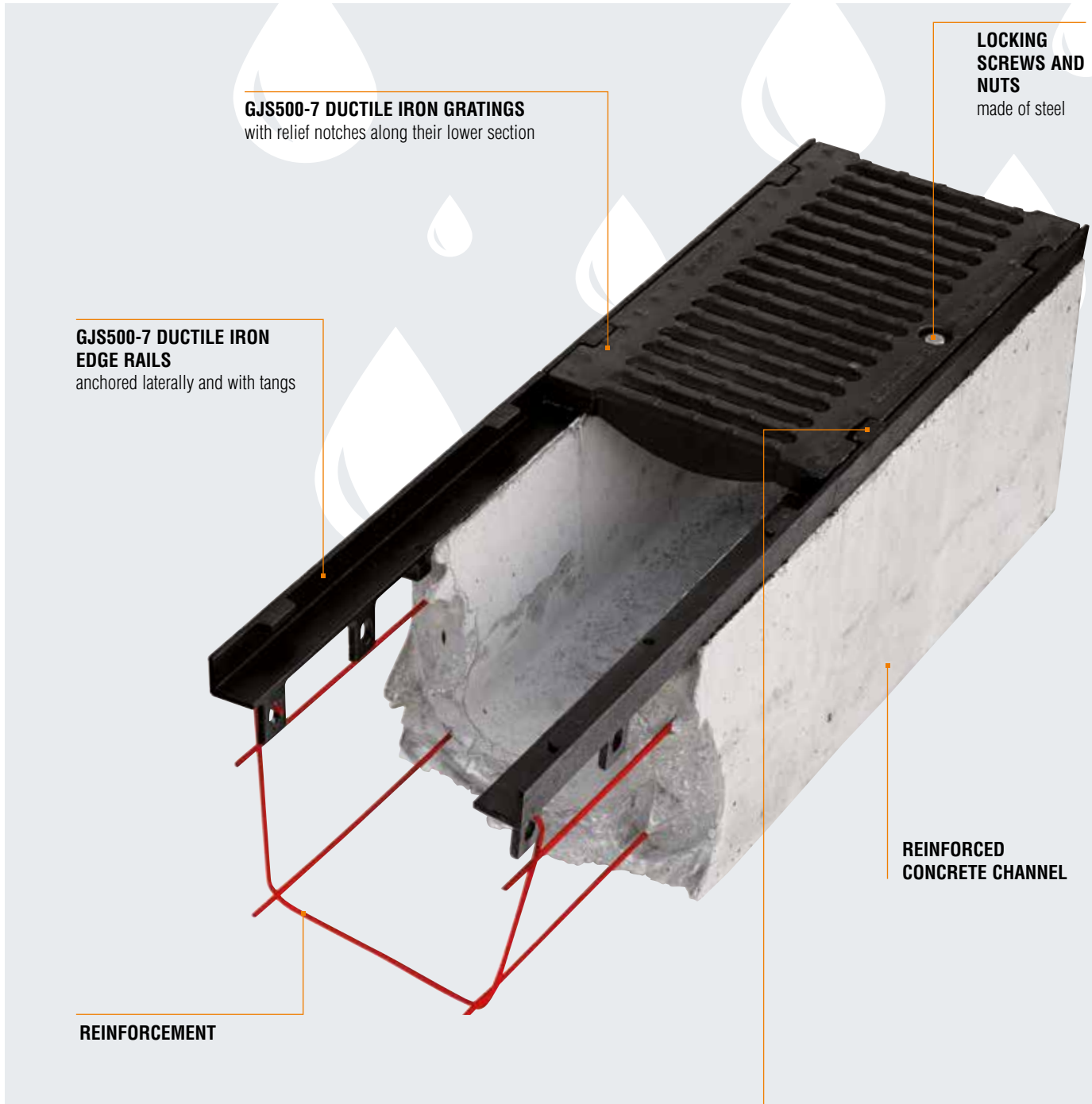
- K 170
- K 270 LOWERED
- K 350
- K 400



REINFORCED CONCRETE CHANNELS

K SERIES

TECHNICAL CHARACTERISTICS



GJS500-7 DUCTILE IRON GRATINGS
with relief notches along their lower section

LOCKING SCREWS AND NUTS
made of steel

GJS500-7 DUCTILE IRON EDGE RAILS
anchored laterally and with tangs

REINFORCED CONCRETE CHANNEL

REINFORCEMENT

K SERIES CHANNELS

Compressive strength: roughly 600 kg/cm²

Tensile strength: roughly 50 kg/cm²

Water absorption: between 1% and 3%

PATENTED LOCKING SYSTEM

The sturdy ductile iron edge rails – inserted into the concrete and connected to channel's metal reinforcement structure – greatly enhance the structure's resistance, and their bare finish blends in perfectly with the ductile iron gratings.



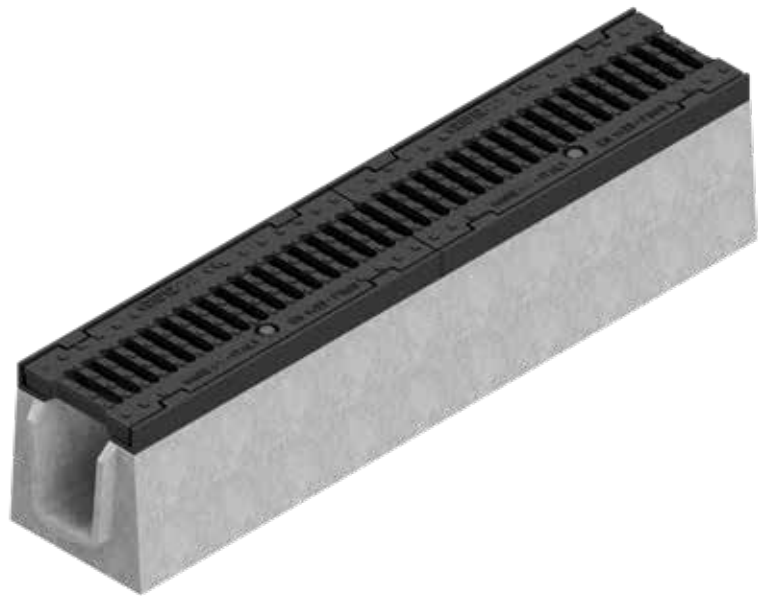
REINFORCED CONCRETE CHANNELS

K 170 SERIES

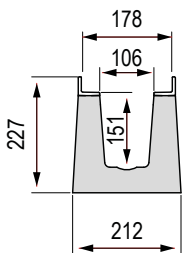
Grating width 170 mm

Reinforced concrete channel and GJS500-7 ductile iron grating equipped with locking system complying with the UNI EN 1433 standard.

The channels are sold exclusively in complete pallets and together with the gratings.



K 170 Series channel dimensions



Available grating

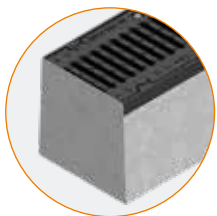


GJS500-7 ductile iron
grating
F 900

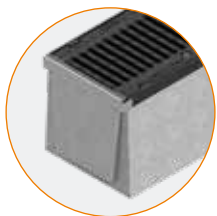
K 170 Series channel complete with grating - Length 1000

Channel L. mm	Code	Description	Water passage mm	Run-off section cm ²	Weight kg	Pieces pallet	Load class
1000	4S05S	Reinforced concrete channel with 172 mm grating made of GJS500-7 ductile iron	106	135	95.58	20	F 900

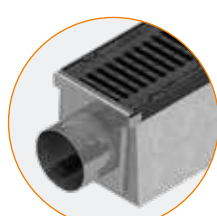
K 170 Series channel accessories



Right-hand end cap



Left-hand end cap



End caps with outlets

Code	Accessories	Weight kg
4S05TID	Right-hand end cap for channel closure female side	0.35
4S05TIS	Left-hand end cap for channel closure male side	0.35
4S05RI	End cap with outlet Ø76 mm	0.58
4S05SF	Channel with perforated bottom Ø82 mm	95.00

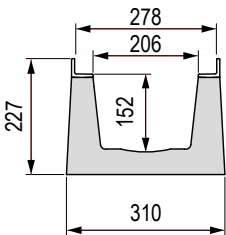
REINFORCED CONCRETE CHANNELS K 270 SERIES lowered

Grating width 270 mm

Reinforced concrete channel and GJS500-7 ductile iron grating equipped with locking system complying with the UNI EN 1433 standard. The channels are sold exclusively in complete pallets and together with the gratings.



K 270 Series lowered channel dimensions



Available grating

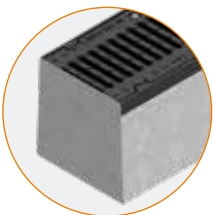


GJS500-7 ductile iron grating
F 900

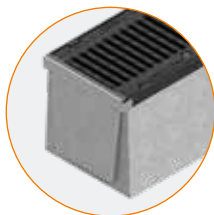
K 270 Series lowered channel complete with grating - Length 1000

Channel L. mm	Code	Description	Water passage mm	Run-off section cm ²	Weight kg	Pieces pallet	Load class
1000	4V06S	Reinforced concrete channel with 272 mm grating made of GJS500-7 ductile iron	206	201	115.70	15	F 900

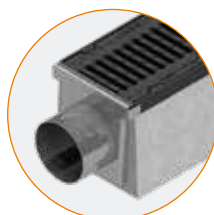
K 270 Series lowered channel accessories



Right-hand end cap



Left-hand end cap



End caps with outlets

Code	Accessories	Weight kg
4V06TID	Right-hand end cap for channel closure female side	0.72
4V06TIS	Left-hand end cap for channel closure male side	0.72
4V06RI	End cap with outlet Ø156 mm	1.48
4V06SF	Channel with perforated bottom Ø162 mm	114.00

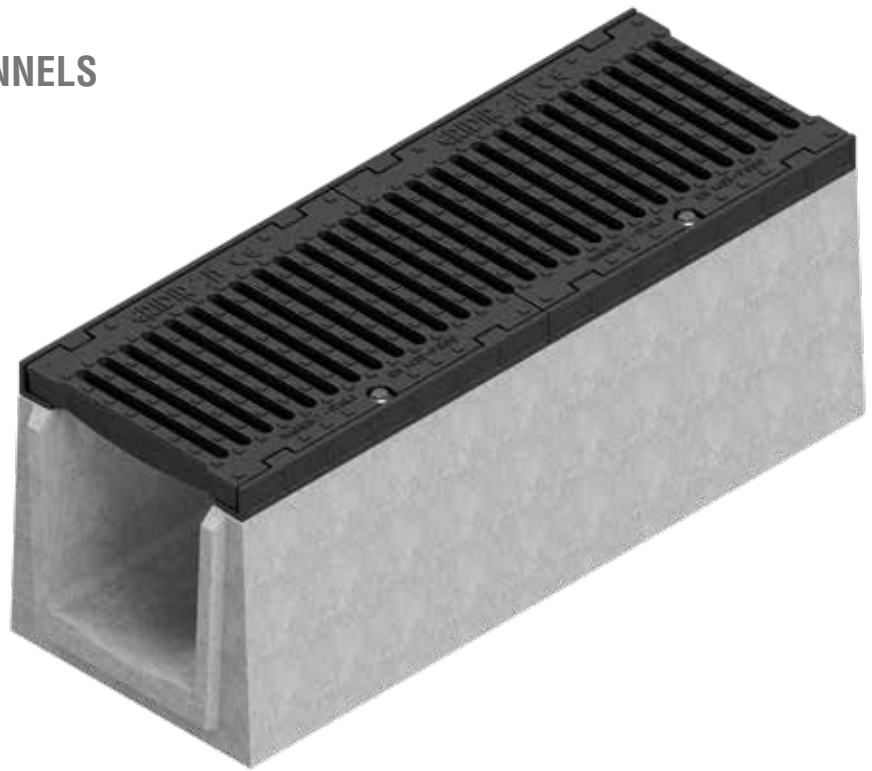
REINFORCED CONCRETE CHANNELS

K 350 SERIES

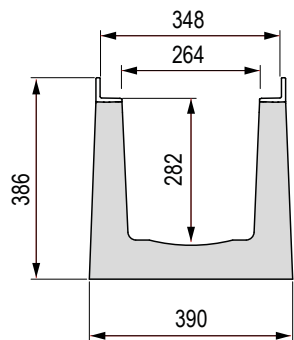
Grating width 350 mm

Reinforced concrete channel and GJS500-7 ductile iron grating equipped with locking system complying with the UNI EN 1433 standard.

The channels are sold exclusively in complete pallets and together with the gratings.



K 350 Series channel dimensions



Available grating

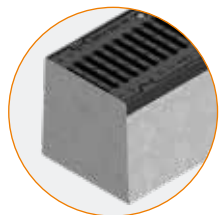


GJS500-7 ductile iron grating
F 900

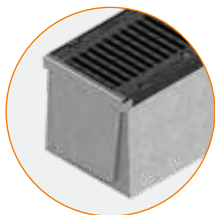
K 350 Series channel complete with grating - Length 1000

Channel L. mm	Code	Description	Water passage mm	Run-off section cm ²	Weight kg	Pieces pallet	Load class
1000	4K05S	Reinforced concrete channel with 350 mm grating made of GJS500-7 ductile iron	264	691	242	9	F 900

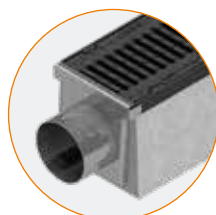
K 350 Series channel accessories



Right-hand end cap



Left-hand end cap



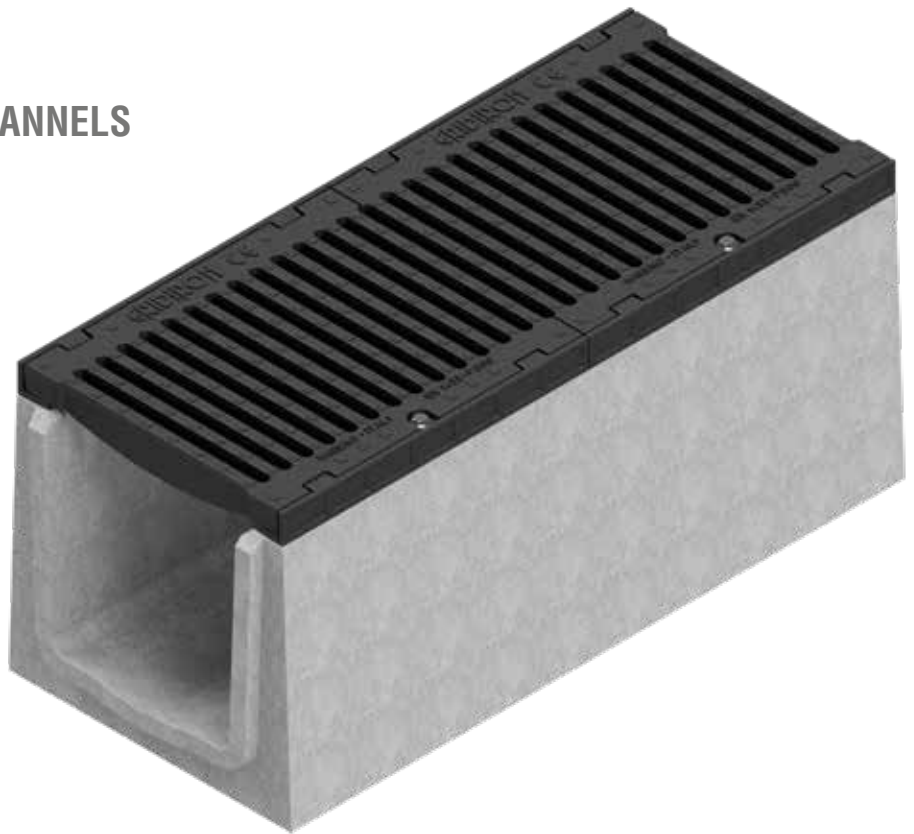
End caps with outlets

Code	Accessories	Weight kg
4K05TID	Right-hand end cap for channel closure female side	1.06
4K05TIS	Left-hand end cap for channel closure male side	1.06
4K05RI	End cap with outlet Ø204 mm	2.02
4K05SF	Channel with perforated bottom Ø202 mm	238.00

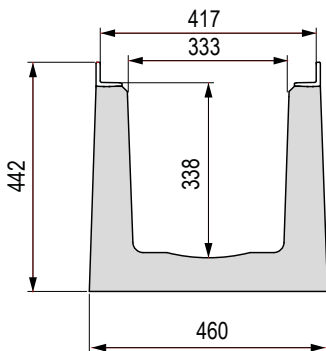
REINFORCED CONCRETE CHANNELS K 400 SERIES

Grating width 400 mm

Reinforced concrete channel and GJS500-7 ductile iron grating equipped with locking system complying with the UNI EN 1433 standard. The channels are sold exclusively in complete pallets and together with the gratings.



K 400 Series channel dimensions



Available grating

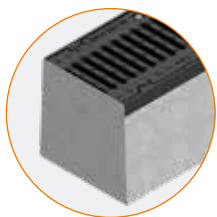


GJS500-7 ductile iron grating
F 900

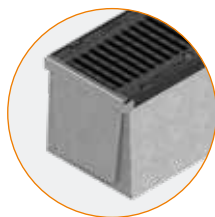
K 400 Series channel complete with grating - Length 1000

Channel L. mm	Code	Description	Water passage mm	Run-off section cm ²	Weight kg	Pieces pallet	Load class
1000	4K10S	Reinforced concrete channel with 400 mm grating made of GJS500-7 ductile iron	333	977	302	6	F 900

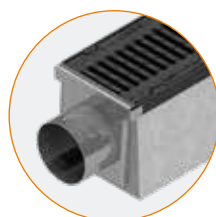
K 400 Series channel accessories



Right-hand end cap



Left-hand end cap



End caps with outlets

Code	Accessories	Weight kg
4K10TID	Right-hand end cap for channel closure female side	1.36
4K10TIS	Left-hand end cap for channel closure male side	1.36
4K10RI	End cap with outlet Ø204 mm	2.80
4K10SF	Channel with perforated bottom Ø202 mm	298.00



REINFORCED CONCRETE CHANNELS

Load classes

In accordance with the UNI EN 1433 standard

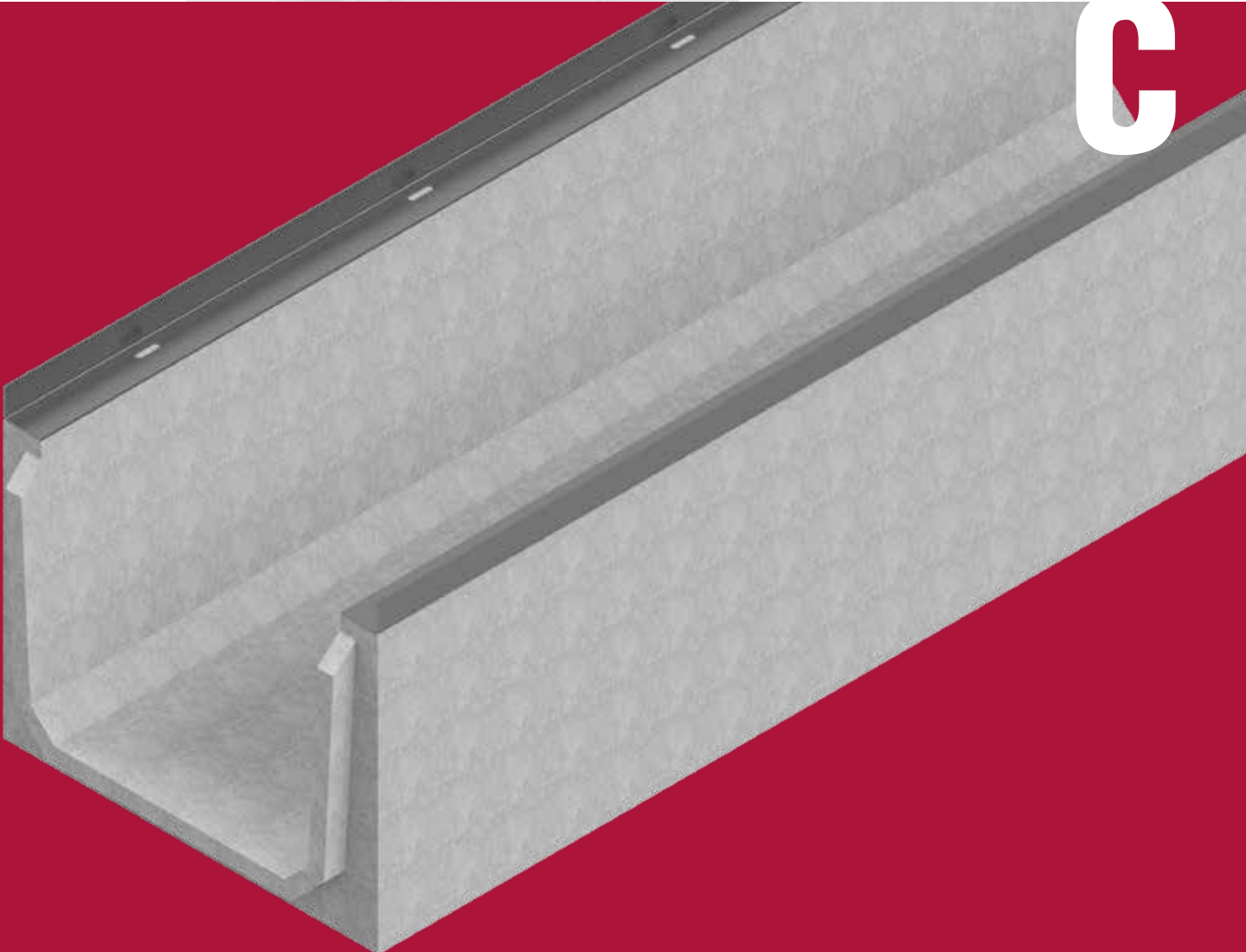


D 400

SERIES

C

REINFORCED
CONCRETE CHANNELS



- C 500
- C 600
- C 700
- C 800



REINFORCED CONCRETE CHANNELS

C SERIES

TECHNICAL CHARACTERISTICS



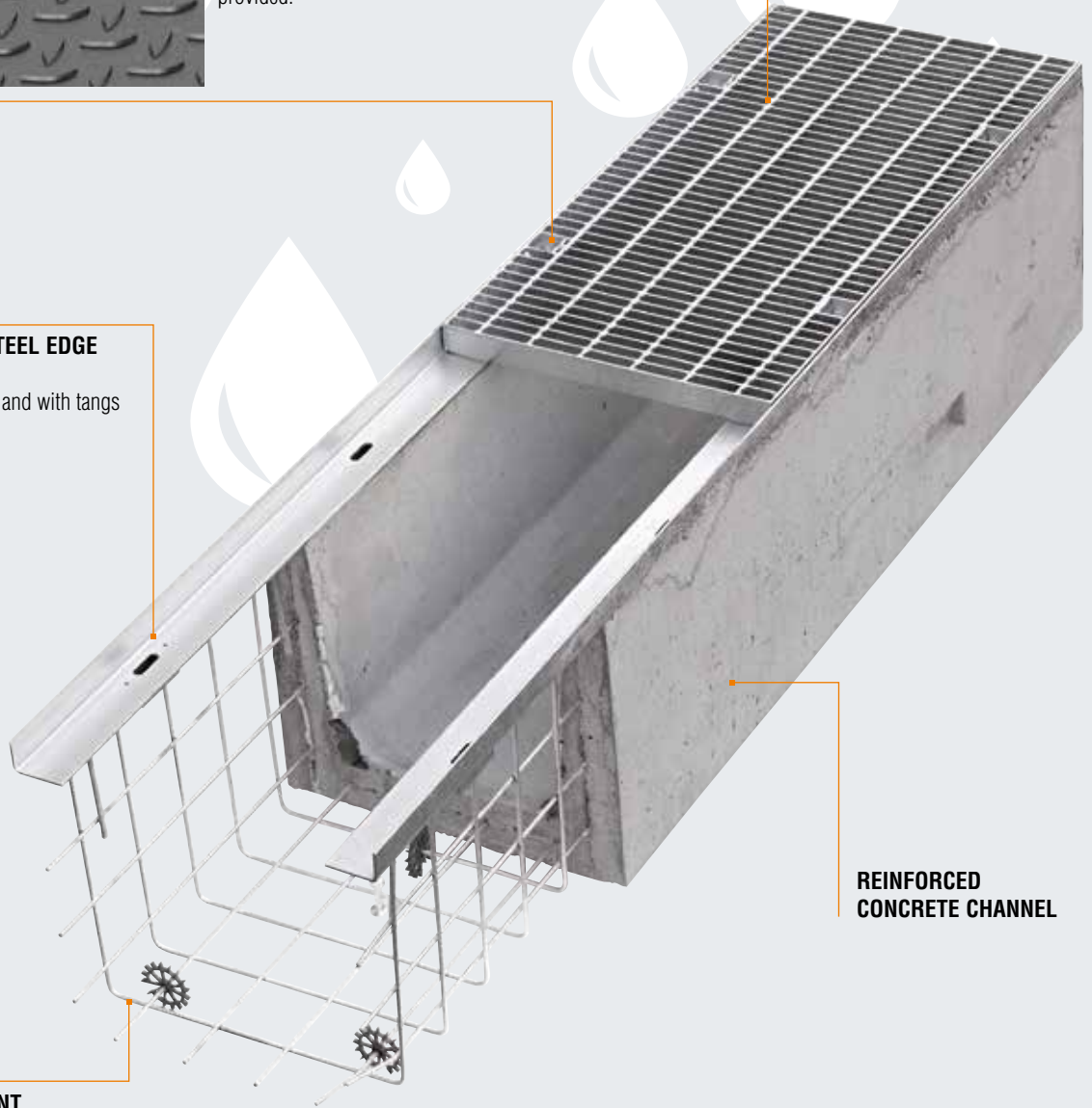
LOCKING SCREWS AND NUTS

Gratings and plates secured in 4 points, with appropriate slots for housing the stainless steel bolts provided.

ASSORTED COVERS,
forge-welded gratings, embossed sheet metal plate or reinforced concrete cover

GALVANISED STEEL EDGE RAILS

anchored laterally and with tangs



REINFORCED CONCRETE CHANNEL

REINFORCEMENT

ACCESSORIES FOR C SERIES CHANNELS



All C series channels are equipped with lifting pins located in 3 points of the channel.

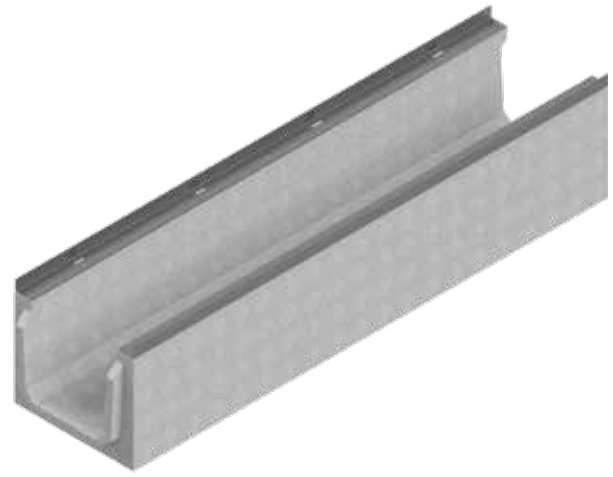
N.B.: the hook is not provided.

REINFORCED CONCRETE CHANNELS

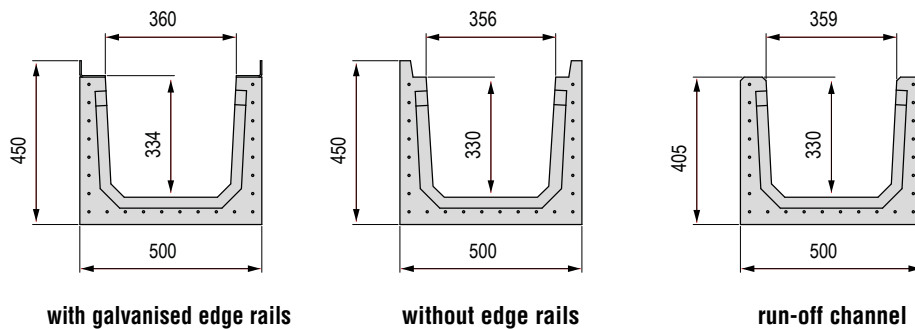
C 500 SERIES

Grating width 500 mm

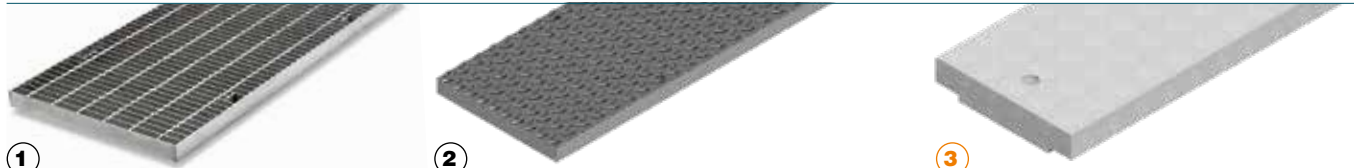
Reinforced concrete channel with galvanised edge rails complying with the UNI EN 1433 standard. The channels are sold exclusively in complete pallets and together with the gratings.



C 500 Series channel dimensions



Available gratings N.B.: the concrete cover is available only on request



① Forge-welded grating, 22x76 mesh, galvanised
D 400

② Embossed metal sheet plate Th. 5 reinforced with grid, galvanised
D 400

③ Reinforced concrete cover
B 125

Grating L. mm	Code	Grating	Description of the gratings complete with accessories for C 500 channel	Weight kg	Load class
1000	4W00G	①	Forge-welded galvanised grating 40x4 22x76 complete with stainless steel nuts and bolts	31.90	D 400
	4W00P	②	Embossed metal sheet plate Th. 5 reinforced with galvanised grid, complete with stainless steel nuts and bolts	35.50	
	4WA0C	③	Solid reinforced concrete cover only for water run-off channel	75.00	B 125

C 500 Series channel without grating

Channel L. mm	Code	Description	Water passage mm	Run-off section cm ²	Weight kg	Pieces pallet
2000	4W01S	Reinforced concrete channel with galvanised edge rails (combine with 2 gratings or plates L=1000 mm)	360	1099	478	4
	4WN1S	Reinforced concrete channel without galvanised edge rails (combine with 2 gratings or plates L=1000 mm)	356	1099	488	4
	4WA1S	Reinforced concrete water run-off channel (combine with 2 reinforced concrete covers L=1000 mm)	359	1099	468	4
1000	4W00S	Reinforced concrete channel with galvanised edge rails	360	1099	239	6
	4WN0S	Reinforced concrete channel without galvanised edge rails	356	1099	244	6
	4WA0S	Reinforced concrete water run-off channel	359	1099	234	6

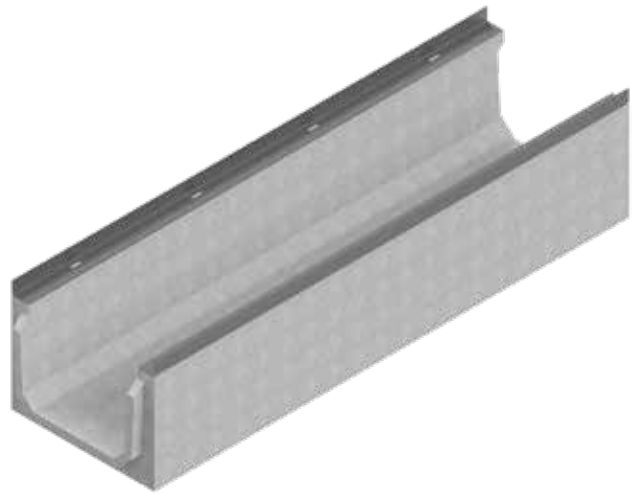
ADDITIONAL PROCESSING ON REQUEST

Code	Accessories
	Channel bottom drilling Ø202 mm

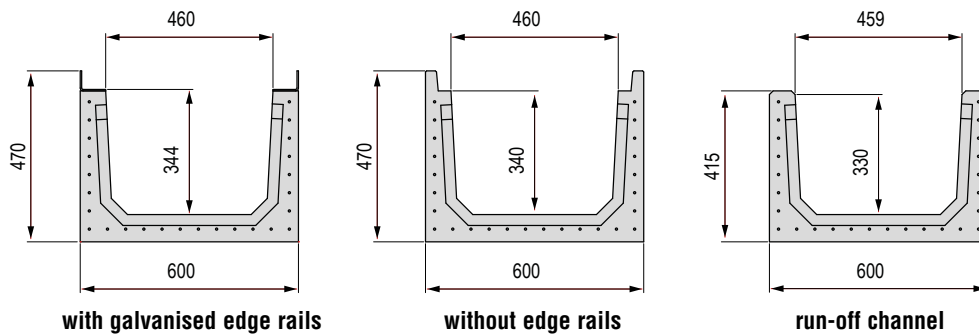
REINFORCED CONCRETE CHANNELS C 600 SERIES

Grating width 600 mm

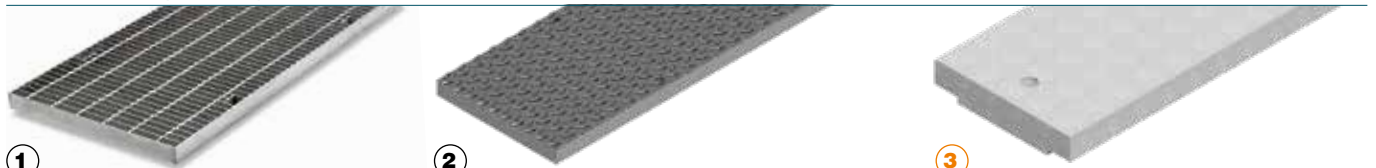
Reinforced concrete channel with galvanised edge rails complying with the UNI EN 1433 standard. The channels are sold exclusively in complete pallets and together with the gratings.



C 600 Series channel dimensions



Available gratings N.B.: the concrete cover is available only on request



① Forge-welded grating, 22x76 mesh, galvanised
D 400

② Embossed metal sheet plate Th. 5 reinforced with grid, galvanised
D 400

③ Reinforced concrete cover
B 125

Grating L. mm	Code	Grating	Description of the gratings complete with accessories for C 600 channel	Weight kg	Load class
1000	4X00G	①	Forge-welded galvanised grating 50x4 22x76 complete with stainless steel nuts and bolts	50.30	D 400
	4X00P	②	Embossed metal sheet plate Th. 5 reinforced with galvanised grid, complete with stainless steel nuts and bolts	54.00	
	4XA06	③	Solid reinforced concrete cover only for water run-off channel	135.66	B 125

C 600 Series channel without grating

Channel L. mm	Code	Description	Water passage mm	Run-off section cm²	Weight kg	Pieces pallet
2000	4X01S	Reinforced concrete channel with galvanised edge rails (combine with 2 gratings or plates L=1000 mm)	460	1437	525	3
	4XN1S	Reinforced concrete channel without galvanised edge rails (combine with 2 gratings or plates L=1000 mm)	460	1437	543	3
	4XA1S	Reinforced concrete water run-off channel (combine with 2 reinforced concrete covers L=1000 mm)	459	1437	519	3
1000	4X00S	Reinforced concrete channel with galvanised edge rails	460	1437	260	4
	4XN0S	Reinforced concrete channel without galvanised edge rails	460	1437	271.5	4
	4XA0S	Reinforced concrete water run-off channel	459	1437	259.5	4

ADDITIONAL PROCESSING ON REQUEST

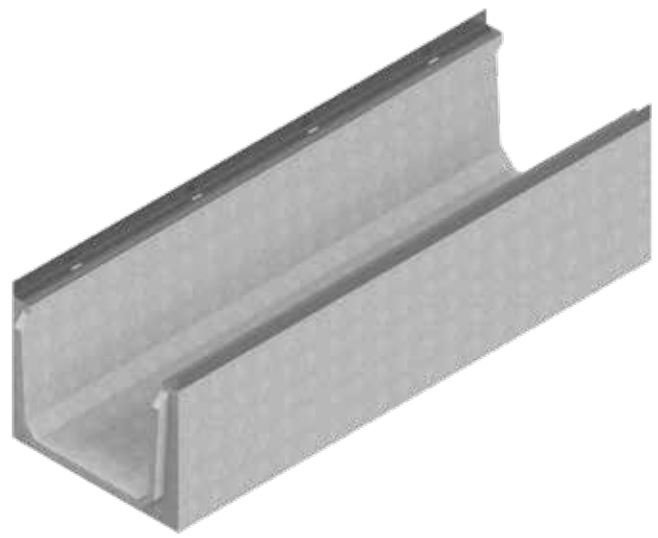
Code	Accessories
	Channel bottom drilling Ø317 mm

REINFORCED CONCRETE CHANNELS

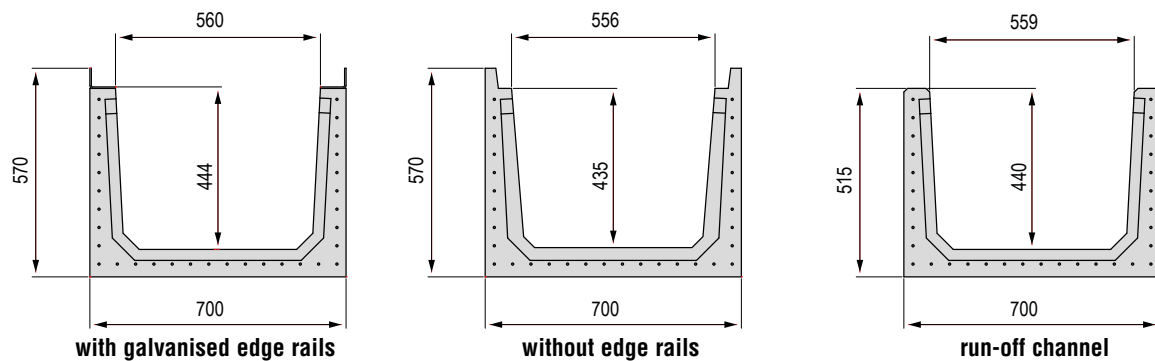
C 700 SERIES

Grating width 700 mm

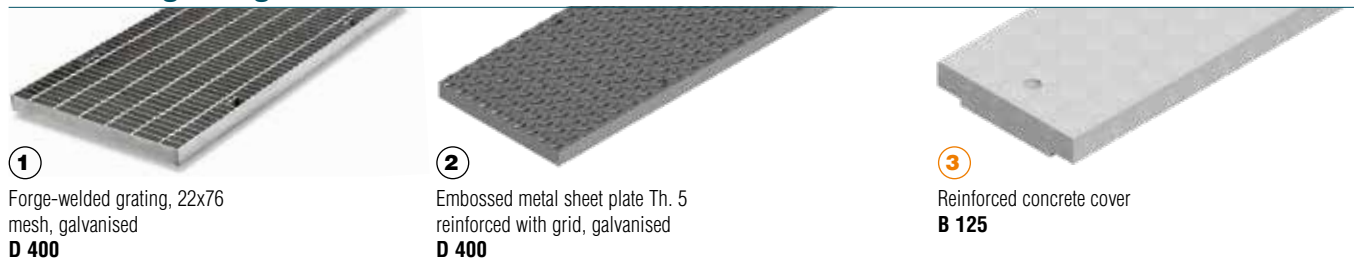
Reinforced concrete channel with galvanised edge rails complying with the UNI EN 1433 standard. The channels are sold exclusively in complete pallets and together with the gratings.



C 700 Series channel dimensions



Available gratings N.B.: the concrete cover is available only on request



Grating L. mm	Code	Grating	Description of the gratings complete with accessories for C 700 channel	Weight kg	Load class
1000	4Y00G	①	Forge-welded galvanised grating 50x4 22x76 complete with stainless steel nuts and bolts	57.90	D 400
	4Y00P	②	Embossed metal sheet plate Th. 5 reinforced with galvanised grid, complete with stainless steel nuts and bolts	59.86	
	4YA06	③	Solid reinforced concrete cover only for water run-off channel	159.66	B 125

C 700 Series channel without grating

Channel L. mm	Code	Description	Water passage mm	Run-off section cm²	Weight kg	Pieces pallet
2000	4Y01S	Reinforced concrete channel with galvanised edge rails (combine with 2 gratings or plates L=1000 mm)	560	2256	652	2
	4YN1S	Reinforced concrete channel without galvanised edge rails (combine with 2 gratings or plates L=1000 mm)	556	2256	660	2
	4YA1S	Reinforced concrete water run-off channel (combine with 2 reinforced concrete covers L=1000 mm)	559	2256	646	2
1000	4Y00S	Reinforced concrete channel with galvanised edge rails	560	2256	316	4
	4YN0S	Reinforced concrete channel without galvanised edge rails	556	2256	330	4
	4YA0S	Reinforced concrete water run-off channel	559	2256	323	4

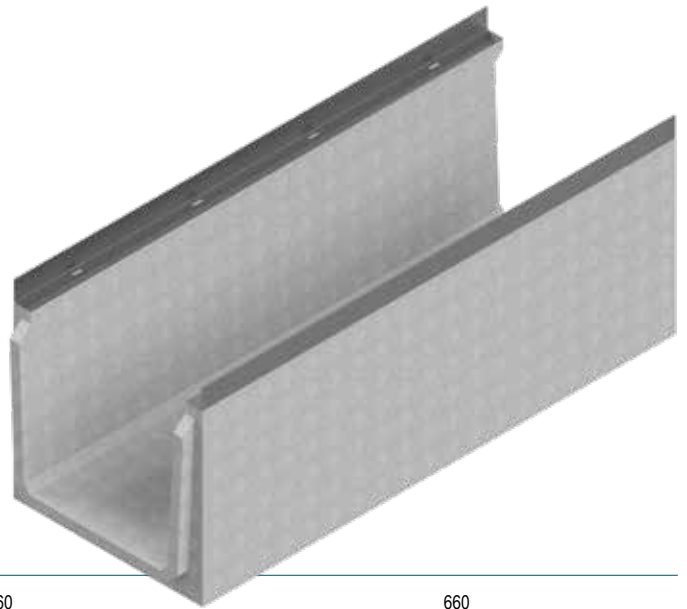
ADDITIONAL PROCESSING ON REQUEST

Code	Accessories
	Channel bottom drilling Ø402 mm

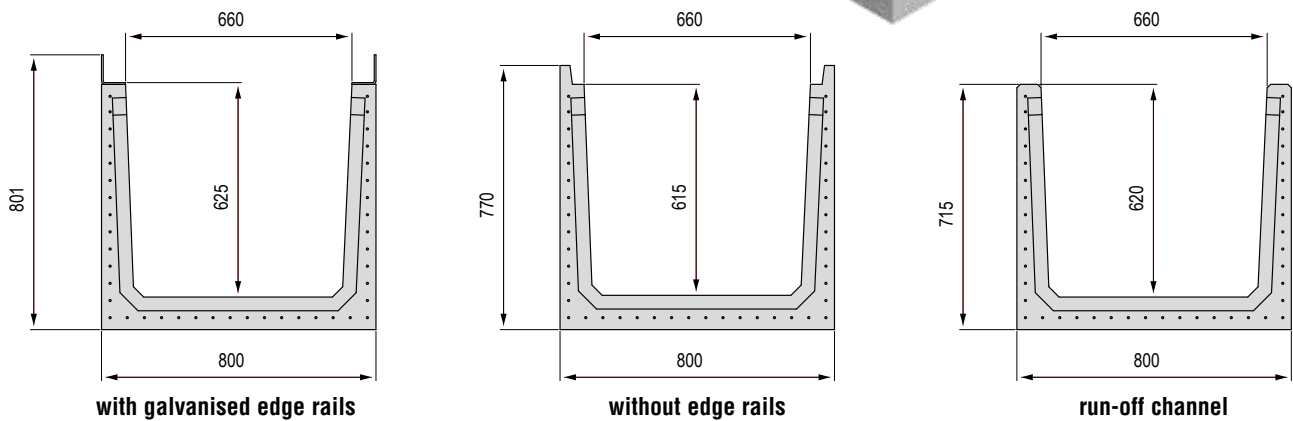
REINFORCED CONCRETE CHANNELS C 800 SERIES

Grating width 800 mm

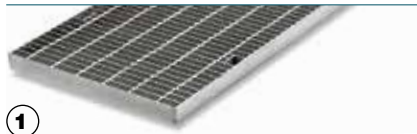
Reinforced concrete channel with galvanised edge rails complying with the UNI EN 1433 standard. The channels are sold exclusively in complete pallets and together with the gratings.



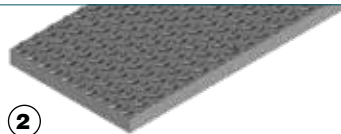
C 800 Series channel dimensions



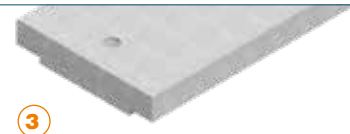
Available gratings *N.B.: the concrete cover is available only on request*



① Pressure-locked grating, 25x66 mesh, galvanised **D 400**



② Embossed sheet metal plate Th. 5 reinforced with grid, galvanised **D 400**



③ Reinforced concrete cover **B 125**

Grating L. mm	Code	Grating	Description of the gratings complete with accessories for C 800 channel	Weight kg	Load class
1000	4J00G	①	Pressure-locked galvanised grating 80x4 25x66 complete with stainless steel nuts and bolts	77.30	D 400
	4J00P	②	Embossed metal sheet plate Th. 5 reinforced with galvanised grid, complete with stainless steel nuts and bolts	68.40	
	4JA0C	③	Solid reinforced concrete cover only for water run-off channel	182.47	B 125

C 800 Series channel without grating

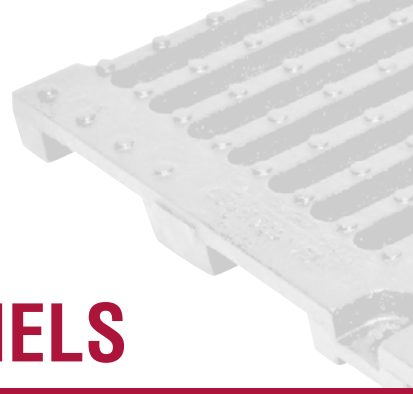
Channel L. mm	Code	Description	Water passage mm	Run-off section c ²	Weight kg	Pieces pallet
2000	4J01S	Reinforced concrete channel with galvanised edge rails (combine with 2 gratings or plates L=1000 mm)	660	3773	910	loose
	4JN1S	Reinforced concrete channel without galvanised edge rails (combine with 2 gratings or plates L=1000 mm)	660	3773	920	loose
	4JA1S	Reinforced concrete water run-off channel (combine with 2 reinforced concrete covers L=1000 mm)	660	3773	738	loose
1000	4J00S	Reinforced concrete channel with galvanised edge rails	660	3773	372	loose
	4JN0S	Reinforced concrete channel without galvanised edge rails	660	3773	377	loose
	4JA0S	Reinforced concrete water run-off channel	660	3773	369	loose

ADDITIONAL PROCESSING ON REQUEST

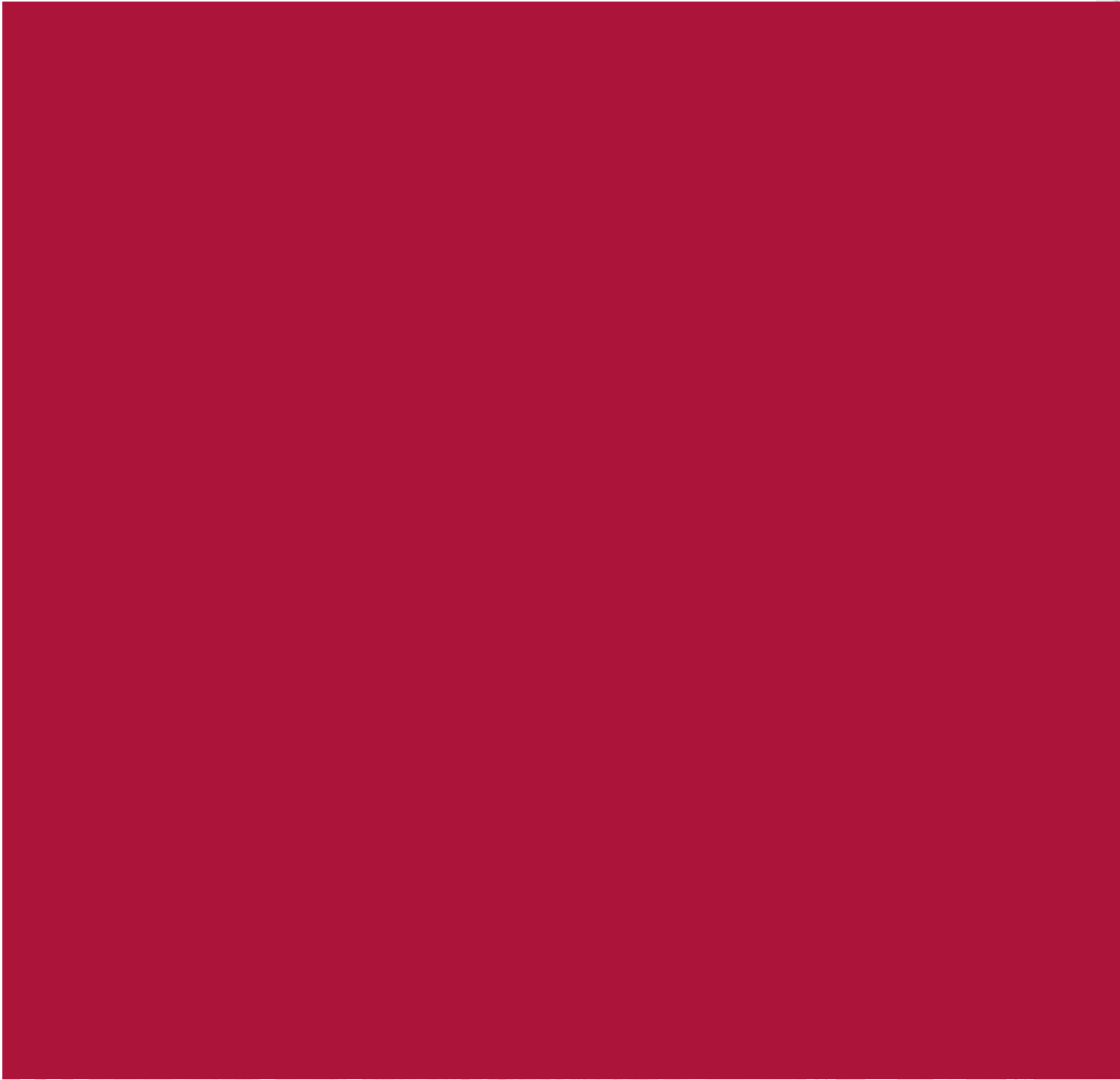
Code	Accessories
	Channel bottom drilling Ø402 mm



REINFORCED
CONCRETE CHANNELS



REINFORCED CONCRETE CHANNELS



Load classes

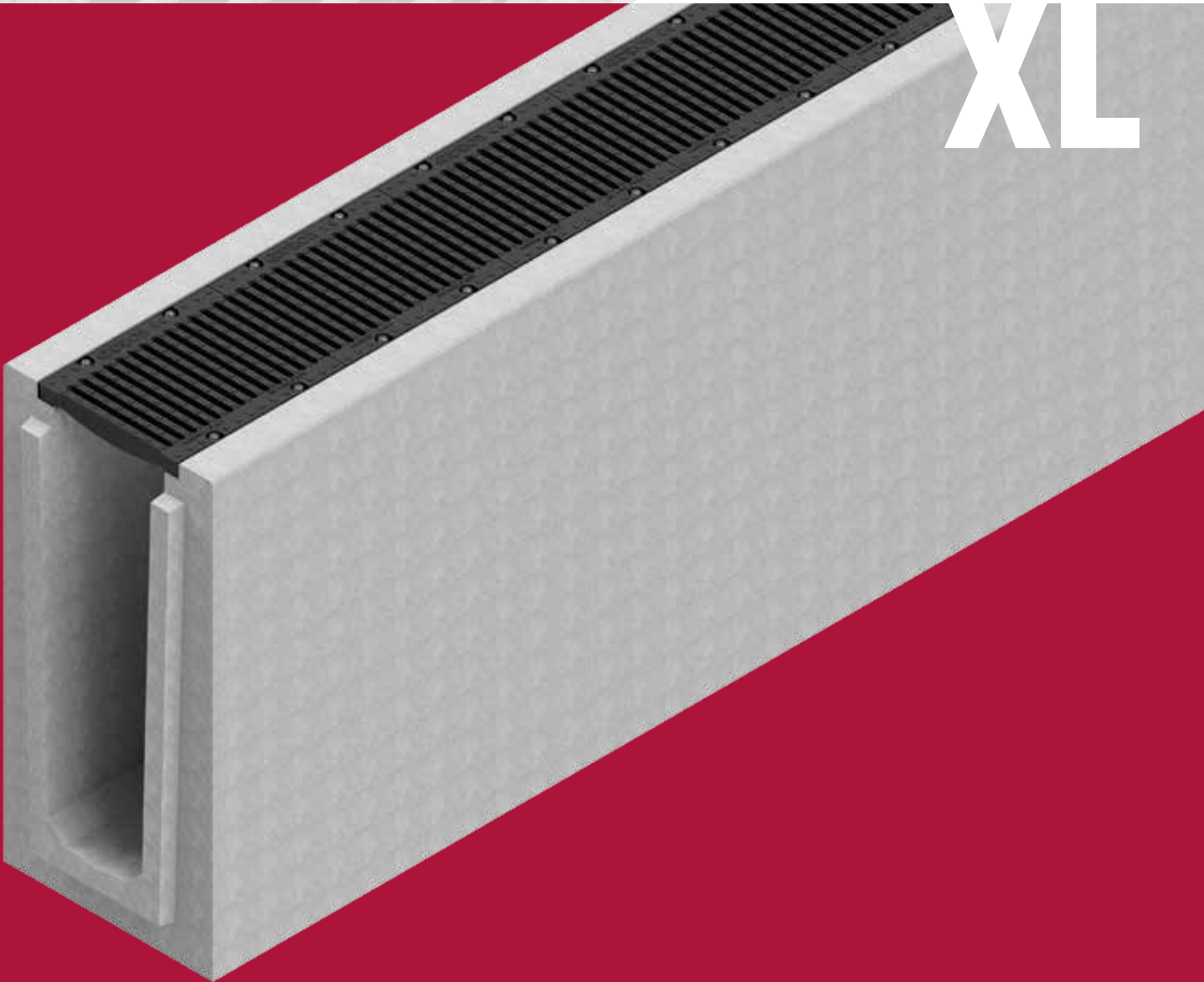
In accordance with the UNI EN 1433 standard



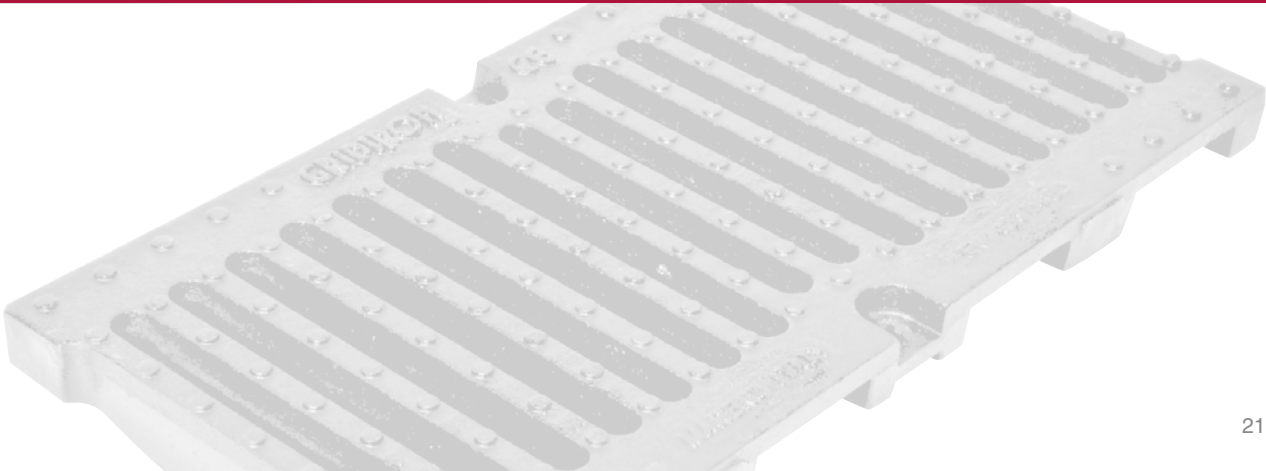
F 900

SERIES XL

REINFORCED
CONCRETE CHANNELS



• XL 410



REINFORCED CONCRETE CHANNELS

XL SERIES

TECHNICAL CHARACTERISTICS



LOCKING SCREWS AND NUTS
made of stainless steel

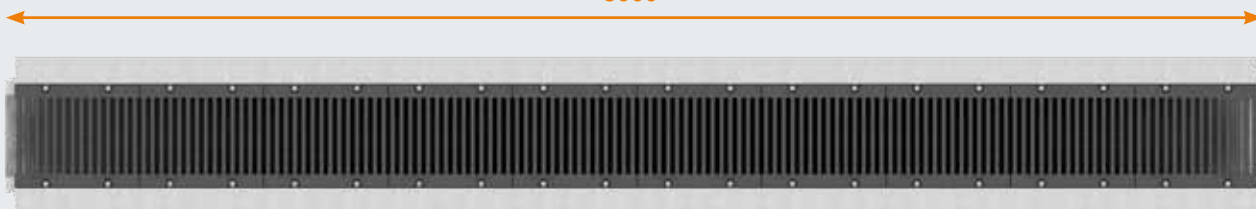


DUCTILE IRON GRATINGS



INNER REINFORCEMENT

5000

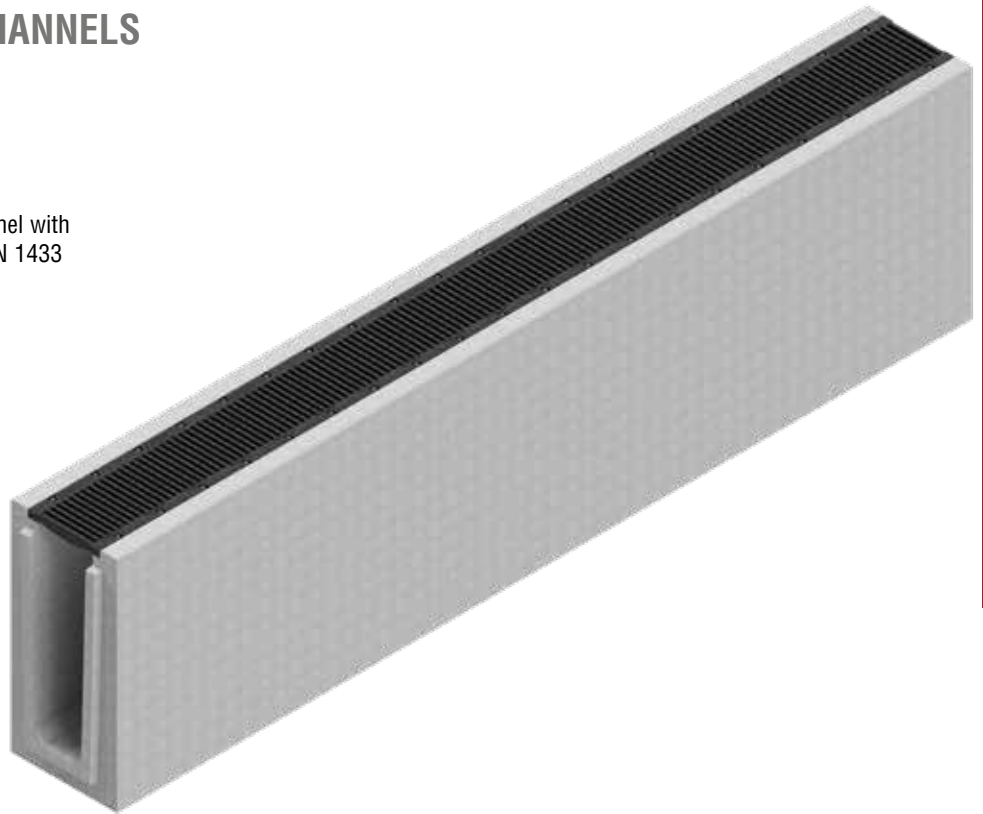


REINFORCED CONCRETE CHANNELS

XL 410 SERIES

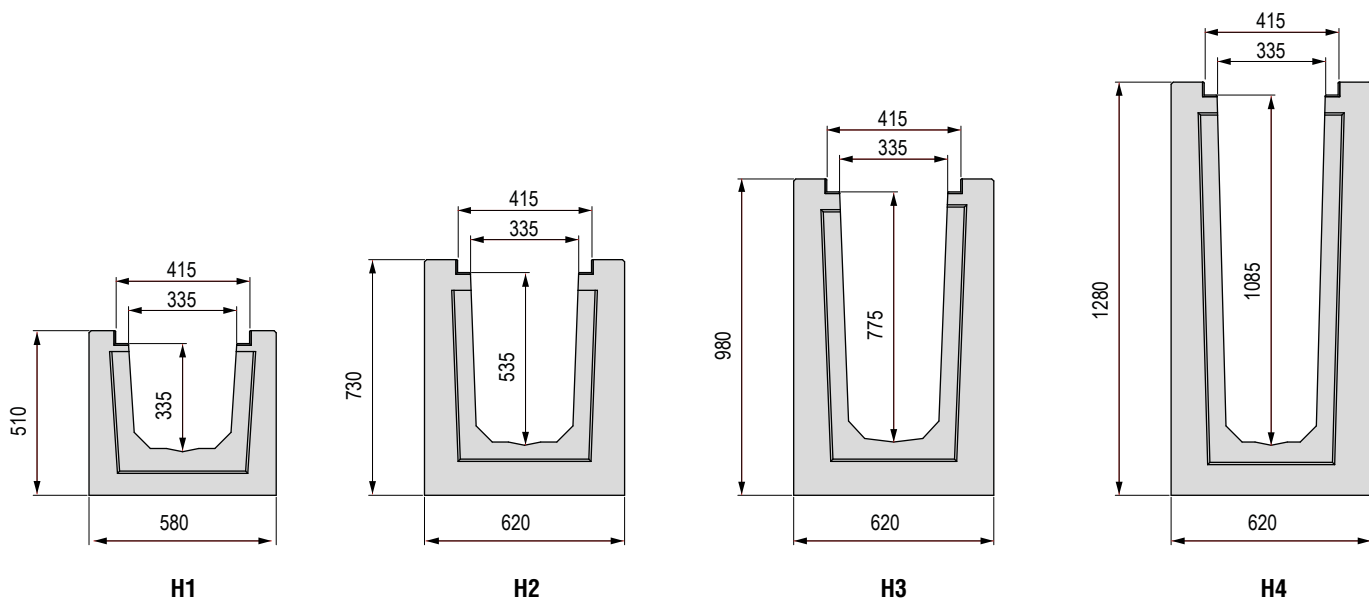
Grating width 410 mm

Type I self-supporting reinforced concrete channel with galvanised edge rails complying with the UNI EN 1433 standard.



REINFORCED
CONCRETE CHANNELS

XL 410 Series channel dimensions



XL 410 Series channel with grating

Channel L. mm	Code	Description	Water passage mm	Run-off section cm ²	Weight kg	Load class
5000	4XLM0SGS	Type I self-supporting reinforced concrete channel with galvanised edge rails H1 complete with 10 x GJS500-7 ductile iron gratings	335	987	2590	F 900
	4XLM1SGS	Type I self-supporting reinforced concrete channel with galvanised edge rails H2 complete with 10 x GJS500-7 ductile iron gratings	335	1617	3784	
	4XLM2SGS	Type I self-supporting reinforced concrete channel with galvanised edge rails H3 complete with 10 x GJS500-7 ductile iron gratings	335	2334	4785	
	4XLM3SGS	Type I self-supporting reinforced concrete channel with galvanised edge rails H4 complete with 10 x GJS500-7 ductile iron gratings	335	3256	6000	

