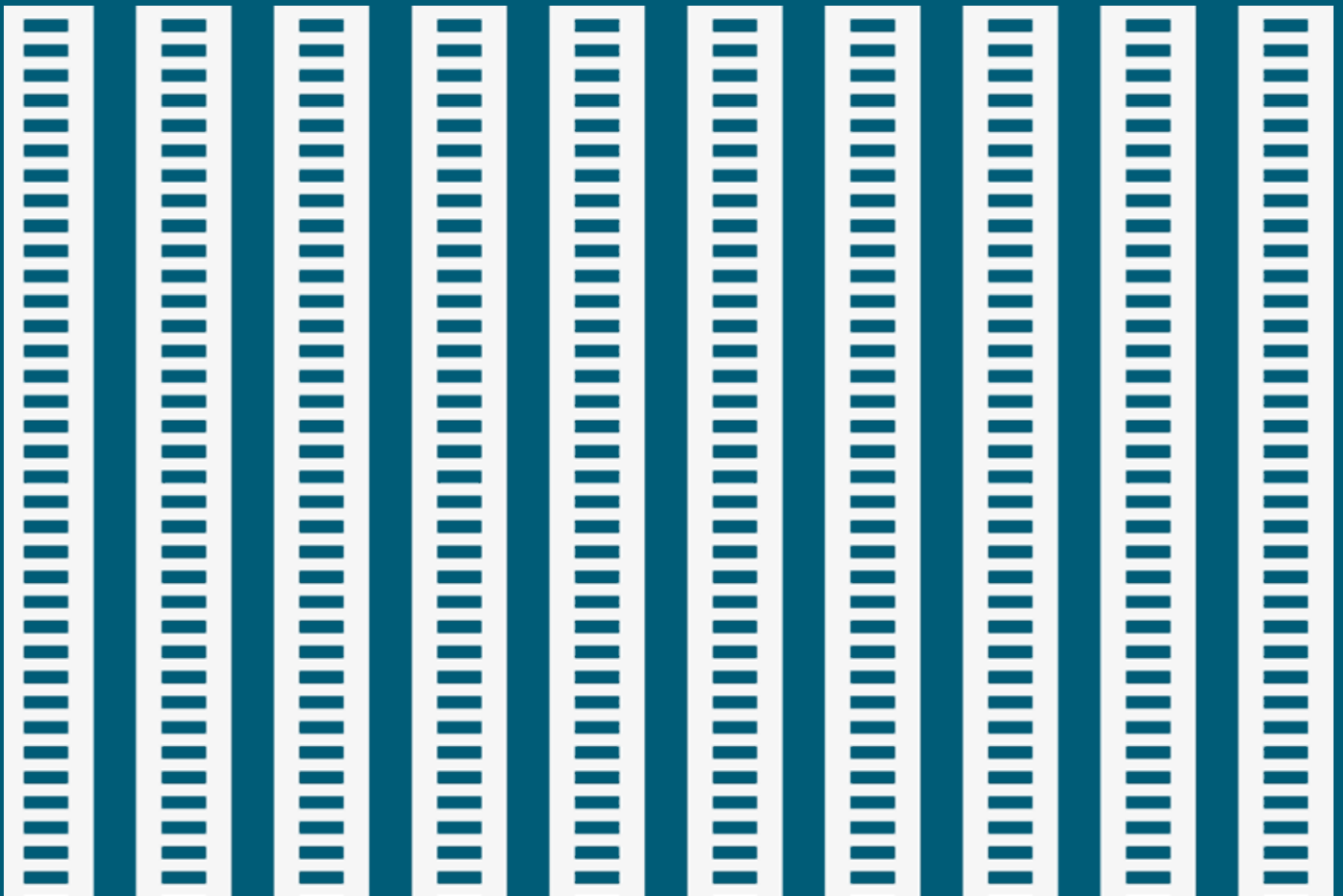


Drainage systems.

**Abs
channels**



®

GRIP



ABS CHANNELS



PAGE
4

PLASTIC FLY SERIES



GRIDIRON®
BUILD YOUR CHANGES

ABS CHANNELS

ABS CHANNELS



Load classes

In accordance with the UNI EN 1433 standard



A 15 • C 250 • D 400

PLASTIC FLY SERIES



- PLASTIC FLY 100
- PLASTIC FLY 100 LOW
- PLASTIC FLY 150
- PLASTIC FLY 150 LOW
- PLASTIC FLY 200
- PLASTIC FLY 200 LOW

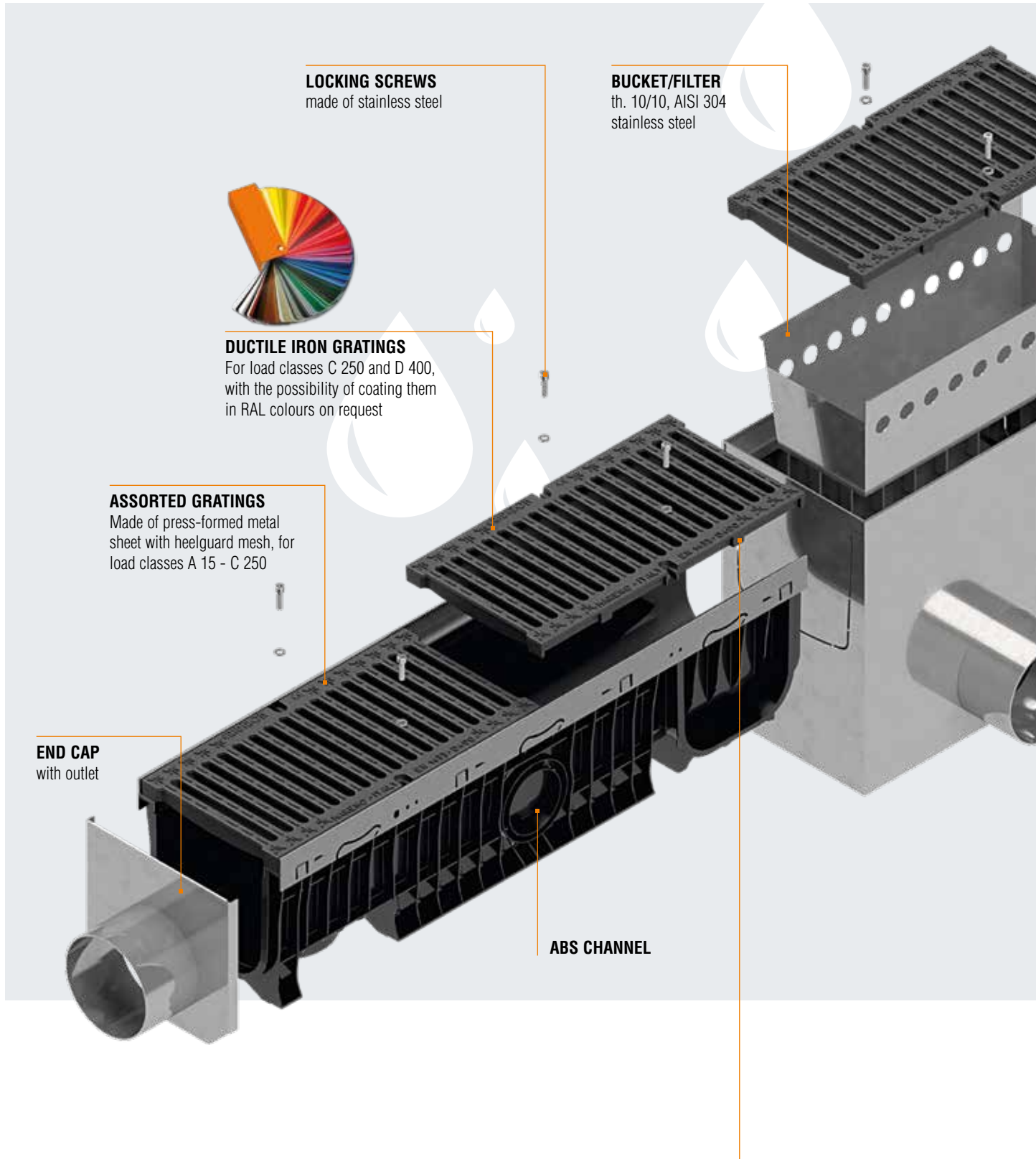
ABS CHANNELS



ABS CHANNELS

PLASTIC FLY SERIES

SYSTEM AND TECHNICAL CHARACTERISTICS



LOCKING SCREWS
made of stainless steel

BUCKET/FILTER
th. 10/10, AISI 304
stainless steel

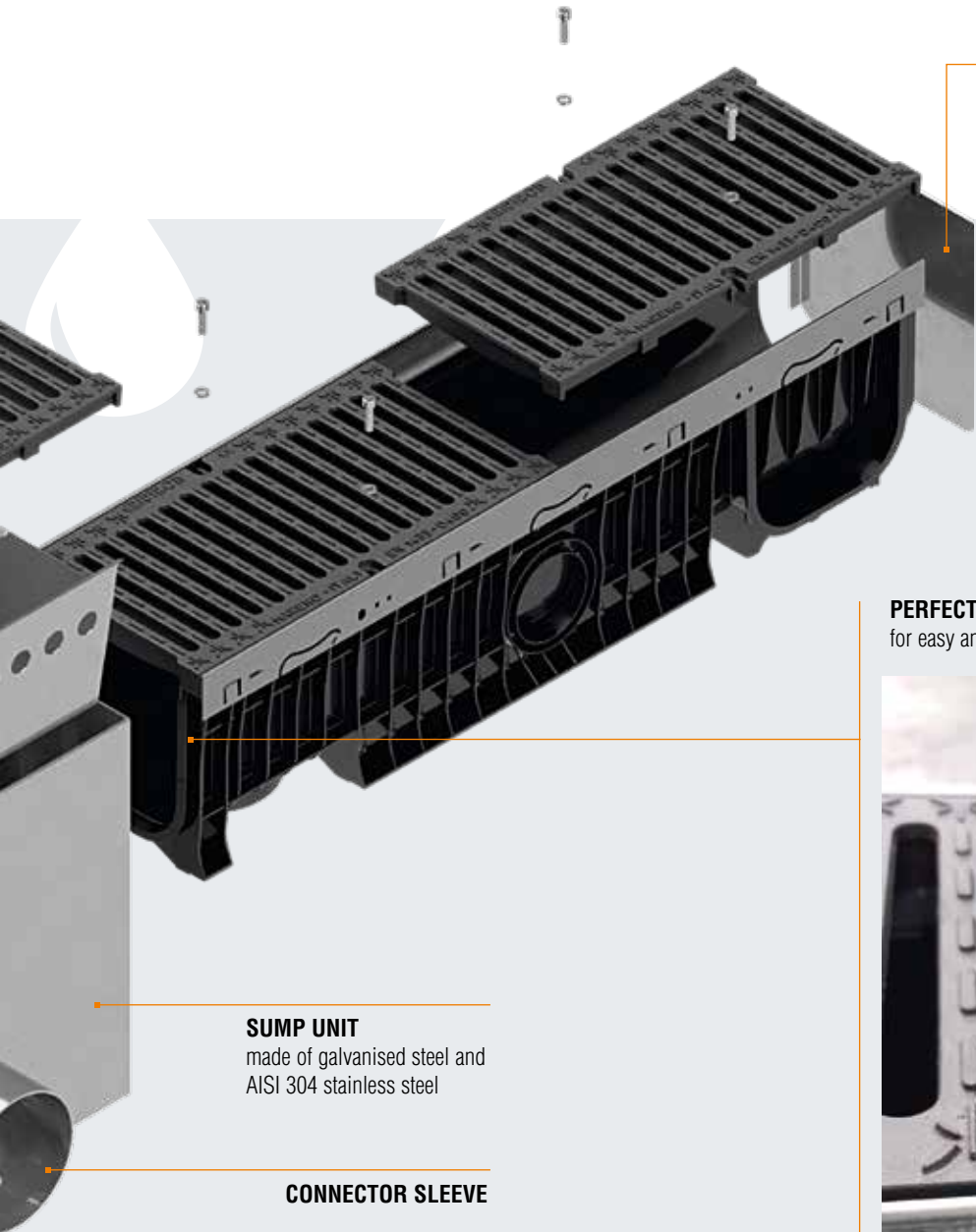


DUCTILE IRON GRATINGS
For load classes C 250 and D 400,
with the possibility of coating them
in RAL colours on request

ASSORTED GRATINGS
Made of press-formed metal
sheet with heelguard mesh, for
load classes A 15 - C 250

END CAP
with outlet

ABS CHANNEL



END CAP
for channel

PERFECT AND STABLE JOINING
for easy and safe laying



SUMP UNIT
made of galvanised steel and
AISI 304 stainless steel

CONNECTOR SLEEVE

DUCTILE IRON GRATINGS SECURED TO THE CHANNEL
The ductile iron gratings secured to the channel have four relief notches along their lower section which slot into the relative housings on the protective edge rail of the channel to prevent their longitudinal movement.



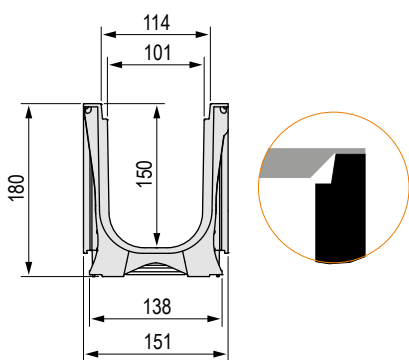
ABS CHANNELS PLASTIC FLY 100

Grating width 150 mm

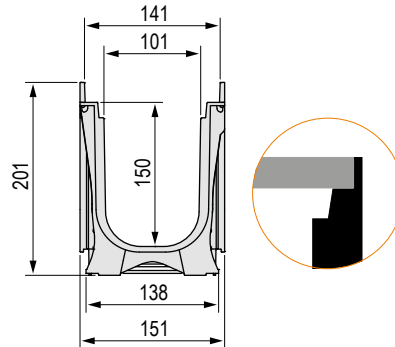
ABS channel available in various versions for housing the grating: without edge rails, with ABS edge rails or with metal edge rails, complying with the UNI EN 1433 standard. The channels are sold exclusively in complete pallets and together with the gratings.



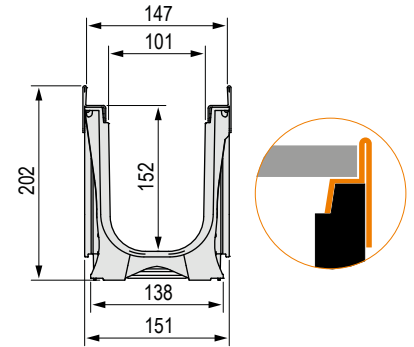
Dimensions of the Plastic Fly 100 channel based on the type of edge rail used



Without protective edge rail
(applicable to code 4D00SLA only)

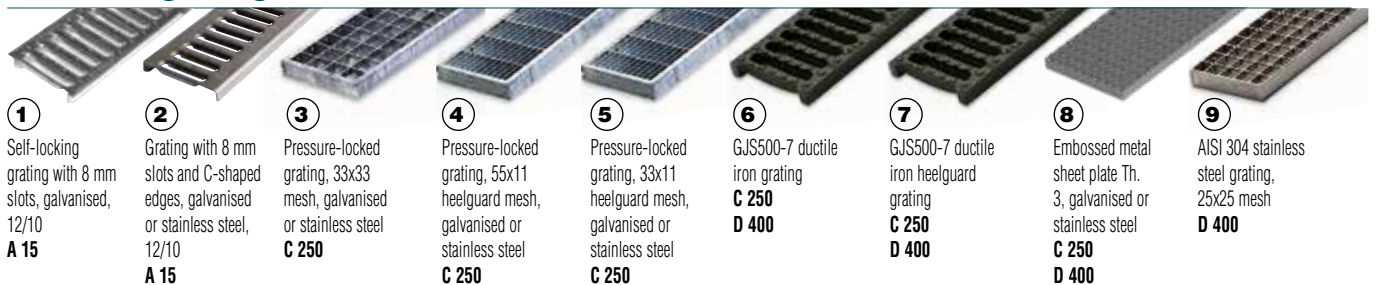


With ABS protective edge rail



With protective edge rail **MADE OF GALVANISED STEEL OR AISI 304 STAINLESS STEEL**

Available gratings



- ① Self-locking grating with 8 mm slots, galvanised, 12/10
A 15
- ② Grating with 8 mm slots and C-shaped edges, galvanised or stainless steel, 12/10
A 15
- ③ Pressure-locked grating, 33x33 mesh, galvanised or stainless steel
C 250
- ④ Pressure-locked grating, 55x11 heelguard mesh, galvanised or stainless steel
C 250
- ⑤ Pressure-locked grating, 33x11 heelguard mesh, galvanised or stainless steel
C 250
- ⑥ GJS500-7 ductile iron grating
C 250
D 400
- ⑦ GJS500-7 ductile iron heelguard grating
C 250
D 400
- ⑧ Embossed metal sheet plate Th. 3, galvanised or stainless steel
C 250
D 400
- ⑨ AISI 304 stainless steel grating, 25x25 mesh
D 400

Plastic Fly 100 channel complete with grating - Length 1000 mm

WITHOUT PROTECTIVE EDGE RAIL

Channel L. mm	Code	Grating	Description of the channel assembled with the grating complete with accessories	Weight kg	Load class
1000	4D00SLA	①	Channel complete with self-locking press-formed metal sheet inlay grating 12/10, galvanised	4.19	A 15

WITH ABS PROTECTIVE EDGE RAIL

Channel L. mm	Code	Grating	Description of the channel assembled with the grating complete with accessories	Weight kg	Load class
1000	4D01SLC	②	Channel complete with galvanised press-formed metal sheet grating 12/10 with C-shaped edges	4.28	A 15
	4D01SG1	③	Channel complete with pressure-locked grating with C-shaped edges, 20x2-10x2 33x33, hot-dip galvanised	5.00	C 250
	4D01SG2	④	Channel complete with pressure-locked grating with C-shaped edges, 20x2-10x2 55x11 heelguard mesh, hot-dip galvanised	5.70	
	4D01SG3	⑤	Channel complete with pressure-locked grating with C-shaped edges, 20x2-10x2 33x11 heelguard mesh, hot-dip galvanised	6.27	
	4D01SGS	⑥	Channel complete with 2 x GJS500-7 ductile iron gratings	10.36	
	4D01SGSA	⑦	Channel complete with 2 x GJS500-7 ductile iron heelguard gratings	12.42	
	4D01SP	⑧	Channel complete with embossed metal sheet solid plate Th. 3, reinforced and hot-dip galvanised	12.71	

WITH GALVANISED PROTECTIVE EDGE RAIL

Channel L. mm	Code	Grating	Description of the channel assembled with the grating complete with accessories	Weight kg	Load class
1000	4D02SLC	②	Channel complete with galvanised press-formed metal sheet grating 12/10 with C-shaped edges	6.85	A 15
	4D02SG1	③	Channel complete with pressure-locked grating with C-shaped edges, 20x2-10x2 33x33, hot-dip galvanised	7.57	
	4D02SG2	④	Channel complete with pressure-locked grating with C-shaped edges, 20x2-10x2 55x11 heelguard mesh, hot-dip galvanised	8.27	C 250
	4D02SG3	⑤	Channel complete with pressure-locked grating with C-shaped edges, 20x2-10x2 33x11 heelguard mesh, hot-dip galvanised	8.84	
	4D02SGS	⑥	Channel complete with 2 x GJS500-7 ductile iron gratings	12.93	D 400
	4D02SGSA	⑦	Channel complete with 2 x GJS500-7 ductile iron heelguard gratings	14.99	
	4D02SP	⑧	Channel complete with embossed metal sheet solid plate Th. 3, reinforced and hot-dip galvanised	15.28	

WITH AISI 304 STAINLESS STEEL PROTECTIVE EDGE RAIL

Channel L. mm	Code	Grating	Description of the channel assembled with the grating complete with accessories	Weight kg	Load class
1000	4D03SLCI	②	Channel complete with AISI 304 stainless steel press-formed metal sheet grating 12/10 with C-shaped edges	6.91	A 15
	4D03SX1	③	Channel complete with pressure-locked grating with edging, 20x2-10x2 33x33, AISI 304 stainless steel	8.58	
	4D03SX2	④	Channel complete with pressure-locked grating with edging, 20x2-10x2 55x11 heelguard mesh, AISI 304 stainless steel	8.83	C 250
	4D03SX3	⑤	Channel complete with pressure-locked grating with edging, 20x2-10x2 33x11 heelguard mesh, AISI 304 stainless steel	8.63	
	4D03SPI	⑧	Channel complete with embossed metal sheet solid plate Th. 3, AISI 304 stainless steel, reinforced	15.28	D 400
	4D03SX4	⑨	Channel complete with pressure-locked grating with edging, 20x3-10x2 25x25, AISI 304 stainless steel	9.39	

Plastic Fly 100 channel accessories



End cap for channels



End caps with outlets



Anchoring kit

Code	Description	Weight kg
4D00TI	End cap made of AISI 304 stainless steel sheet Th. 15/10 for Plastic Fly 100 channel without edge rail	0.48
4D01TI	End cap made of AISI 304 stainless steel sheet Th. 15/10 for Plastic Fly 100 channel with edge rail	0.52
4D00RI	End cap with outlet made of AISI 304 stainless steel sheet Th. 15/10 for Plastic Fly 100 channel without edge rail, Ø89 mm	1.15
4D01RI	End cap with outlet made of AISI 304 stainless steel sheet thickness 15/10 for Plastic Fly 100 channel with edge rail, Ø89 mm	1.23
4D00K	Anchoring kit for galvanised gratings	0.02
4D00V	Anchoring kit for stainless steel and ductile iron gratings, and for galvanised and stainless steel plates	0.02

Plastic Fly 100 channel without grating - Length 1000 mm

Channel L. mm	Code	Description	Water passage mm	Run-off section cm ²	Weight kg	Pieces pallet
1000	4D00S	Plastic Fly 100 ABS channel	100	142	2.21	42
	4D01S	Plastic Fly 100 ABS channel with ABS protective edge rail	100	142	2.46	42
	4D02S	Plastic Fly 100 ABS channel with galvanised protective edge rail	100	142	5.03	42
	4D03S	Plastic Fly 100 ABS channel with AISI 304 stainless steel edge rail	100	142	5.03	42

ABS CHANNELS

PLASTIC FLY 100 WITH THIN COVER

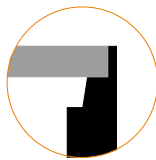
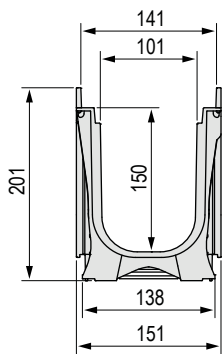
(for channels with ABS, galvanised and stainless steel edge rail)

CENTRAL SLOT

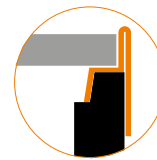
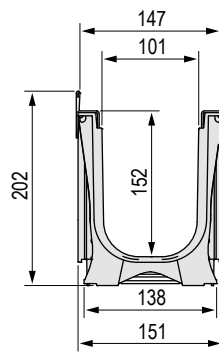
ABS channel with ABS, galvanised and stainless steel edge rails complying with the UNI EN 1433 standard. The channels are sold exclusively in complete pallets and together with the gratings.



Plastic Fly 100 channel dimensions



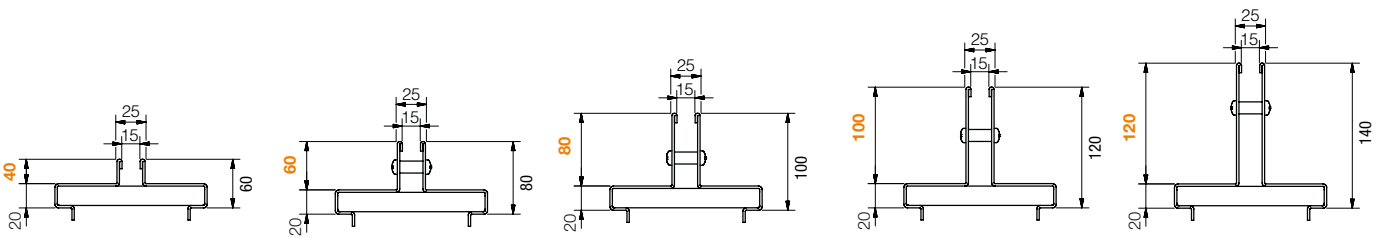
With **ABS** protective edge rail



With protective edge rail **MADE OF GALVANISED STEEL OR AISI 304 STAINLESS STEEL**

Available Thin covers

N.B.: available on request with 10 mm heelguard slot and in AISI 316 stainless steel



Plastic Fly 100 channel without grating - Length 1000

Channel L. mm	Code	Description	Water passage mm	Run-off section cm ²	Weight kg	Pieces pallet
1000	4D01S	Plastic Fly 100 ABS channel with ABS protective edge rail	100	142	2.46	loose
	4D02S	Plastic Fly 100 ABS channel with galvanised protective edge rail	100	142	5.03	loose
	4D03S	Plastic Fly 100 ABS channel with AISI 304 stainless steel edge rail	100	142	5.03	loose



Thin covers with central slot - Slot width 15 mm

GALVANISED

N.B.: the Thin cover is supplied loose

Cover L. mm	Code	Description	Slot height mm	Weight kg	Load class
1000	4G02T0	Thin central cover, hot-dip galvanised, Th. 20/10	40	5.28	C 250
	4G02T	Thin central cover, hot-dip galvanised, Th. 20/10	60	5.91	
	4G02T1	Thin central cover, hot-dip galvanised, Th. 20/10	80	6.54	D 400
	4G02T2	Thin central cover, hot-dip galvanised, Th. 20/10	100	7.17	
	4G02T3	Thin central cover, hot-dip galvanised, Th. 20/10	120	7.29	
500	4G05T0	Thin central cover, hot-dip galvanised, Th. 20/10	40	2.63	C 250
	4G05T	Thin central cover, hot-dip galvanised, Th. 20/10	60	2.95	
	4G05T1	Thin central cover, hot-dip galvanised, Th. 20/10	80	3.27	D 400
	4G05T2	Thin central cover, hot-dip galvanised, Th. 20/10	100	3.58	
	4G05T3	Thin central cover, hot-dip galvanised, Th. 20/10	120	3.90	

AISI 304 STAINLESS STEEL

N.B.: the Thin cover is supplied loose

1000	4G03I0	Thin central cover made of AISI 304 stainless steel Th. 20/10	40	5.28	C 250
	4G03I	Thin central cover made of AISI 304 stainless steel Th. 20/10	60	5.91	
	4G03I1	Thin central cover made of AISI 304 stainless steel Th. 20/10	80	6.54	D 400
	4G03I2	Thin central cover made of AISI 304 stainless steel Th. 20/10	100	7.17	
	4G03I3	Thin central cover made of AISI 304 stainless steel Th. 20/10	120	7.29	
500	4G05I0	Thin central cover made of AISI 304 stainless steel Th. 20/10	40	2.63	C 250
	4G05I	Thin central cover made of AISI 304 stainless steel Th. 20/10	60	2.95	
	4G05I1	Thin central cover made of AISI 304 stainless steel Th. 20/10	80	3.27	D 400
	4G05I2	Thin central cover made of AISI 304 stainless steel Th. 20/10	100	3.58	
	4G05I3	Thin central cover made of AISI 304 stainless steel Th. 20/10	120	3.90	



Inspection buckets for Thin covers with central slot - Slot width 15 mm

GALVANISED

N.B.: the Thin bucket is supplied loose

Bucket L.mm	Code	Description	Slot height mm	Weight kg	Load class
500	4G02V0	Inspection bucket for galvanised Thin central cover	40	3.97	C 250
	4G02V	Inspection bucket for galvanised Thin central cover	60	4.72	
	4G02V1	Inspection bucket for galvanised Thin central cover	80	5.46	D 400
	4G02V2	Inspection bucket for galvanised Thin central cover	100	6.20	
	4G02V3	Inspection bucket for galvanised Thin central cover	120	6.94	

AISI 304 STAINLESS STEEL

N.B.: the Thin bucket is supplied loose

500	4G03V0	Inspection bucket for Thin central cover made of AISI 304 stainless steel	40	3.97	C 250
	4G03V	Inspection bucket for Thin central cover made of AISI 304 stainless steel	60	4.72	
	4G03V1	Inspection bucket for Thin central cover made of AISI 304 stainless steel	80	5.46	D 400
	4G03V2	Inspection bucket for Thin central cover made of AISI 304 stainless steel	100	6.20	
	4G03V3	Inspection bucket for Thin central cover made of AISI 304 stainless steel	120	6.94	



Thin covers accessories



Code	Description
S4505TP5	PVC closure for 15mm thin slit cover, length = 500mm
S4505TP	PVC closure for 15mm thin slit cover, length = 1000mm

ABS CHANNELS

PLASTIC FLY 100 WITH THIN COVER

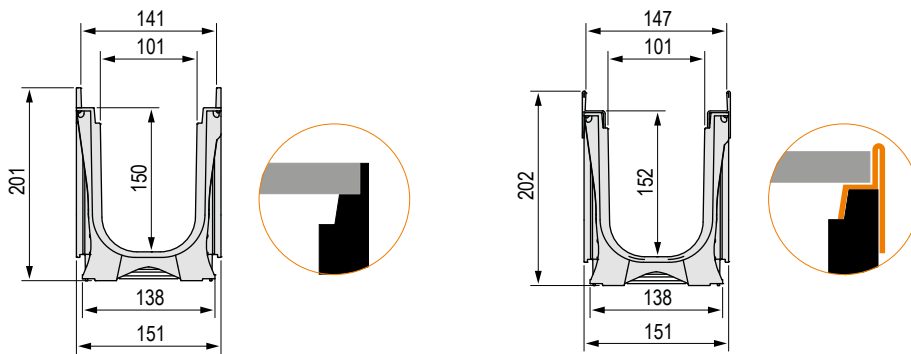
(for channels with ABS, galvanised and stainless steel edge rail)

SIDE SLOT

ABS channel with ABS, galvanised and stainless steel edge rails complying with the UNI EN 1433 standard. The channels are sold exclusively in complete pallets and together with the gratings.



Plastic Fly 100 channel dimensions

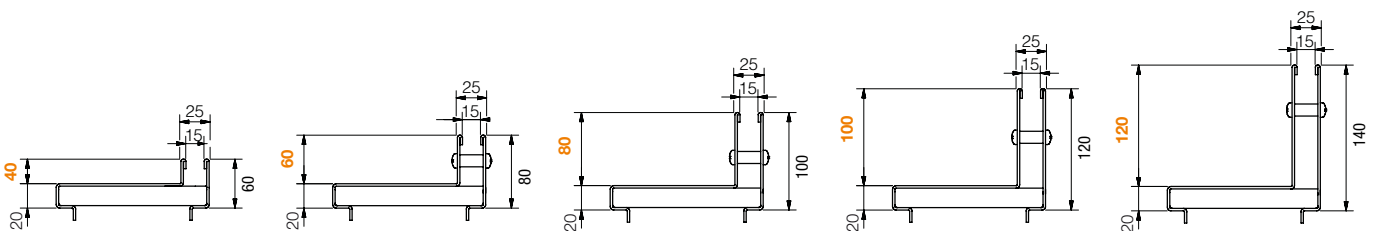


With **ABS** protective edge rail

With protective edge rail **MADE OF GALVANISED STEEL OR AISI 304 STAINLESS STEEL**

Available Thin covers

N.B.: available on request with 10 mm heelguard slot and in AISI 316 stainless steel



Plastic Fly 100 channel without grating - Length 1000

Channel L. mm	Code	Description	Water passage mm	Run-off section cm ²	Weight kg	Pieces pallet
1000	4D01S	Plastic Fly 100 ABS channel with ABS protective edge rail	100	142	2.46	loose
	4D02S	Plastic Fly 100 ABS channel with galvanised protective edge rail	100	142	5.03	loose
	4D03S	Plastic Fly 100 ABS channel with AISI 304 stainless steel edge rail	100	142	5.03	loose



Thin covers with side slot - Slot width 15 mm

GALVANISED

N.B.: the Thin cover is supplied loose

Cover L. mm	Code	Description	Slot height mm	Weight kg	Load class
1000	4G02L0	Thin side cover, hot-dip galvanised, Th. 20/10	40	5.28	C 250
	4G02L	Thin side cover, hot-dip galvanised, Th. 20/10	60	5.91	
	4G02L1	Thin side cover, hot-dip galvanised, Th. 20/10	80	6.54	D 400
	4G02L2	Thin side cover, hot-dip galvanised, Th. 20/10	100	7.17	
	4G02L3	Thin side cover, hot-dip galvanised, Th. 20/10	120	7.29	
500	4G05L0	Thin side cover, hot-dip galvanised, Th. 20/10	40	2.63	C 250
	4G05L	Thin side cover, hot-dip galvanised, Th. 20/10	60	2.95	
	4G05L1	Thin side cover, hot-dip galvanised, Th. 20/10	80	3.27	D 400
	4G05L2	Thin side cover, hot-dip galvanised, Th. 20/10	100	3.58	
	4G05L3	Thin side cover, hot-dip galvanised, Th. 20/10	120	3.90	

AISI 304 STAINLESS STEEL

N.B.: the Thin cover is supplied loose

1000	4G03I0	Thin side cover made of AISI 304 stainless steel Th. 20/10	40	5.28	C 250
	4G03I	Thin side cover made of AISI 304 stainless steel Th. 20/10	60	5.91	
	4G03I1	Thin side cover made of AISI 304 stainless steel Th. 20/10	80	6.54	D 400
	4G03I2	Thin side cover made of AISI 304 stainless steel Th. 20/10	100	7.17	
	4G03I3	Thin side cover made of AISI 304 stainless steel Th. 20/10	120	7.29	
500	4G05I0	Thin side cover made of AISI 304 stainless steel Th. 20/10	40	2.63	C 250
	4G05I	Thin side cover made of AISI 304 stainless steel Th. 20/10	60	2.95	
	4G05I1	Thin side cover made of AISI 304 stainless steel Th. 20/10	80	3.27	D 400
	4G05I2	Thin side cover made of AISI 304 stainless steel Th. 20/10	100	3.58	
	4G05I3	Thin side cover made of AISI 304 stainless steel Th. 20/10	120	3.90	



Inspection buckets for Thin covers with side slot - Slot width 15 mm

GALVANISED

N.B.: the Thin bucket is supplied loose

Bucket L.mm	Code	Description	Slot height mm	Weight kg	Load class
500	4G02VL0	Inspection bucket for galvanised Thin side cover	40	3.97	C 250
	4G02VL	Inspection bucket for galvanised Thin side cover	60	4.72	
	4G02VL1	Inspection bucket for galvanised Thin side cover	80	5.46	D 400
	4G02VL2	Inspection bucket for galvanised Thin side cover	100	6.20	
	4G02VL3	Inspection bucket for galvanised Thin side cover	120	6.94	

AISI 304 STAINLESS STEEL

N.B.: the Thin bucket is supplied loose

500	4G05VL0	Inspection bucket for Thin side cover made of AISI 304 stainless steel	40	3.97	C 250
	4G05VL	Inspection bucket for Thin side cover made of AISI 304 stainless steel	60	4.72	
	4G05VL1	Inspection bucket for Thin side cover made of AISI 304 stainless steel	80	5.46	D 400
	4G05VL2	Inspection bucket for Thin side cover made of AISI 304 stainless steel	100	6.20	
	4G05VL3	Inspection bucket for Thin side cover made of AISI 304 stainless steel	120	6.94	



Thin covers accessories



Code	Description
S4505TP5	PVC closure for 15mm thin slit cover, length = 500mm
S4505TP	PVC closure for 15mm thin slit cover, length = 1000mm

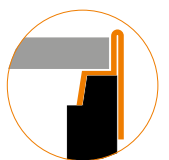
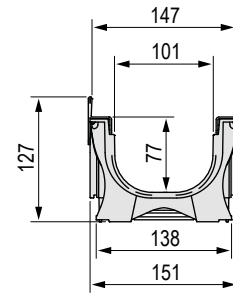
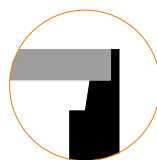
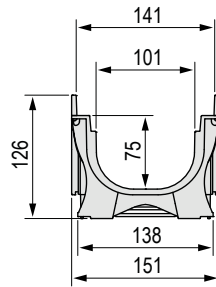
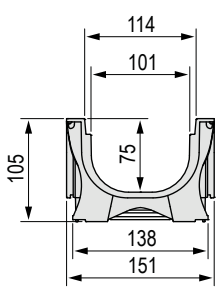
ABS CHANNELS PLASTIC FLY 100 Low

Grating width 150 mm

ABS channel available in various versions for housing the grating: without edge rails, with ABS edge rails or with metal edge rails, complying with the UNI EN 1433 standard. The channels are sold exclusively in complete pallets and together with the gratings.



Dimensions of the Plastic Fly 100 Low channel based on the type of edge rail used



Without protective edge rail
(applicable to code 4DOASLA only)

With ABS protective edge rail

With protective edge rail **MADE OF GALVANISED STEEL OR AISI 304 STAINLESS STEEL**

Available gratings



- ① Self-locking grating with 8 mm slots, galvanised, 12/10
A 15
- ② Grating with 8 mm slots and C-shaped edges, galvanised or stainless steel, 12/10
A 15
- ③ Pressure-locked grating, 33x33 mesh, galvanised or stainless steel
C 250
- ④ Pressure-locked grating, 55x11 heelguard mesh, galvanised or stainless steel
C 250
- ⑤ Pressure-locked grating, 33x11 heelguard mesh, galvanised or stainless steel
C 250
- ⑥ GJS500-7 ductile iron grating
C 250
D 400
- ⑦ GJS500-7 ductile iron heelguard grating
C 250
D 400
- ⑧ Embossed metal sheet plate Th. 3, galvanised or stainless steel
C 250
D 400
- ⑨ AISI 304 stainless steel grating, 25x25 mesh
D 400

Plastic Fly 100 Low channel complete with grating - Length 1000 mm

WITHOUT PROTECTIVE EDGE RAIL

Channel L. mm	Code	Grating	Description of the channel assembled with the grating complete with accessories	Weight kg	Load class
1000	4DOASLA	①	Channel complete with self-locking press-formed metal sheet inlay grating 12/10, galvanised	3.58	A 15

WITH ABS PROTECTIVE EDGE RAIL

Channel L. mm	Code	Grating	Description of the channel assembled with the grating complete with accessories	Weight kg	Load class
1000	4DOBSLC	②	Channel complete with galvanised press-formed metal sheet grating 12/10 with C-shaped edges	3.58	C 250
	4DOBSG1	③	Channel complete with pressure-locked grating with C-shaped edges, 20x2-10x2 33x33, hot-dip galvanised	4.30	
	4DOBSG2	④	Channel complete with pressure-locked grating with C-shaped edges, 20x2-10x2 55x11 heelguard mesh, hot-dip galvanised	5.02	
	4DOBSG3	⑤	Channel complete with pressure-locked grating with C-shaped edges, 20x2-10x2 33x11 heelguard mesh, hot-dip galvanised	5.58	
	4DOBSGS	⑥	Channel complete with 2 x GJS500-7 ductile iron gratings	9.66	
	4DOBSGSA	⑦	Channel complete with 2 x GJS500-7 ductile iron heelguard gratings	11.72	
	4DOBSP	⑧	Channel complete with embossed metal sheet solid plate Th. 3, reinforced and hot-dip galvanised	12.01	

WITH GALVANISED PROTECTIVE EDGE RAIL

Channel L. mm	Code	Grating	Description of the channel assembled with the grating complete with accessories	Weight kg	Load class
1000	4D0CSLC	②	Channel complete with galvanised press-formed metal sheet grating 12/10 with C-shaped edges	6.24	A 15
	4D0CSG1	③	Channel complete with pressure-locked grating with C-shaped edges, 20x2-10x2 33x33, hot-dip galvanised	6.96	
	4D0CSG2	④	Channel complete with pressure-locked grating with C-shaped edges, 20x2-10x2 55x11 heelguard mesh, hot-dip galvanised	7.66	C 250
	4D0CSG3	⑤	Channel complete with pressure-locked grating with C-shaped edges, 20x2-10x2 33x11 heelguard mesh, hot-dip galvanised	8.23	
	4D0CSGS	⑥	Channel complete with 2 x GJS500-7 ductile iron gratings	12.32	
	4D0CSGSA	⑦	Channel complete with 2 x GJS500-7 ductile iron heelguard gratings	14.38	D 400
	4D0CSP	⑧	Channel complete with embossed metal sheet solid plate Th. 3, reinforced and hot-dip galvanised	14.67	

WITH AISI 304 STAINLESS STEEL PROTECTIVE EDGE RAIL

Channel L. mm	Code	Grating	Description of the channel assembled with the grating complete with accessories	Weight kg	Load class
1000	4D0DSLCL	②	Channel complete with AISI 304 stainless steel press-formed metal sheet grating 12/10 with C-shaped edges	6.3	A 15
	4D0DSX1	③	Channel complete with pressure-locked grating with edging, 20x2-10x2 33x33, AISI 304 stainless steel	7.97	
	4D0DSX2	④	Channel complete with pressure-locked grating with edging, 20x2-10x2 55x11 heelguard mesh, AISI 304 stainless steel	8.22	C 250
	4D0DSX3	⑤	Channel complete with pressure-locked grating with edging, 20x2-10x2 33x11 heelguard mesh, AISI 304 stainless steel	8.02	
	4D0DSP1	⑧	Channel complete with embossed metal sheet solid plate Th. 3, AISI 304 stainless steel, reinforced	14.67	
	4D0DSX4	⑨	Channel complete with pressure-locked grating with edging, 20x3-10x2 25x25, AISI 304 stainless steel	8.78	D 400

Plastic Fly 100 Low channel accessories



End cap for channels



End caps with outlets



Anchoring kit

Code	Description	Weight kg
4D0ATI	End cap made of AISI 304 stainless steel sheet Th. 15/10 for Plastic Fly 100 Low channel without edge rail	0.20
4D0BTI	End cap made of AISI 304 stainless steel sheet Th. 15/10 for Plastic Fly 100 Low channel with edge rail	0.32
4D0ARI	End cap with outlet made of AISI 304 stainless steel sheet Th. 15/10 for Plastic Fly 100 Low channel without edge rail, Ø60 mm	0.48
4D0BRI	End cap with outlet made of AISI 304 stainless steel sheet thickness 15/10 for Plastic Fly 100 Low channel with edge rail, Ø89 mm	0.48
4D00K	Anchoring kit for galvanised gratings	0.02
4D00V	Anchoring kit for stainless steel and ductile iron gratings, and for galvanised and stainless steel plates	0.02

Plastic Fly 100 Low channel without grating - Length 1000 mm

Channel L. mm	Code	Description	Water passage mm	Run-off section cm ²	Weight kg	Pieces pallet
1000	4D0AS	Plastic Fly 100 Low ABS channel	100	69	1.6	78
	4D0BS	Plastic Fly 100 Low ABS channel with ABS protective edge rail	100	69	1.76	78
	4D0CS	Plastic Fly 100 Low ABS channel with galvanised protective edge rail	100	69	4.42	78
	4D0DS	Plastic Fly 100 Low ABS channel with AISI 304 stainless steel edge rail	100	69	4.42	78

ABS CHANNELS

PLASTIC FLY 100 Low WITH THIN COVER

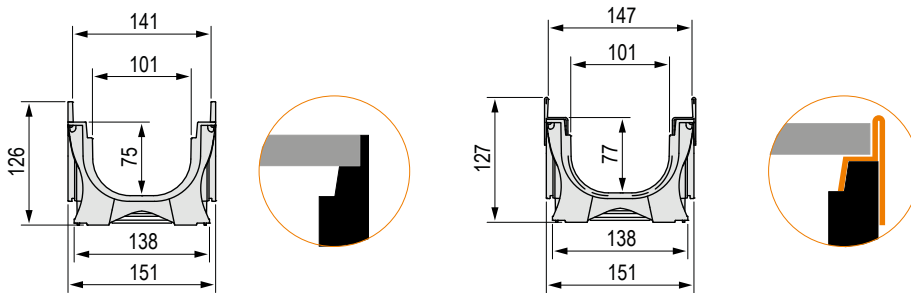
(for channels with ABS, galvanised and stainless steel edge rail)

CENTRAL SLOT

ABS channel with ABS, galvanised and stainless steel edge rails complying with the UNI EN 1433 standard. The channels are sold exclusively in complete pallets and together with the gratings.



Plastic Fly 100 Low channel dimensions

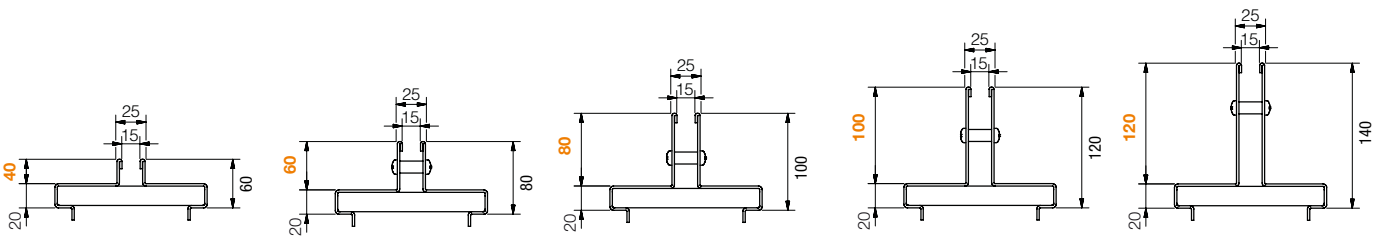


With ABS protective edge rail

With protective edge rail **MADE OF GALVANISED STEEL OR AISI 304 STAINLESS STEEL**

Available Thin covers

N.B.: available on request with 10 mm heelguard slot and in AISI 316 stainless steel



Plastic Fly 100 Low channel without grating - Length 1000

Channel L. mm	Code	Description	Water passage mm	Run-off section cm ²	Weight kg	Pieces pallet
1000	4D0BS	Plastic Fly 100 Low ABS channel with ABS protective edge rail	100	69	1.76	loose
	4D0CS	Plastic Fly 100 Low ABS channel with galvanised protective edge rail	100	69	4.42	loose
	4D0DS	Plastic Fly 100 Low ABS channel with AISI 304 stainless steel edge rail	100	69	4.42	loose



Thin covers with central slot - Slot width 15 mm

GALVANISED

N.B.: the Thin cover is supplied loose

Cover L. mm	Code	Description	Slot height mm	Weight kg	Load class
1000	4G02T0	Thin central cover, hot-dip galvanised, Th. 20/10	40	5.28	C 250
	4G02T	Thin central cover, hot-dip galvanised, Th. 20/10	60	5.91	
	4G02T1	Thin central cover, hot-dip galvanised, Th. 20/10	80	6.54	D 400
	4G02T2	Thin central cover, hot-dip galvanised, Th. 20/10	100	7.17	
	4G02T3	Thin central cover, hot-dip galvanised, Th. 20/10	120	7.29	
500	4G05T0	Thin central cover, hot-dip galvanised, Th. 20/10	40	2.63	C 250
	4G05T	Thin central cover, hot-dip galvanised, Th. 20/10	60	2.95	
	4G05T1	Thin central cover, hot-dip galvanised, Th. 20/10	80	3.27	D 400
	4G05T2	Thin central cover, hot-dip galvanised, Th. 20/10	100	3.58	
	4G05T3	Thin central cover, hot-dip galvanised, Th. 20/10	120	3.90	

AISI 304 STAINLESS STEEL

N.B.: the Thin cover is supplied loose

1000	4G03I0	Thin central cover made of AISI 304 stainless steel Th. 20/10	40	5.28	C 250
	4G03I	Thin central cover made of AISI 304 stainless steel Th. 20/10	60	5.91	
	4G03I1	Thin central cover made of AISI 304 stainless steel Th. 20/10	80	6.54	D 400
	4G03I2	Thin central cover made of AISI 304 stainless steel Th. 20/10	100	7.17	
	4G03I3	Thin central cover made of AISI 304 stainless steel Th. 20/10	120	7.29	
500	4G05I0	Thin central cover made of AISI 304 stainless steel Th. 20/10	40	2.63	C 250
	4G05I	Thin central cover made of AISI 304 stainless steel Th. 20/10	60	2.95	
	4G05I1	Thin central cover made of AISI 304 stainless steel Th. 20/10	80	3.27	D 400
	4G05I2	Thin central cover made of AISI 304 stainless steel Th. 20/10	100	3.58	
	4G05I3	Thin central cover made of AISI 304 stainless steel Th. 20/10	120	3.90	



Inspection buckets for Thin covers with central slot - Slot width 15 mm

GALVANISED

N.B.: the Thin bucket is supplied loose

Bucket L.mm	Code	Description	Slot height mm	Weight kg	Load class
500	4G02V0	Inspection bucket for galvanised Thin central cover	40	3.97	C 250
	4G02V	Inspection bucket for galvanised Thin central cover	60	4.72	
	4G02V1	Inspection bucket for galvanised Thin central cover	80	5.46	D 400
	4G02V2	Inspection bucket for galvanised Thin central cover	100	6.20	
	4G02V3	Inspection bucket for galvanised Thin central cover	120	6.94	

AISI 304 STAINLESS STEEL

N.B.: the Thin bucket is supplied loose

500	4G03V0	Inspection bucket for Thin central cover made of AISI 304 stainless steel	40	3.97	C 250
	4G03V	Inspection bucket for Thin central cover made of AISI 304 stainless steel	60	4.72	
	4G03V1	Inspection bucket for Thin central cover made of AISI 304 stainless steel	80	5.46	D 400
	4G03V2	Inspection bucket for Thin central cover made of AISI 304 stainless steel	100	6.20	
	4G03V3	Inspection bucket for Thin central cover made of AISI 304 stainless steel	120	6.94	



Thin covers accessories



Code	Description
S4505TP5	PVC closure for 15mm thin slit cover, length = 500mm
S4505TP	PVC closure for 15mm thin slit cover, length = 1000mm

ABS CHANNELS

PLASTIC FLY 100 Low WITH THIN COVER

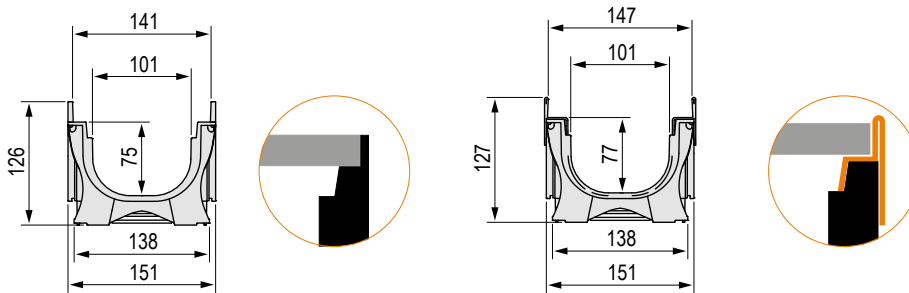
(for channels with ABS, galvanised and stainless steel edge rail)

SIDE SLOT

ABS channel with ABS, galvanised and stainless steel edge rails complying with the UNI EN 1433 standard. The channels are sold exclusively in complete pallets and together with the gratings.



Plastic Fly 100 Low channel dimensions

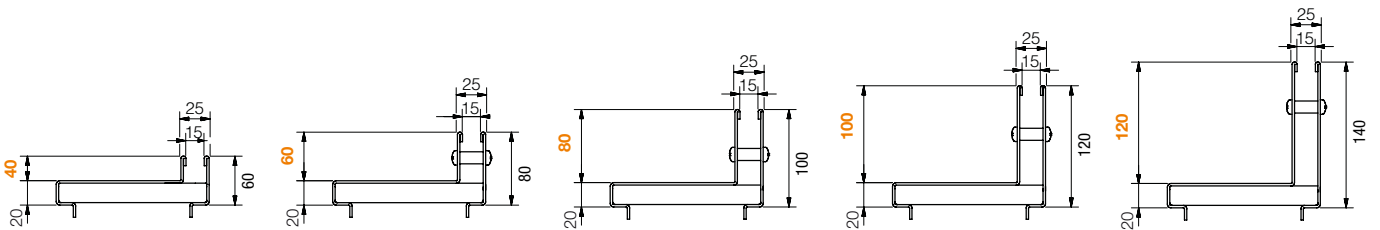


With **ABS** protective edge rail

With protective edge rail **MADE OF GALVANISED STEEL OR AISI 304 STAINLESS STEEL**

Available Thin covers

N.B.: available on request with 10 mm heelguard slot and in AISI 316 stainless steel



Plastic Fly 100 Low channel without grating - Length 1000

Channel L. mm	Code	Description	Water passage mm	Run-off section cm ²	Weight kg	Pieces pallet
1000	4D0BS	Plastic Fly 100 Low ABS channel with ABS protective edge rail	100	69	1.76	loose
	4D0CS	Plastic Fly 100 Low ABS channel with galvanised protective edge rail	100	69	4.42	loose
	4D0DS	Plastic Fly 100 Low ABS channel with AISI 304 stainless steel edge rail	100	69	4.42	loose



Thin covers with side slot - Slot width 15 mm

GALVANISED

N.B.: the Thin cover is supplied loose

Cover L. mm	Code	Description	Slot height mm	Weight kg	Load class
1000	4G02L0	Thin side cover, hot-dip galvanised, Th. 20/10	40	5.28	C 250
	4G02L	Thin side cover, hot-dip galvanised, Th. 20/10	60	5.91	
	4G02L1	Thin side cover, hot-dip galvanised, Th. 20/10	80	6.54	D 400
	4G02L2	Thin side cover, hot-dip galvanised, Th. 20/10	100	7.17	
	4G02L3	Thin side cover, hot-dip galvanised, Th. 20/10	120	7.29	
500	4G05L0	Thin side cover, hot-dip galvanised, Th. 20/10	40	2.63	C 250
	4G05L	Thin side cover, hot-dip galvanised, Th. 20/10	60	2.95	
	4G05L1	Thin side cover, hot-dip galvanised, Th. 20/10	80	3.27	D 400
	4G05L2	Thin side cover, hot-dip galvanised, Th. 20/10	100	3.58	
	4G05L3	Thin side cover, hot-dip galvanised, Th. 20/10	120	3.90	

AISI 304 STAINLESS STEEL

N.B.: the Thin cover is supplied loose

1000	4G03I0	Thin side cover made of AISI 304 stainless steel Th. 20/10	40	5.28	C 250
	4G03I	Thin side cover made of AISI 304 stainless steel Th. 20/10	60	5.91	
	4G03I1	Thin side cover made of AISI 304 stainless steel Th. 20/10	80	6.54	D 400
	4G03I2	Thin side cover made of AISI 304 stainless steel Th. 20/10	100	7.17	
	4G03I3	Thin side cover made of AISI 304 stainless steel Th. 20/10	120	7.29	
500	4G05I0	Thin side cover made of AISI 304 stainless steel Th. 20/10	40	2.63	C 250
	4G05I	Thin side cover made of AISI 304 stainless steel Th. 20/10	60	2.95	
	4G05I1	Thin side cover made of AISI 304 stainless steel Th. 20/10	80	3.27	D 400
	4G05I2	Thin side cover made of AISI 304 stainless steel Th. 20/10	100	3.58	
	4G05I3	Thin side cover made of AISI 304 stainless steel Th. 20/10	120	3.90	



Inspection buckets for Thin covers with side slot - Slot width 15 mm

GALVANISED

N.B.: the Thin bucket is supplied loose

Bucket L.mm	Code	Description	Slot height mm	Weight kg	Load class
500	4G02VL0	Inspection bucket for galvanised Thin side cover	40	3.97	C 250
	4G02VL	Inspection bucket for galvanised Thin side cover	60	4.72	
	4G02VL1	Inspection bucket for galvanised Thin side cover	80	5.46	D 400
	4G02VL2	Inspection bucket for galvanised Thin side cover	100	6.20	
	4G02VL3	Inspection bucket for galvanised Thin side cover	120	6.94	

AISI 304 STAINLESS STEEL

N.B.: the Thin bucket is supplied loose

500	4G05VL0	Inspection bucket for Thin side cover made of AISI 304 stainless steel	40	3.97	C 250
	4G05VL	Inspection bucket for Thin side cover made of AISI 304 stainless steel	60	4.72	
	4G05VL1	Inspection bucket for Thin side cover made of AISI 304 stainless steel	80	5.46	D 400
	4G05VL2	Inspection bucket for Thin side cover made of AISI 304 stainless steel	100	6.20	
	4G05VL3	Inspection bucket for Thin side cover made of AISI 304 stainless steel	120	6.94	



Thin covers accessories



Code	Description
S4505TP5	PVC closure for 15mm thin slit cover, length = 500mm
S4505TP	PVC closure for 15mm thin slit cover, length = 1000mm

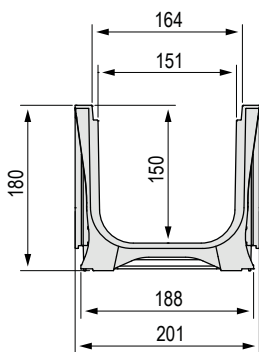
ABS CHANNELS PLASTIC FLY 150

Grating width 200 mm

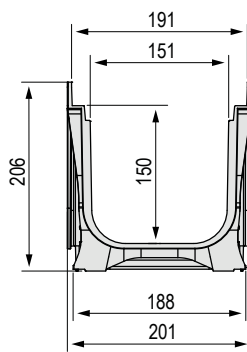
ABS channel available in various versions for housing the grating: without edge rails, with ABS edge rails or with metal edge rails, complying with the UNI EN 1433 standard. The channels are sold exclusively in complete pallets and together with the gratings.



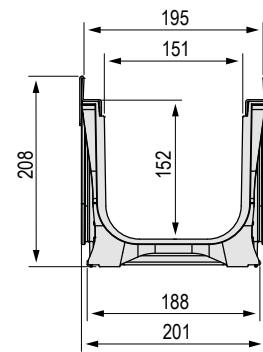
Dimensions of the Plastic Fly 150 channel based on the type of edge rail used



Without protective edge rail
(applicable to code 4D10SLA only)

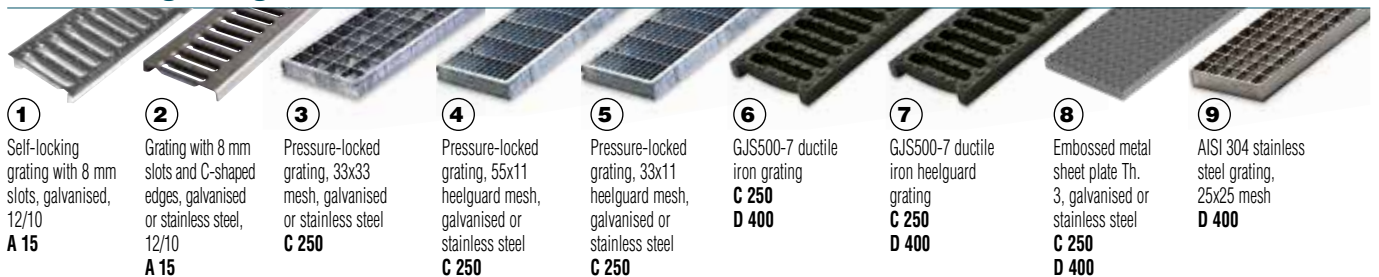


With ABS protective edge rail



With protective edge rail **MADE OF GALVANISED STEEL OR AISI 304 STAINLESS STEEL**

Available gratings



① Self-locking grating with 8 mm slots and C-shaped edges, galvanised, 12/10
A 15

② Grating with 8 mm slots and C-shaped edges, galvanised or stainless steel, 12/10
A 15

③ Pressure-locked grating, 33x33 mesh, galvanised or stainless steel
C 250

④ Pressure-locked grating, 55x11 heelguard mesh, galvanised or stainless steel
C 250

⑤ Pressure-locked grating, 33x11 heelguard mesh, galvanised or stainless steel
C 250

⑥ GJS500-7 ductile iron grating
C 250
D 400

⑦ GJS500-7 ductile iron heelguard grating
C 250
D 400

⑧ Embossed metal sheet plate Th. 3, galvanised or stainless steel
C 250
D 400

⑨ AISI 304 stainless steel grating, 25x25 mesh
D 400

Plastic Fly 150 channel complete with grating - Length 1000 mm

WITHOUT PROTECTIVE EDGE RAIL

Channel L. mm	Code	Grating	Description of the channel assembled with the grating complete with accessories	Weight kg	Load class
1000	4D10SLA	①	Channel complete with self-locking press-formed metal sheet inlay grating 12/10, galvanised	4.88	A 15

WITH ABS PROTECTIVE EDGE RAIL

Channel L. mm	Code	Grating	Description of the channel assembled with the grating complete with accessories	Weight kg	Load class
1000	4D11SLC	②	Channel complete with galvanised press-formed metal sheet grating 12/10 with C-shaped edges	5.00	A 15
	4D11SG1	③	Channel complete with pressure-locked grating with C-shaped edges, 25x2-10x2 33x33, hot-dip galvanised	6.55	C 250
	4D11SG2	④	Channel complete with pressure-locked grating with C-shaped edges, 25x2-10x2 55x11 heelguard mesh, hot-dip galvanised	7.18	
	4D11SG3	⑤	Channel complete with pressure-locked grating with C-shaped edges, 25x2-10x2 33x11 heelguard mesh, hot-dip galvanised	8.14	
	4D11SGS	⑥	Channel complete with 2 x GJS500-7 ductile iron gratings	18.52	
	4D11SGSA	⑦	Channel complete with 2 x GJS500-7 ductile iron heelguard gratings	20.98	
	4D11SP	⑧	Channel complete with embossed metal sheet solid plate Th. 3, reinforced and hot-dip galvanised	19.39	

WITH GALVANISED PROTECTIVE EDGE RAIL

Channel L. mm	Code	Grating	Description of the channel assembled with the grating complete with accessories	Weight kg	Load class
1000	4D12SLC	②	Channel complete with galvanised press-formed metal sheet grating 12/10 with C-shaped edges	7.64	A 15
	4D12SG1	③	Channel complete with pressure-locked grating with C-shaped edges, 25x2-10x2 33x33, hot-dip galvanised	9.19	C 250
	4D12SG2	④	Channel complete with pressure-locked grating with C-shaped edges, 25x2-10x2 55x11 heelguard mesh, hot-dip galvanised	9.82	
	4D12SG3	⑤	Channel complete with pressure-locked grating with C-shaped edges, 25x2-10x2 33x11 heelguard mesh, hot-dip galvanised	10.78	
	4D12SGS	⑥	Channel complete with 2 x GJS500-7 ductile iron gratings	21.16	D 400
	4D12SGSA	⑦	Channel complete with 2 x GJS500-7 ductile iron heelguard gratings	23.62	
	4D12SP	⑧	Channel complete with embossed metal sheet solid plate Th. 3, reinforced and hot-dip galvanised	22.03	

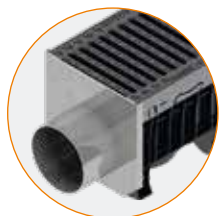
WITH AISI 304 STAINLESS STEEL PROTECTIVE EDGE RAIL

Channel L. mm	Code	Grating	Description of the channel assembled with the grating complete with accessories	Weight kg	Load class
1000	4D13SLCI	②	Channel complete with AISI 304 stainless steel press-formed metal sheet grating 12/10 with C-shaped edges	7.64	A 15
	4D13SX1	③	Channel complete with pressure-locked grating with edging, 25x2-10x2 33x33, AISI 304 stainless steel	9.46	C 250
	4D13SX2	④	Channel complete with pressure-locked grating with edging, 25x2-10x2 55x11 heelguard mesh, AISI 304 stainless steel	10.06	
	4D13SX3	⑤	Channel complete with pressure-locked grating with edging, 25x2-10x2 33x11 heelguard mesh, AISI 304 stainless steel	10.96	
	4D13SPI	⑧	Channel complete with embossed metal sheet solid plate Th. 3, AISI 304 stainless steel, reinforced	22.03	D 400
	4D13SX4	⑨	Channel complete with pressure-locked grating with edging, 25x3-10x2 25x25, AISI 304 stainless steel	11.86	

Plastic Fly 150 channel accessories



End cap for channels



End caps with outlets



Anchoring kit

Code	Description	Weight kg
4D10TI	End cap made of AISI 304 stainless steel sheet Th. 15/10 for Plastic Fly 150 channel without edge rail	1.12
4D11TI	End cap made of AISI 304 stainless steel sheet Th. 15/10 for Plastic Fly 150 channel with edge rail	1.18
4D10RI	End cap with outlet made of AISI 304 stainless steel sheet Th. 15/10 for Plastic Fly 150 channel without edge rail, Ø108 mm	1.85
4D11RI	End cap with outlet made of AISI 304 stainless steel sheet thickness 15/10 for Plastic Fly 150 channel with edge rail, Ø147 mm	1.93
4D10K	Anchoring kit for galvanised gratings	0.02
4D10V	Anchoring kit for stainless steel and ductile iron gratings, and for galvanised and stainless steel plates	0.02

Plastic Fly 150 channel without grating - Length 1000 mm

Channel L. mm	Code	Description	Water passage mm	Run-off section cm ²	Weight kg	Pieces pallet
1000	4D10S	Plastic Fly 150 ABS channel	150	216	2.44	35
	4D11S	Plastic Fly 150 ABS channel with ABS protective edge rail	150	216	2.62	35
	4D12S	Plastic Fly 150 ABS channel with galvanised protective edge rail	150	216	5.26	35
	4D13S	Plastic Fly 150 ABS channel with AISI 304 stainless steel edge rail	150	216	5.26	35

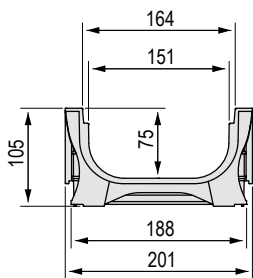
ABS CHANNELS PLASTIC FLY 150 Low

Grating width 200 mm

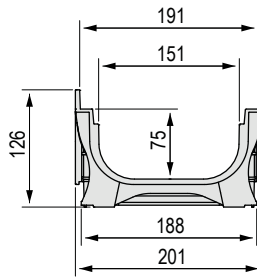
ABS channel available in various versions for housing the grating: without edge rails, with ABS edge rails or with metal edge rails, complying with the UNI EN 1433 standard. The channels are sold exclusively in complete pallets and together with the gratings.



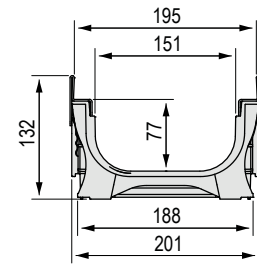
Dimensions of the Plastic Fly 150 Low channel based on the type of edge rail used



Without protective edge rail
(applicable to code 4D1ASLA only)

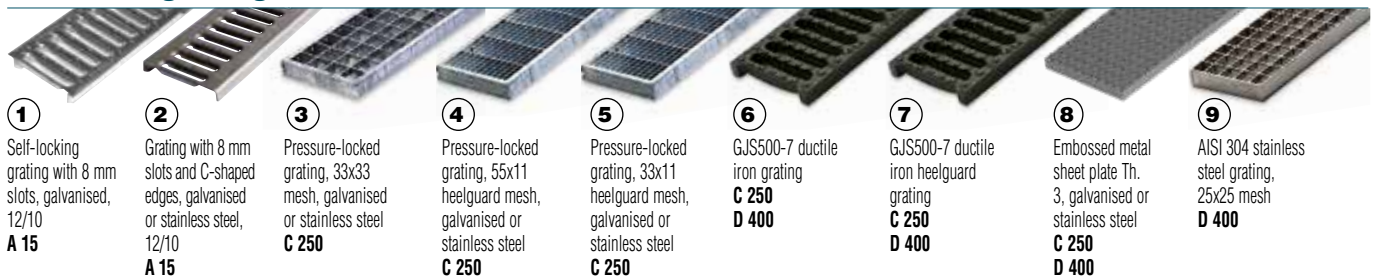


With ABS protective edge rail



With protective edge rail MADE OF GALVANISED STEEL OR AISI 304 STAINLESS STEEL

Available gratings



① Self-locking grating with 8 mm slots, galvanised, 12/10
A 15

② Grating with 8 mm slots and C-shaped edges, galvanised or stainless steel, 12/10
A 15

③ Pressure-locked grating, 33x33 mesh, galvanised or stainless steel
C 250

④ Pressure-locked grating, 55x11 heelguard mesh, galvanised or stainless steel
C 250

⑤ Pressure-locked grating, 33x11 heelguard mesh, galvanised or stainless steel
C 250

⑥ GJS500-7 ductile iron grating
C 250
D 400

⑦ GJS500-7 ductile iron heelguard grating
C 250
D 400

⑧ Embossed metal sheet plate Th. 3, galvanised or stainless steel
C 250
D 400

⑨ AISI 304 stainless steel grating, 25x25 mesh
D 400

Plastic Fly 150 Low channel complete with grating - Length 1000 mm

WITHOUT PROTECTIVE EDGE RAIL

Channel L. mm	Code	Grating	Description of the channel assembled with the grating complete with accessories	Weight kg	Load class
1000	4D1ASLA	①	Channel complete with self-locking press-formed metal sheet inlay grating 12/10, galvanised	4.21	A 15

WITH ABS PROTECTIVE EDGE RAIL

Channel L. mm	Code	Grating	Description of the channel assembled with the grating complete with accessories	Weight kg	Load class
1000	4D1BSLC	②	Channel complete with galvanised press-formed metal sheet grating 12/10 with C-shaped edges	4.31	C 250
	4D1BSG1	③	Channel complete with pressure-locked grating with C-shaped edges, 25x2-10x2 33x33, hot-dip galvanised	5.86	
	4D1BSG2	④	Channel complete with pressure-locked grating with C-shaped edges, 25x2-10x2 55x11 heelguard mesh, hot-dip galvanised	6.49	
	4D1BSG3	⑤	Channel complete with pressure-locked grating with C-shaped edges, 25x2-10x2 33x11 heelguard mesh, hot-dip galvanised	7.45	
	4D1BSGS	⑥	Channel complete with 2 x GJS500-7 ductile iron gratings	17.83	
	4D1BSGSA	⑦	Channel complete with 2 x GJS500-7 ductile iron heelguard gratings	20.29	
	4D1BSP	⑧	Channel complete with embossed metal sheet solid plate Th. 3, reinforced and hot-dip galvanised	18.7	

WITH GALVANISED PROTECTIVE EDGE RAIL

Channel L. mm	Code	Grating	Description of the channel assembled with the grating complete with accessories	Weight kg	Load class
1000	4D1CSLC	②	Channel complete with galvanised press-formed metal sheet grating 12/10 with C-shaped edges	6.97	A 15
	4D1CSG1	③	Channel complete with pressure-locked grating with C-shaped edges, 25x2-10x2 33x33, hot-dip galvanised	8.52	C 250
	4D1CSG2	④	Channel complete with pressure-locked grating with C-shaped edges, 25x2-10x2 55x11 heelguard mesh, hot-dip galvanised	9.15	
	4D1CSG3	⑤	Channel complete with pressure-locked grating with C-shaped edges, 25x2-10x2 33x11 heelguard mesh, hot-dip galvanised	10.11	
	4D1CSGS	⑥	Channel complete with 2 x GJS500-7 ductile iron gratings	20.49	D 400
	4D1CSGSA	⑦	Channel complete with 2 x GJS500-7 ductile iron heelguard gratings	22.95	
	4D1CSP	⑧	Channel complete with embossed metal sheet solid plate Th. 3, AISI 304 stainless steel, reinforced	21.36	

WITH AISI 304 STAINLESS STEEL PROTECTIVE EDGE RAIL

Channel L. mm	Code	Grating	Description of the channel assembled with the grating complete with accessories	Weight kg	Load class
1000	4D1DSLCL	②	Channel complete with AISI 304 stainless steel press-formed metal sheet grating 12/10 with C-shaped edges	6.97	A 15
	4D1DSX1	③	Channel complete with pressure-locked grating with edging, 25x2-10x2 33x33, AISI 304 stainless steel	8.79	C 250
	4D1DSX2	④	Channel complete with pressure-locked grating with edging, 25x2-10x2 55x11 heelguard mesh, AISI 304 stainless steel	9.39	
	4D1DSX3	⑤	Channel complete with pressure-locked grating with edging, 25x2-10x2 33x11 heelguard mesh, AISI 304 stainless steel	10.29	
	4D1DSP1	⑧	Channel complete with embossed metal sheet solid plate Th. 3, AISI 304 stainless steel, reinforced	21.36	D 400
	4D1DSX4	⑨	Channel complete with pressure-locked grating with edging, 25x3-10x2 25x25, AISI 304 stainless steel	21.36	

Plastic Fly 150 Low channel accessories



End cap for channels



End caps with outlets



Anchoring kit

Code	Description	Weight kg
4D1ATI	End cap made of AISI 304 stainless steel sheet Th. 15/10 for Plastic Fly 150 Low channel without edge rail	1.08
4D1BTI	End cap made of AISI 304 stainless steel sheet Th. 15/10 for Plastic Fly 150 Low channel with edge rail	1.15
4D1ARI	End cap with outlet made of AISI 304 stainless steel sheet Th. 15/10 for Plastic Fly 150 Low channel without edge rail, Ø60 mm	1.74
4D1BRI	End cap with outlet made of AISI 304 stainless steel sheet thickness 15/10 for Plastic Fly 150 Low channel with edge rail, Ø89 mm	1.83
4D10K	Anchoring kit for galvanised gratings	0.02
4D10V	Anchoring kit for stainless steel and ductile iron gratings, and for galvanised and stainless steel plates	0.02

Plastic Fly 150 Low channel without grating - Length 1000 mm

Channel L. mm	Code	Description	Water passage mm	Run-off section cm ²	Weight kg	Pieces pallet
1000	4D1AS	Plastic Fly 150 Low ABS channel	150	106	1.77	55
	4D1BS	Plastic Fly 150 Low ABS channel with ABS protective edge rail	150	106	1.93	55
	4D1CS	Plastic Fly 150 Low ABS channel with galvanised protective edge rail	150	106	4.59	55
	4D1DS	Plastic Fly 150 Low ABS channel with AISI 304 stainless steel edge rail	150	106	4.59	55

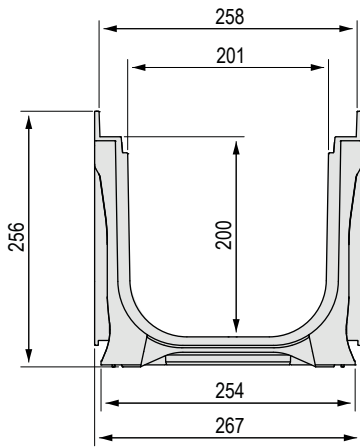
ABS CHANNELS PLASTIC FLY 200

Grating width 250 mm

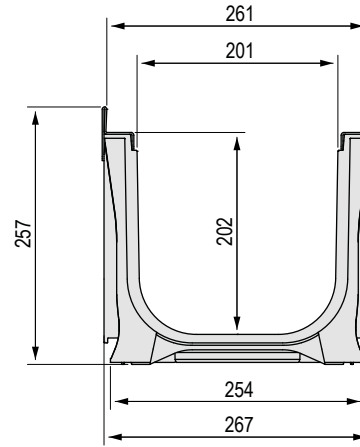
ABS channel available in various versions for housing the grating: without edge rails, with ABS edge rails or with metal edge rails, complying with the UNI EN 1433 standard. The channels are sold exclusively in complete pallets and together with the gratings.



Dimensions of the Plastic Fly 200 channel based on the type of edge rail used


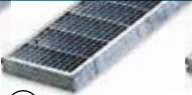


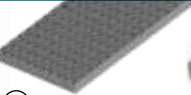



With **ABS** protective edge rail



With protective edge rail **MADE OF GALVANISED STEEL OR AISI 304 STAINLESS STEEL**

Available gratings

						
1	2	3	4	5	6	7
Pressure-locked grating, 33x33 mesh, galvanised or stainless steel C 250	Pressure-locked grating, 55x11 heelguard mesh, galvanised or stainless steel C 250	Pressure-locked grating, 33x11 heelguard mesh, galvanised or stainless steel C 250	GJS500-7 ductile iron grating C 250 D 400	GJS500-7 ductile iron heelguard grating C 250 D 400	Embossed metal sheet plate Th. 3, galvanised or stainless steel C 250 D 400	AISI 304 stainless steel grating, 25x25 mesh D 400

Plastic Fly 200 channel complete with grating - Length 1000 mm

WITH ABS PROTECTIVE EDGE RAIL

Channel L. mm	Code	Grating	Description of the channel assembled with the grating complete with accessories	Weight kg	Load class
1000	4D21SG1	1	Channel complete with pressure-locked grating with C-shaped edges, 25x2-10x2 33x33, hot-dip galvanised	10.12	C 250
	4D21SG2	2	Channel complete with pressure-locked grating with C-shaped edges, 25x2-10x2 55x11 heelguard mesh, hot-dip galvanised	11.05	
	4D21SG3	3	Channel complete with pressure-locked grating with C-shaped edges, 25x2-10x2 33x11 heelguard mesh, hot-dip galvanised	12.34	
	4D21SGS	4	Channel complete with 2 x GJS500-7 ductile iron gratings	27.86	
	4D21SGSA	5	Channel complete with 2 x GJS500-7 ductile iron heelguard gratings	29.74	
	4D21SP	6	Channel complete with embossed metal sheet solid plate Th. 3, reinforced and hot-dip galvanised	29.53	

WITH GALVANISED PROTECTIVE EDGE RAIL

Channel L. mm	Code	Grating	Description of the channel assembled with the grating complete with accessories	Weight kg	Load class
1000	4D22SG1	①	Channel complete with pressure-locked grating with C-shaped edges, 25x2-10x2 33x33, hot-dip galvanised	12.75	C 250
	4D22SG2	②	Channel complete with pressure-locked grating with C-shaped edges, 25x2-10x2 55x11 heelguard mesh, hot-dip galvanised	13.68	
	4D22SG3	③	Channel complete with pressure-locked grating with C-shaped edges, 25x2-10x2 33x11 heelguard mesh, hot-dip galvanised	14.97	
	4D22SGS	④	Channel complete with GJS500-7 ductile iron gratings	30.49	D 400
	4D22SGSA	⑤	Channel complete with GJS500-7 ductile iron heelguard gratings	32.37	
	4D22SP	⑥	Channel complete with embossed metal sheet solid plate Th. 3, reinforced and hot-dip galvanised	32.16	

WITH AISI 304 STAINLESS STEEL PROTECTIVE EDGE RAIL

Channel L. mm	Code	Grating	Description of the channel assembled with the grating complete with accessories	Weight kg	Load class
1000	4D23SX1	①	Channel complete with pressure-locked grating with edging, 25x2-10x2 33x33, AISI 304 stainless steel	12.99	C 250
	4D23SX2	②	Channel complete with pressure-locked grating with edging, 25x2-10x2 55x11 heelguard mesh, AISI 304 stainless steel	13.79	
	4D23SX3	③	Channel complete with pressure-locked grating with edging, 25x2-10x2 33x11 heelguard mesh, AISI 304 stainless steel	14.99	
	4D23SPI	⑥	Channel complete with embossed metal sheet solid plate Th. 3, AISI 304 stainless steel, reinforced	33.32	D 400
	4D23SX4	⑦	Channel complete with pressure-locked grating with edging, 25x3-10x2 25x25, AISI 304 stainless steel	16.19	

Plastic Fly 200 channel accessories



End cap for channels



End caps with outlets



Anchoring kit

Code	Description	Weight kg
4D21TI	End cap made of AISI 304 stainless steel sheet Th. 15/10 for Plastic Fly 200 channel with edge rail	1.08
4D21RI	End cap with outlet made of AISI 304 stainless steel sheet thickness 15/10 for Plastic Fly 200 channel with edge rail, Ø168 mm	2.15
4D20K	Anchoring kit for galvanised gratings	0.02
4D20V	Anchoring kit for stainless steel and ductile iron gratings, and for galvanised and stainless steel plates	0.02

Plastic Fly 200 channel without grating - Length 1000 mm

Channel L. mm	Code	Description	Water passage mm	Run-off section cm ²	Weight kg	Pieces pallet
1000	4D21S	Plastic Fly 200 ABS channel with ABS protective edge rail	200	381	5.02	24
	4D22S	Plastic Fly 200 ABS channel with galvanised protective edge rail	200	381	7.65	24
	4D23S	Plastic Fly 200 ABS channel with AISI 304 stainless steel edge rail	200	381	7.69	24

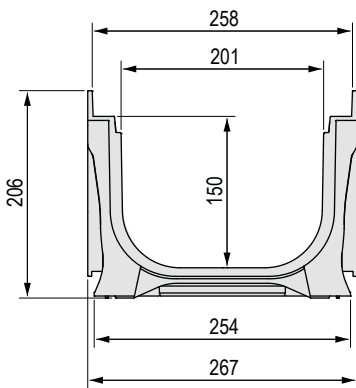
ABS CHANNELS PLASTIC FLY 200 Low

Grating width 250 mm

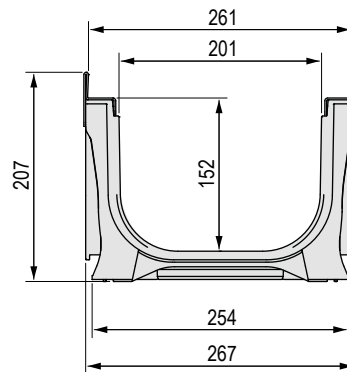
ABS channel available in various versions for housing the grating: without edge rails, with ABS edge rails or with metal edge rails, complying with the UNI EN 1433 standard. The channels are sold exclusively in complete pallets and together with the gratings.



Dimensions of the Plastic Fly 200 Low channel based on the type of edge rail used










With **ABS** protective edge rail



With protective edge rail **MADE OF GALVANISED STEEL OR STAINLESS STEEL**

Available gratings

						
1 Pressure-locked grating, 33x33 mesh, galvanised or stainless steel C 250	2 Pressure-locked grating, 55x11 heelguard mesh, galvanised or stainless steel C 250	3 Pressure-locked grating, 33x11 heelguard mesh, galvanised or stainless steel C 250	4 GJS500-7 ductile iron grating C 250 D 400	5 GJS500-7 ductile iron heelguard grating C 250 D 400	6 Embossed metal sheet plate Th. 3, galvanised or stainless steel C 250 D 400	7 AISI 304 stainless steel grating, 25x25 mesh D 400

Plastic Fly 200 Low channel complete with grating - Length 1000 mm WITH ABS PROTECTIVE EDGE RAIL

Channel L. mm	Code	Grating	Description of the channel assembled with the grating complete with accessories	Weight kg	Load class
1000	4D2BSG1	1	Channel complete with pressure-locked grating with C-shaped edges, 25x2-10x2 33x33, hot-dip galvanised	8.77	C 250
	4D2BSG2	2	Channel complete with pressure-locked grating with C-shaped edges, 25x2-10x2 55x11 heelguard mesh, hot-dip galvanised	9.70	
	4D2BSG3	3	Channel complete with pressure-locked grating with C-shaped edges, 25x2-10x2 33x11 heelguard mesh, hot-dip galvanised	10.99	
	4D2BSGS	4	Channel complete with 2 x GJS500-7 ductile iron gratings	26.51	
	4D2BSGSA	5	Channel complete with 2 x GJS500-7 ductile iron heelguard gratings	28.39	
	4D2BSP	6	Channel complete with embossed metal sheet solid plate Th. 3, reinforced and hot-dip galvanised	28.18	

WITH GALVANISED PROTECTIVE EDGE RAIL

Channel L. mm	Code	Grating	Description of the channel assembled with the grating complete with accessories	Weight kg	Load class
1000	4D2CSG1	①	Channel complete with pressure-locked grating with C-shaped edges, 25x2-10x2 33x33, hot-dip galvanised	11.43	C 250
	4D2CSG2	②	Channel complete with pressure-locked grating with C-shaped edges, 25x2-10x2 55x11 heelguard mesh, hot-dip galvanised	12.63	
	4D2CSG3	③	Channel complete with pressure-locked grating with C-shaped edges, 25x2-10x2 33x11 heelguard mesh, hot-dip galvanised	13.65	
	4D2CSGS	④	Channel complete with 2 x GJS500-7 ductile iron gratings	29.17	D 400
	4D2CSGSA	⑤	Channel complete with 2 x GJS500-7 ductile iron heelguard gratings	31.06	
	4D2CSP	⑥	Channel complete with embossed metal sheet solid plate Th. 3, reinforced and hot-dip galvanised	30.84	

WITH AISI 304 STAINLESS STEEL PROTECTIVE EDGE RAIL

Channel L. mm	Code	Grating	Description of the channel assembled with the grating complete with accessories	Weight kg	Load class
1000	4D2DSX1	①	Channel complete with pressure-locked grating with edging, 25x2-10x2 33x33, AISI 304 stainless steel	11.63	C 250
	4D2DSX2	②	Channel complete with pressure-locked grating with edging, 25x2-10x2 55x11 heelguard mesh, AISI 304 stainless steel	12.43	
	4D2DSX3	③	Channel complete with pressure-locked grating with edging, 25x2-10x2 33x11 heelguard mesh, AISI 304 stainless steel	13.63	
	4D2DSPI	⑥	Channel complete with embossed metal sheet solid plate Th. 3, AISI 304 stainless steel, reinforced	30.84	D 400
	4D2DSX4	⑦	Channel complete with pressure-locked grating with edging, 25x3-10x2 25x25, AISI 304 stainless steel	14.83	

Plastic Fly 200 Low channel accessories



End cap for channels



End caps with outlets



Anchoring kit

Code	Description	Weight kg
4D2BTI	End cap made of AISI 304 stainless steel sheet Th. 15/10 for Plastic Fly 200 Low channel with edge rail	1.08
4D2BRI	End cap with outlet made of AISI 304 stainless steel sheet thickness 15/10 for Plastic Fly 200 Low channel with edge rail, Ø147 mm	1.74
4D20K	Anchoring kit for galvanised gratings	0.02
4D20V	Anchoring kit for stainless steel and ductile iron gratings, and for galvanised and stainless steel plates	0.02

Plastic Fly 200 Low channel without grating - Length 1000 mm

Channel L. mm	Code	Description	Water passage mm	Run-off section cm ²	Weight kg	Pieces pallet
1000	4D2BS	Plastic Fly 200 Low ABS channel with ABS protective edge rail	200	283	3.67	32
	4D2CS	Plastic Fly 200 Low ABS channel with galvanised protective edge rail	200	283	6.34	32
	4D2DS	Plastic Fly 200 Low ABS channel with AISI 304 stainless steel edge rail	200	283	6.34	32

