

# STAINLESS STEEL SPECIAL PRODUCTS

- **PRESSED GRATINGS**
- **FISSURE DRAIN CHANNELS**
- **BOX DRAIN CHANNELS WITH SLOPE**
- **FLOOR DRAINS**
- **MANHOLES**



31010 Mareno di Piave (TV) Italia  
Via E. Fermi (Z.I. Ramera)  
Tel. +39.0438.492.502.r.a.  
Fax +39.0438.492.545

mail: [info@gridiron.it](mailto:info@gridiron.it)  
[www.gridiron.it](http://www.gridiron.it)

Lever Plan





**GRIDIRON**  
GRIGLIATI TECNICI



# STAINLESS STEEL SPECIAL PRODUCTS

## ENDURING OVER TIME

Thanks to its mechanical and corrosion resistant properties, stainless steel allows components to be manufactured that are able to **last despite being subjected to occasionally extreme environmental conditions.**

Its pleasant aesthetic aspect and changelessness over time allow stainless steel to be used wherever hygiene has to be constantly ensured

This is the reason why GRIDIRON has decided to manufacture **standard and custom sized stainless steel banded gratings, fissure drain channels, box drain channels and floor drains, which items have been conceived with special care and manufactured with high quality finishes.** This special range of products is particularly suited to use in industrial sectors, such as petroleum/petrochemical, mining, food and the pharmaceutical industry.

## GENERAL INDEX

- **BANDED PRESSURE-LOCKED GRATINGS** page 8
  - standard
  - custom sized
- **STAINLESS STEEL FISSURE DRAIN CHANNELS** page 19
  - standard
  - custom sized
- **STAINLESS STEEL BOX DRAIN CHANNELS WITH SLOPE** page 29
  - rectangular stainless steel box drain channels
  - stainless steel square box drain channels
  - stainless steel rectangular box drain channels
- **STAINLESS STEEL RECTANGULAR BOX DRAIN CHANNELS** page 43
  - standard
  - special
- **MANHOLES** page 51
  - h 30 mm with knob
  - h 50 mm with knob and handle

1

2

3

4

5





**GRIDIRON**<sup>®</sup>  
GRIGLIATI TECNICI

**GRIDIRON**<sup>®</sup>  
SPECIAL  
PRODUCTS

## FROM DESIGN TO PRODUCTION

Experience, research, technology and continuous innovation are GRIDIRON's driving forces in developing stainless steel special products. The Company deals with the **planning, production, delivery and installing stainless steel floor drains, drain channels, grating panels not only standard but also custom sized.**

On request, the **design of the gratings** can be followed entirely by GRIDIRON professional staff. In any event the team is also available to **support the customer's designer** during the study and development of the project. GRIDIRON, being continuously committed to refining of new products for drainage, adds to its wide range of stainless steel products by manufacturing slop-

ing channels and floor drains for special applications.

The large and well-stocked warehouse allows **prompt supply** for standard sizes. Earnestness and efficiency ensure manufactured items **timely delivery of items produced.**

The **logistic service** is dealt with by GRIDIRON with its own means of transport so that the customer can have what they wish, when and where they wish it with correct informations.

Thanks to a highly professional team, GRIDIRON can deal with **installation** on request.

## 10 GOOD REASONS FOR CHOOSING OUR STAINLESS STEEL PRODUCTS

- **corrosion resistant**
- **high mechanical resistance**
- **easy to polish thanks to reduced surface roughness**
- **highly hygienic**
- **due to their inert material they do not change the colour, flavour or odour of what they contain**
- **they keep their features at a wide range of temperatures**
- **they have and maintain an outward appearance that is modern, bright and attractive**
- **they are good value for money given their long duration over time**
- **maintance costs practically nil.**
- **eco-friendly as they are 100% recyclable**





**GRIDIRON**  
GRIGLIATI TECNICI



## TREATMENTS FOR STAINLESS STEEL

### CORROSION

Austenitic stainless steels have a characteristic layer of chrome oxide on the surface (created by air or produced artificially) which is very thin and invisible and which protects the material from environmental damage; this resistance mainly depends on the percentage of chrome and nickel.

When the formation of this layer of chrome oxide is prevented, or when this layer is continually destroyed, austenitic stainless steels corrode.

To achieve good resistance to corrosion it is necessary to know the types of corrosion possible and their causes, choose the suitable alloys for each application and carefully produce a design. Lastly, appropriate surface treatments need to be performed, such as de-greasing, pickling and polishing.

## SURFACE TREATMENT STAGES OF AUSTENITIC STAINLESS STEELS

### DE-GREASING

De-greasing is an operation of extreme importance for removing any trace of grease and dirt from the surfaces of stainless steel elements before giving them any heat treatment or surface finishes (such as PICKLING or ELECTRO-POLISHING). If any marks or traces of dirt or grease are on the surface, damage could be caused to the material itself or it could lead to spotting. De-greasing is normally done by immersion or by spraying a de-greasing agent like FS10. Once the treatment has been completed, the items are thoroughly rinsed by cold water under high pressure, which also provides a mechanical cleaning action.

DE-GREASING



### PICKLING

Pickling of the surfaces is usually done to eliminate oxidised crusts that form on the surface of an element or manufactured item during, for instance, hot rolling, annealing, welding, etc. This treatment is always carried out prior to electro-polishing or passivation, usually by immersion in a chemical bath consisting of sulphuric acid (20-25%), hydrofluoric acid (2-4%) and phosphoric acid (1-4%). The pickling is normally done by immersion or by the application of a pickling gel once the piece has been prepared. Once the treatment has been completed, the items are thoroughly rinsed by cold water under high pressure, which also provides a mechanical cleaning action.

PICKLING



### ELECTROLYTIC POLISHING

Electro-chemical polishing – or electro-polishing or just polishing – according to DIN 8590 regulations, forms part of the finishing procedures that remove material by passing through electricity. Electrolytic polishing consists of a bath of electrolyte solution comprising solutions of phosphoric acid (30-50%) and sulphuric acid (30-50%).

The manufactured item to electro-polish forms the anode of an electrolytic cell, while the cathode is usually formed by a plate in stainless steel AISI 304. The principle of electro-polishing is to remove material by selectively dissolving the surfaces to be treated (anode) in an electrolytic bath, under the action of the appropriate electrical equipment able to supply direct current at a voltage of 5 -15V with a current density usually between 0.2 and 0.5 A/cm<sup>2</sup>

ELECTROLYTIC POLISHING



### Benefits of electrolytic polishing:

- reduction of surface roughness on the manufactured item
- elimination of burrs from processing
- increase of the resistance to corrosion
- greater ease of removing bacteria and therefore improved hygiene properties of the item





**STAINLESS STEEL SPECIAL PRODUCTS**

# 1 **BANDED PRESSURE-LOCKED GRATINGS**

**STANDARD AND CUSTOM SIZED**

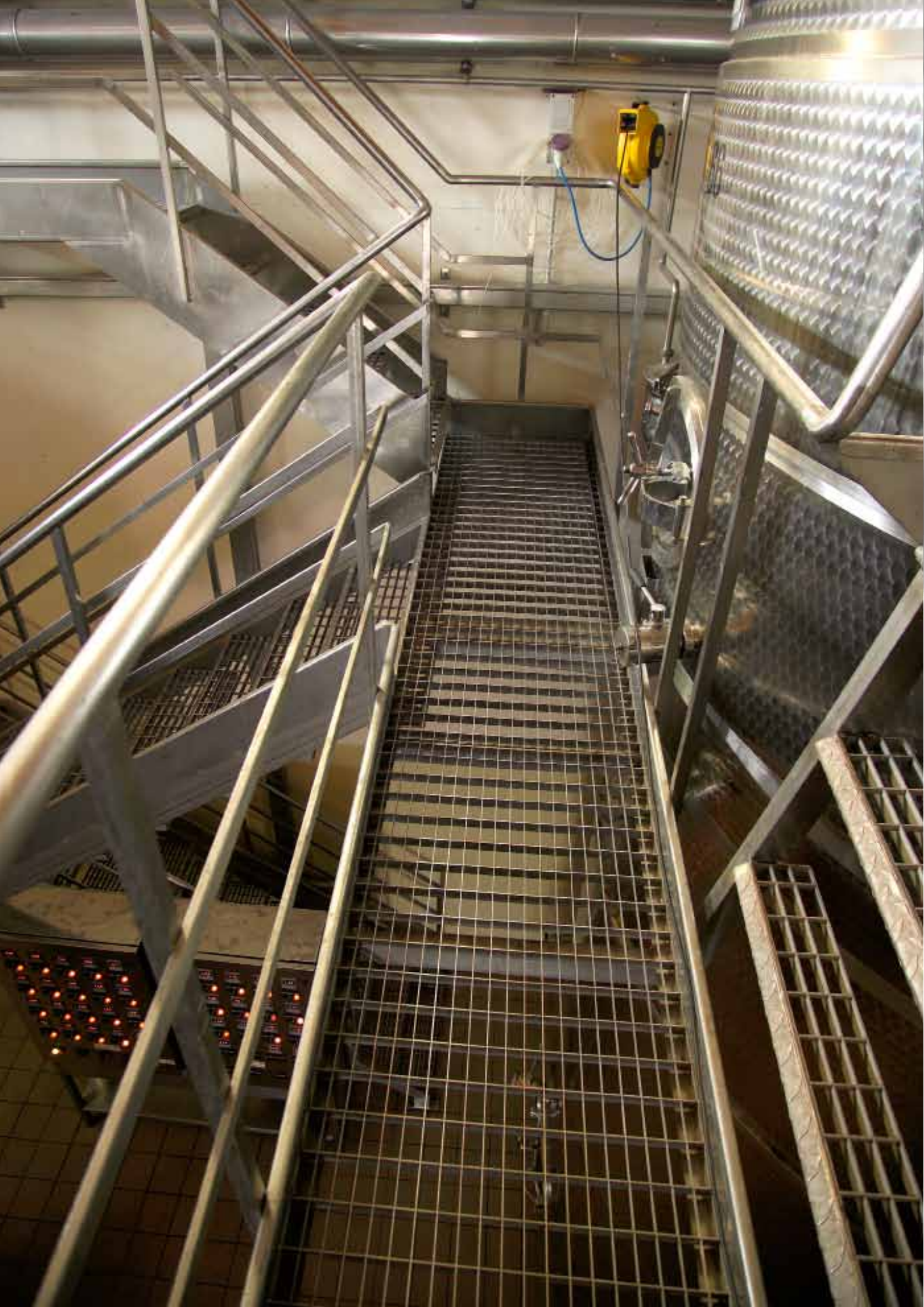
The best material, stainless steel (AISI 304), combined with the long experience of GRIDIRON in research and its computerized production have resulted in a very special range of products, conceived for different applications, both in the food field, in chemicals/pharmaceuticals and mining.

GRIDIRON specialises in cutting and shaping grating panels according to drawings. Also standard gratings available, included in a wide range of sizes, so that a prompt solution to any problems is assured. Antiskid and anti-slip gratings (with serrated bars) can be manufactured on request. All this supplied with the usual express service.

Usually standard and custom sized gratings are subject to treatment such as degreasing, pickling and polishing that allow a reduction in the surface roughness of the manufactured item, elimination of burrs from processing and an increase in the resistance to corrosion, so improving the hygiene properties of the item.

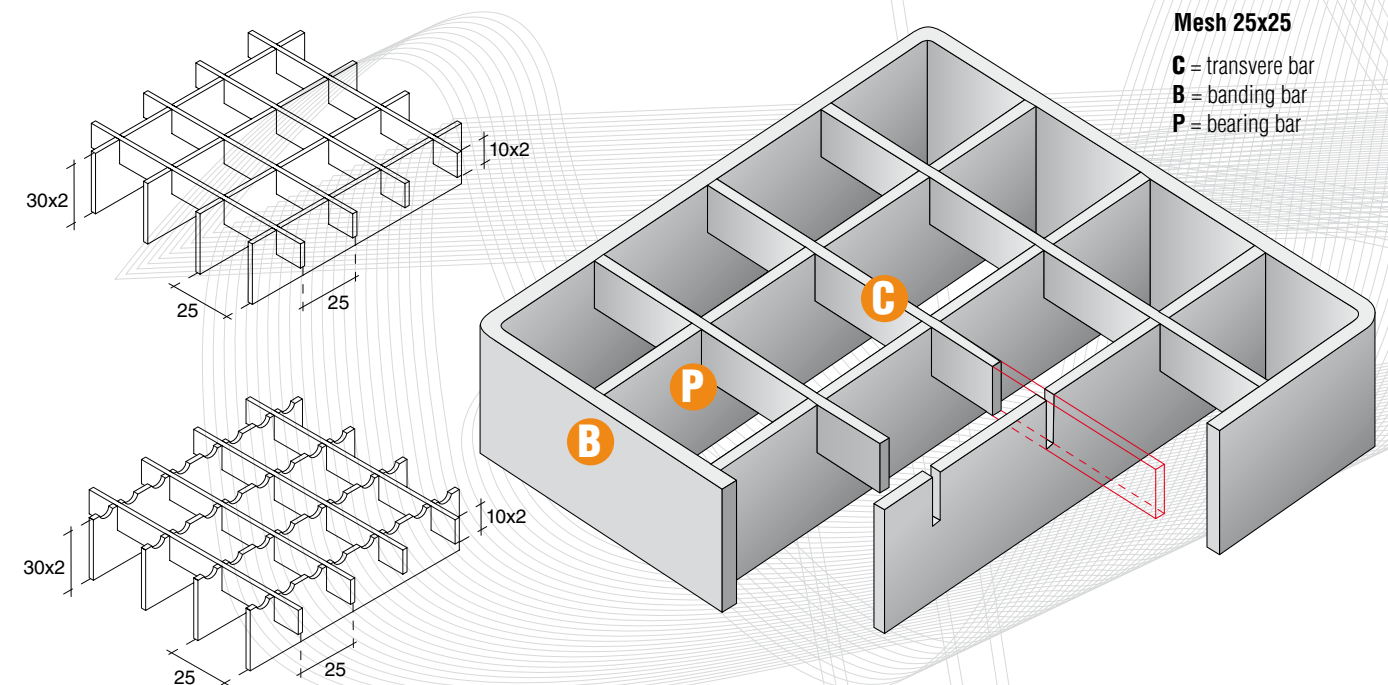
For extreme applications stainless steel AISI 316 is available, which is perfect for use wherever total performance is required.





## STANDARD BANDED STAINLESS STEEL GRATINGS

Experience, technological research and automated, cutting-edge production make Gridiron stainless steel AISI 304 products "special". The new production, dedicated to the growing demand from the market and designers, consists of a wider range of stainless steel grating panels in standard sizes held in stock. This exclusive production is rounded off by a customary express service, confirming Gridiron as the ideal supplier for all needs.







**STANDARD PANELS**

Standard stainless steel panels with 30x2 mm bars and mesh of 25x25 mm in the normal version available in stock.

**EXTRA NON-SLIP**

The whole production is also available in the Extra Non-Slip version with serrated bars wherever the use of oily or slippery substances requires more safety from accidents.

**AVAILABLE SIZES**

Code		Size	Grating		Weight	Load capacity	
Normal	SAS	mm	Bar mm	Mesh mm	kg		
6020	6020S	200 x 200	30 x 2	25 x 25	1.22		
6028	6028S	200 x 300	30 x 2	25 x 25	1.93		
6036	6036S	200 x 400	30 x 2	25 x 25	2.37		
6031	6031S	200 x 500	30 x 2	25 x 25	3.02		
6029	6029S	200 x 800	30 x 2	25 x 25	4.74		
6030	6030S	200 x 900	30 x 2	25 x 25	5.29		
6027	6027S	200 x 1000	30 x 2	25 x 25	5.95		
6001	6001S	300 x 300	30 x 2	25 x 25	2.7		
6021	6021S	300 x 400	30 x 2	25 x 25	3.6		
6004	6004S	300 x 500	30 x 2	25 x 25	4.3		
6022	6022S	300 x 600	30 x 2	25 x 25	5.1		
6017	6017S	300 x 700	30 x 2	25 x 25	5.6		
6005	6005S	300 x 800	30 x 2	25 x 25	6.7		
6006	6006S	300 x 900	30 x 2	25 x 25	7.5		
6007	6007S	300 x 1000	30 x 2	25 x 25	8.2		
6002	6002S	400 x 400	30 x 2	25 x 25	4.47		
6008	6008S	400 x 500	30 x 2	25 x 25	5.55		
6023	6023S	400 x 600	30 x 2	25 x 25	6.76		
6024	6024S	400 x 700	30 x 2	25 x 25	7.69		
6009	6009S	400 x 800	30 x 2	25 x 25	8.58		
6010	6010S	400 x 900	30 x 2	25 x 25	9.77		
6011	6011S	400 x 1000	30 x 2	25 x 25	10.67		
6003	6003S	500 x 500	30 x 2	25 x 25	7.04		
6018	6018S	500 x 600	30 x 2	25 x 25	8.24		
6015	6015S	500 x 700	30 x 2	25 x 25	9.3		
6012	6012S	500 x 800	30 x 2	25 x 25	10.86		
6013	6013S	500 x 900	30 x 2	25 x 25	11.9		
6014	6014S	500 x 1000	30 x 2	25 x 25	13.5		
6037	6037S	600 x 600	30 x 2	25 x 25	9.88		
6025	6025S	600 x 1000	30 x 2	25 x 25	16.0		
6026	6026S	700 x 900	30 x 2	25 x 25	16.9		
6016	6016S	700 x 1000	30 x 2	25 x 25	18.7		





## BANDED STAINLESS STEEL GRATINGS, MADE TO MEASURE

### AISI 304 - AISI 316

The stainless steel used for all gratings produced is AISI 304. However, in applications exposed to particularly harsh substances, AISI 316 stainless steel is recommended and is available on request.

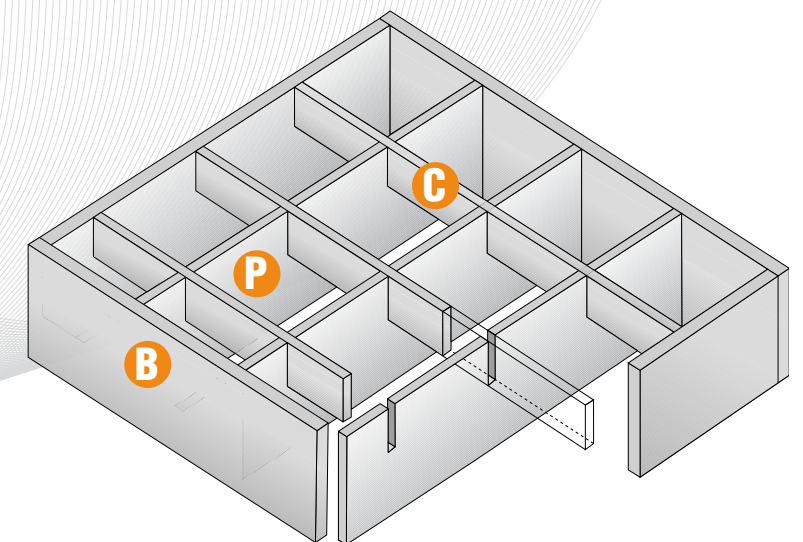
The practicality and adaptability of the panels are particularly appreciated by manufacturers of industrial kitchen equipment, catering systems, food, animal farming and chemical plants. But in any case, they are essential for all settings where hygiene is a crucial factor.

### Non-slip

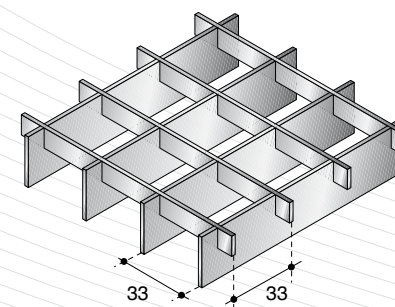
The surface of the panels has non-slip properties. In situations where there are oily and slippery substances which require greater accident prevention measure being taken, the extra non-slip surface with serrated bars is particularly ideal.

The finish of stainless steel panels includes flanging, pickling and polishing treatments to achieve a long-lasting product of the highest quality.

**C** = transverse bar  
**B** = banding bar  
**P** = bearing bar

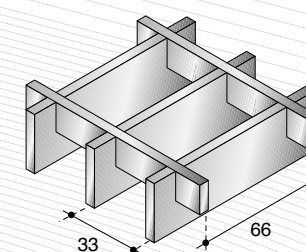






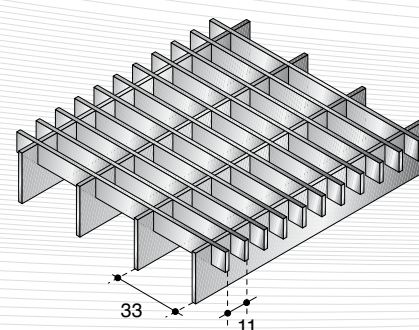
**MESH mm 33x33**

BEARING BAR mm	CROSS BAR	BAND	WEIGHT kg/mq
20x2	10x2	20x3	13.29
25x2	10x2	25x3	16.02
25x3	10x2	25x3	21.68
30x2	10x2	30x3	18.76
30x3	10x2	30x3	25.55
35x2	10x2	35x3	21.49
35x3	10x2	35x3	29.41
40x2	10x2	40x3	24.23
40x3	10x2	40x3	33.28
40x4	10x3	40x4	44.69
50x3	10x2	50x3	41.01
50x4	10x3	50x4	54.98
60x3	10x2	60x3	48.85
70x3	10x3	70x3	57.72



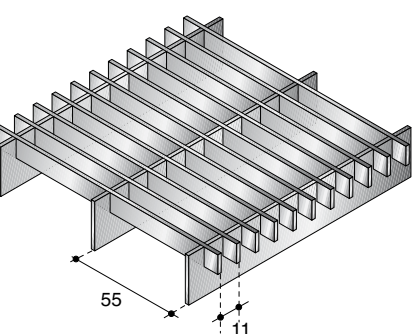
**MESH mm 33x66**

BEARING BAR mm	CROSS BAR	BAND	WEIGHT kg/mq
20x2	10x2	20x3	13.29
25x2	10x2	25x3	16.02
25x3	10x2	25x3	21.68
30x2	10x2	30x3	18.76
30x3	10x2	30x3	25.55
35x2	10x2	35x3	21.49
35x3	10x2	35x3	29.41
40x2	10x2	40x3	24.23
40x3	10x2	40x3	33.28
40x4	10x3	40x4	44.69
50x3	10x2	50x3	41.01
50x4	10x3	50x4	54.98
60x3	10x2	60x3	48.85
70x3	10x3	70x3	57.72



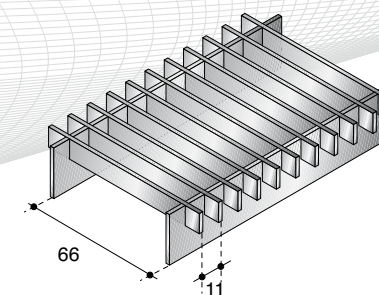
**MESH mm 33x11 heel-proof**

BEARING BAR mm	CROSS BAR	BAND	WEIGHT kg/mq
20x2	10x2	20x3	25.07
25x2	10x2	25x3	27.80
25x3	10x2	25x3	33.46
30x2	10x2	30x3	30.53
30x3	10x2	30x3	37.32
35x2	10x2	35x3	33.27
35x3	10x2	35x3	41.19
40x2	10x2	40x3	36.00
40x3	10x2	40x3	45.05



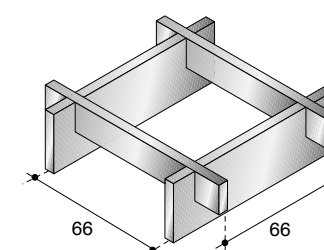
**MESH mm 55x11 heel-proof**

BEARING BAR mm	CROSS BAR	BAND	WEIGHT kg/mq
20x2	10x2	20x3	21.32
25x2	10x2	25x3	23.12
25x3	10x2	25x3	26.43
30x2	10x2	30x3	24.91
30x3	10x2	30x3	28.89
35x2	10x2	35x3	26.71
35x3	10x2	35x3	31.36
40x2	10x2	40x3	28.51
40x3	10x2	40x3	33.82



**MESH mm 66x11 heel-proof**

BEARING BAR mm	CROSS BAR	BAND	WEIGHT kg/mq
20x2	10x2	20x3	20.38
25x2	10x2	25x3	21.95
25x3	10x2	25x3	24.68
30x2	10x2	30x3	23.51
30x3	10x2	30x3	26.79
35x2	10x2	35x3	25.07
35x3	10x2	35x3	28.90
40x2	10x2	40x3	26.64
40x3	10x2	40x3	31.01



**MESH mm 66x66**

BEARING BAR mm	CROSS BAR	BAND	WEIGHT kg/mq
20x2	10x2	20x3	8.61
25x2	10x2	25x3	10.17
25x3	10x2	25x3	12.90
30x2	10x2	30x3	11.74
30x3	10x2	30x3	15.01
35x2	10x2	35x3	13.30
35x3	10x2	35x3	17.12
40x2	10x2	40x3	14.86
40x3	10x2	40x3	19.23



STAINLESS STEEL SPECIAL PRODUCTS

## 2 STAINLESS STEEL FISSURE DRAIN CHANNELS

STANDARD OR MADE TO MEASURE

The range of Gridiron's stainless steel AISI 304 products extends to include the exceptionally useful fissure drain channel, made with or without incorporated slope. Particularly indicated in spaces with vehicles in transit, it is extremely strong, easy to install and attractive.

The fissure drain channels are available up to a maximum length of 6 m. Longer stretches can be made by using special coupling collars.





## STANDARD STAINLESS STEEL DRAIN CHANNELS

Gridiron offers a wide range of standard stainless steel drain channels for the most urgent needs, to guarantee excellent service.

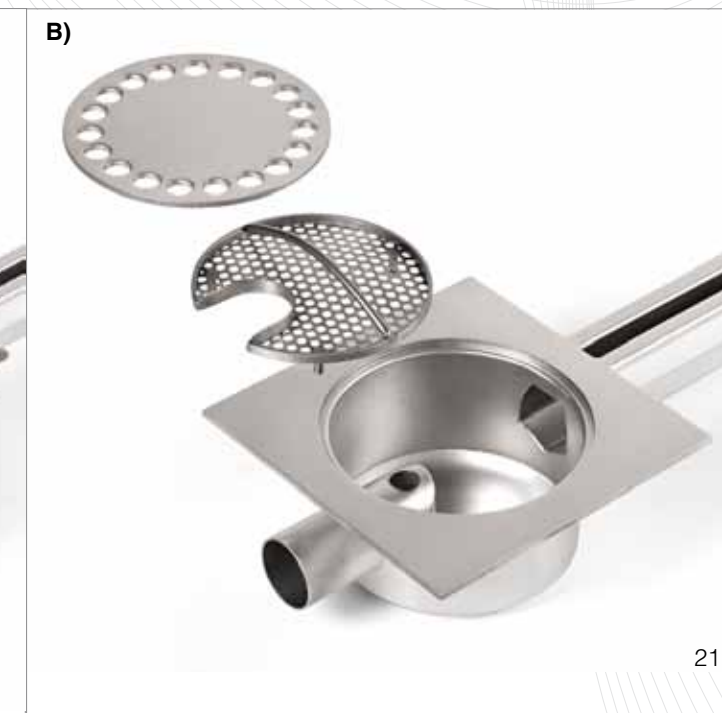
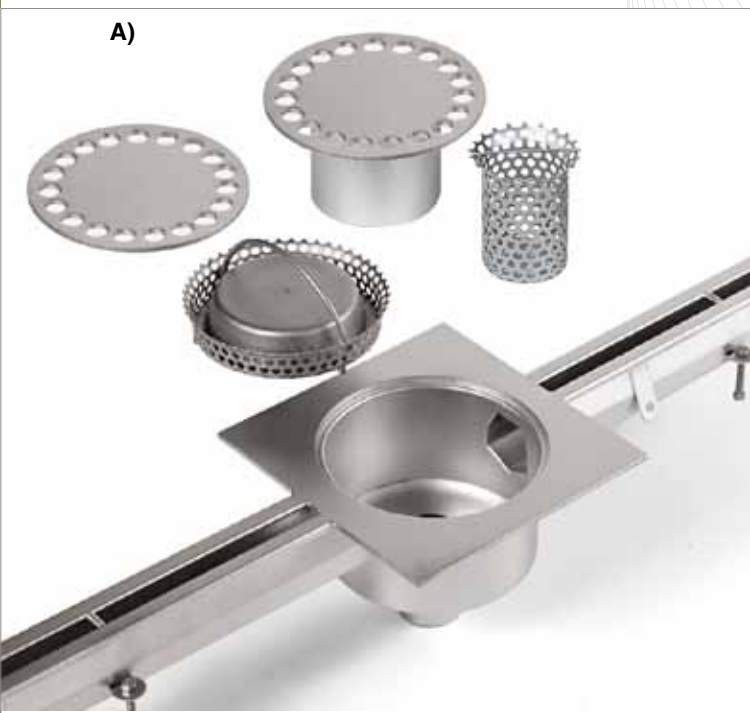
### FISSURE CHANNELS WITH DRAIN SUMP

**A)** Fissure channels with vertical drain, complete with drilled plate, filter up and downstream from the trap, entirely made in AISI 304 stainless steel.

**B)** Fissure channels with horizontal drain trap complete with cover, filter and inspection cover entirely made in AISI 304 stainless steel.

### FOUR VERSIONS AVAILABLE:

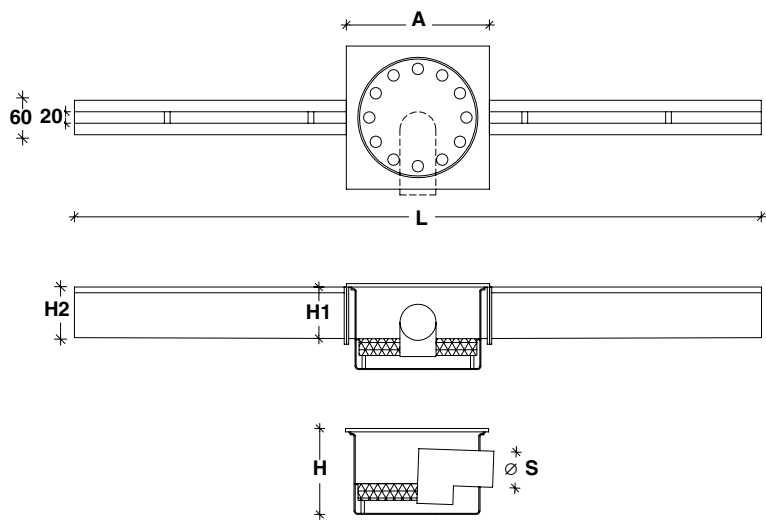
- HORIZONTAL CENTRAL DRAIN
- HORIZONTAL HEAD DRAIN
- VERTICAL CENTRAL DRAIN
- VERTICAL HEAD DRAIN







**HORIZONTAL CENTRAL DRAINS** for standard stainless steel fissure channels



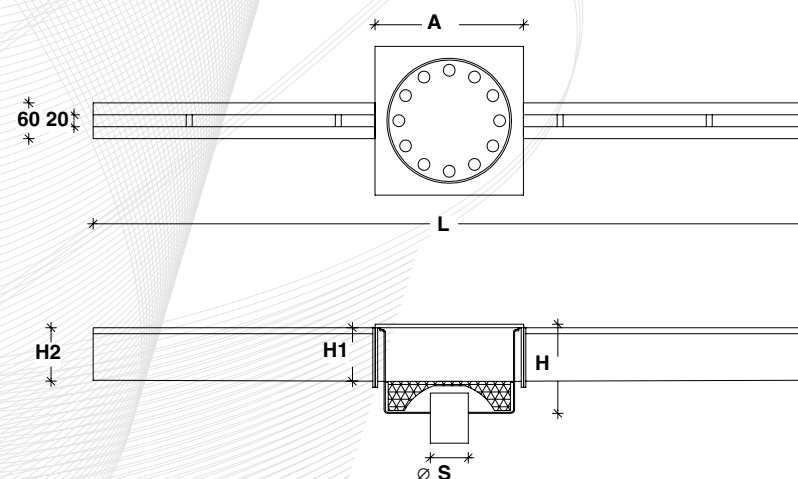
Fissure channel in AISI 304 stainless steel, filter trap with drum and central horizontal drain.

**Type of material:** AISI 304 stainless steel

**Material thickness:** 20/10

CODE	L	A	H1	H2	Ø S	H
6F11ZC	1300	300	90	88	63	150
6F21ZC	2300	300	90	86	63	150
6F31ZC	3300	300	90	84	63	150
6F41ZC	4300	300	90	82	63	150
6F51ZC	5300	300	90	80	63	150
6F61ZC	6300	300	90	78	63	150

**VERTICAL CENTRAL DRAIN** for standard stainless steel fissure channels



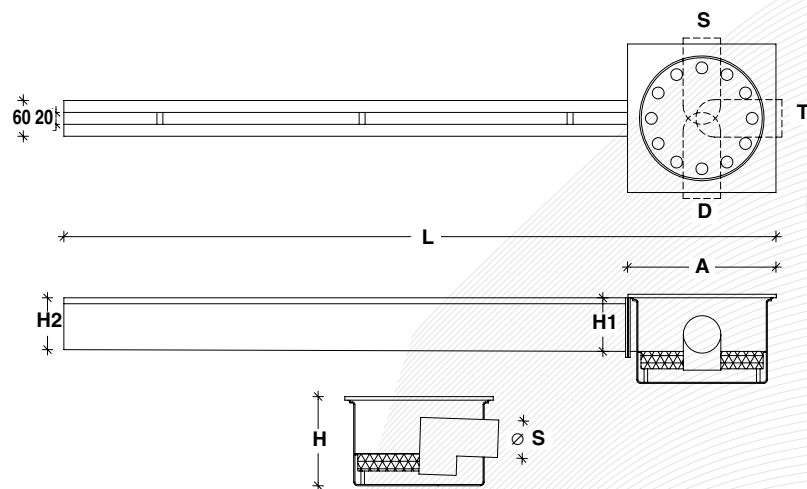
Fissure channel in AISI 304 stainless steel, filter trap with drum and central vertical drain.

**Type of material:** AISI 304 stainless steel

**Material thickness:** 20/10

CODE	L	A	H1	H2	Ø S	H
6F11VC	1300	300	90	88	63	150
6F21VC	2300	300	90	86	63	150
6F31VC	3300	300	90	84	63	150
6F41VC	4300	300	90	82	63	150
6F51VC	5300	300	90	80	63	150
6F61VC	6300	300	90	78	63	150

**HORIZONTAL HEAD DRAIN** for standard stainless steel fissure channels



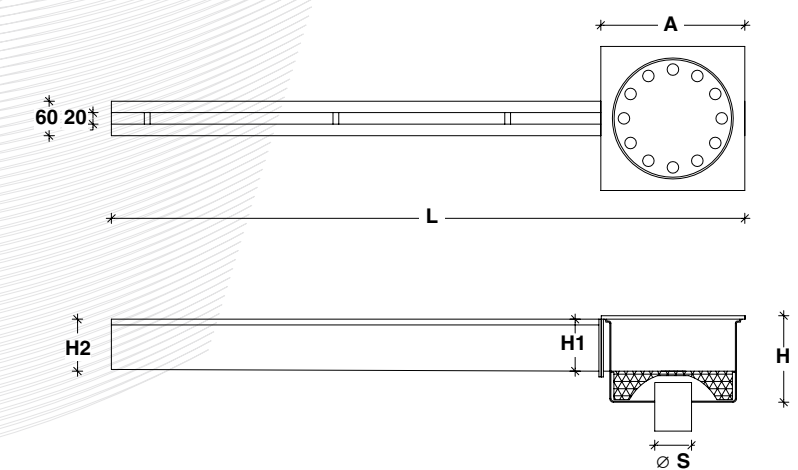
Fissure channel in AISI 304 stainless steel, filter trap with drum and horizontal head drain.

**Type of material:** AISI 304 stainless steel

**Material thickness:** 20/10

CODE	L	A	H1	H2	Ø S	H
6F11ZT	1300	300	90	86	63	150
6F21ZT	2300	300	90	82	63	150
6F31ZT	3300	300	90	78	63	150
6F41ZT	4300	300	90	74	63	150
6F51ZT	5300	300	90	70	63	150
6F61ZT	6300	300	90	66	63	150

**VERTICAL HEAD DRAIN** for standard stainless steel fissure channels



Fissure channel in AISI 304 stainless steel, filter trap with drum and vertical head drain.

**Type of material:** AISI 304 stainless steel

**Material thickness:** 20/10

CODE	L	A	H1	H2	Ø S	H
6F11VT	1300	300	90	86	63	150
6F21VT	2300	300	90	82	63	150
6F31VT	3300	300	90	78	63	150
6F41VT	4300	300	90	74	63	150
6F51VT	5300	300	90	70	63	150
6F61VT	6300	300	90	66	63	150





## STAINLESS STEEL FISSURE DRAIN CHANNELS **MADE TO MEASURE**

Fissure drain channels are available up to a maximum length of 6 m. Longer stretches are possible by using the special coupling collars.

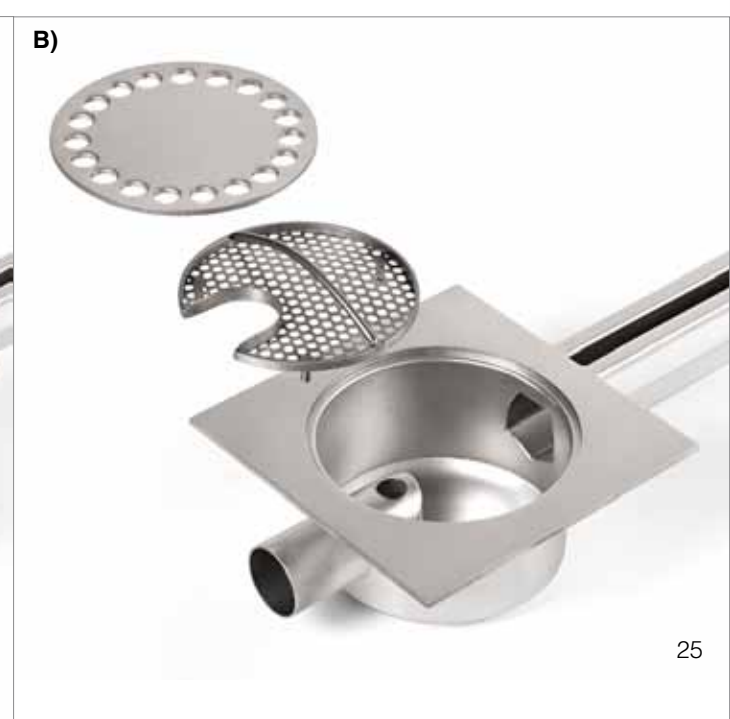
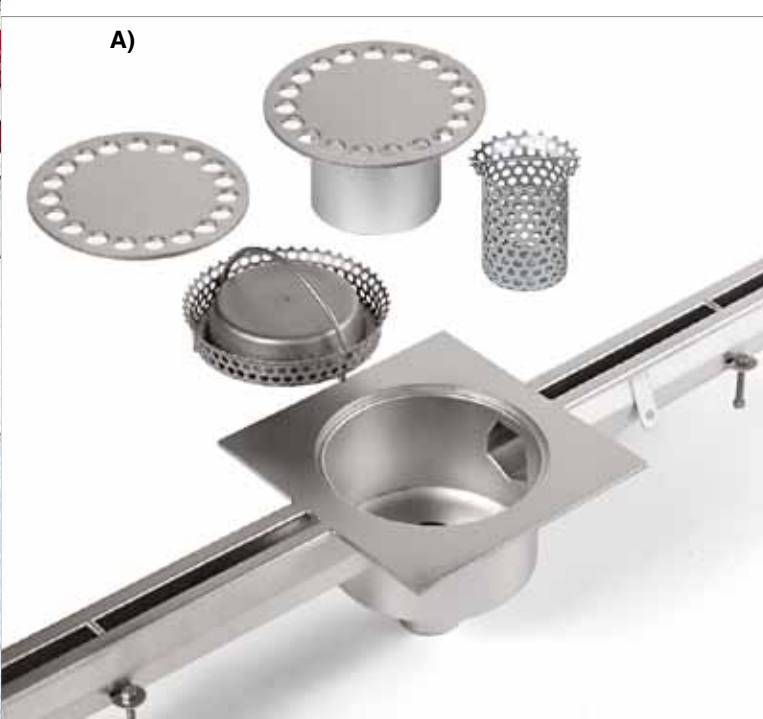
### FISSURE CHANNELS WITH DRAIN SUMP

**A)** Fissure channels with vertical drain, complete with drilled plate, filter up and downstream from the trap, entirely made in AISI 304 stainless steel.

**B)** Fissure channels with horizontal drain trap complete with cover, filter and inspection cover entirely made in AISI 304 stainless steel.

### FOR VERSIONS AVAILABLE:

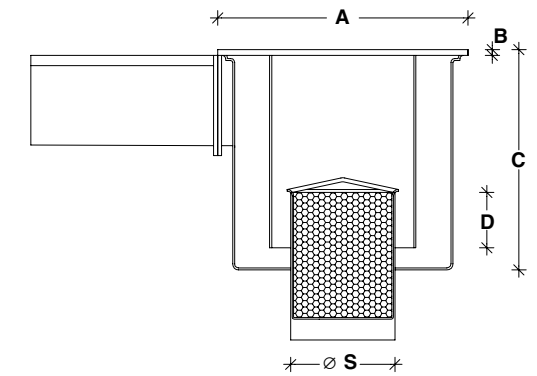
- **VERTICAL** drain sump with drum after the trap filter
- **VERTICAL** drain sump with drum before the trap filter
- **HORIZONTAL** drain sump
- **LOWERED HORIZONTAL** drain sump





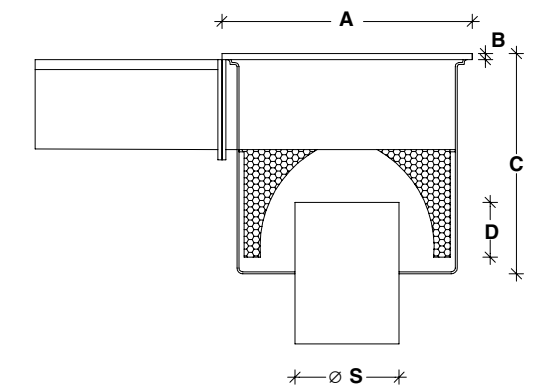


**VERTICAL DRAIN SUMP WITH DRUM AFTER THE TRAP FILTER**



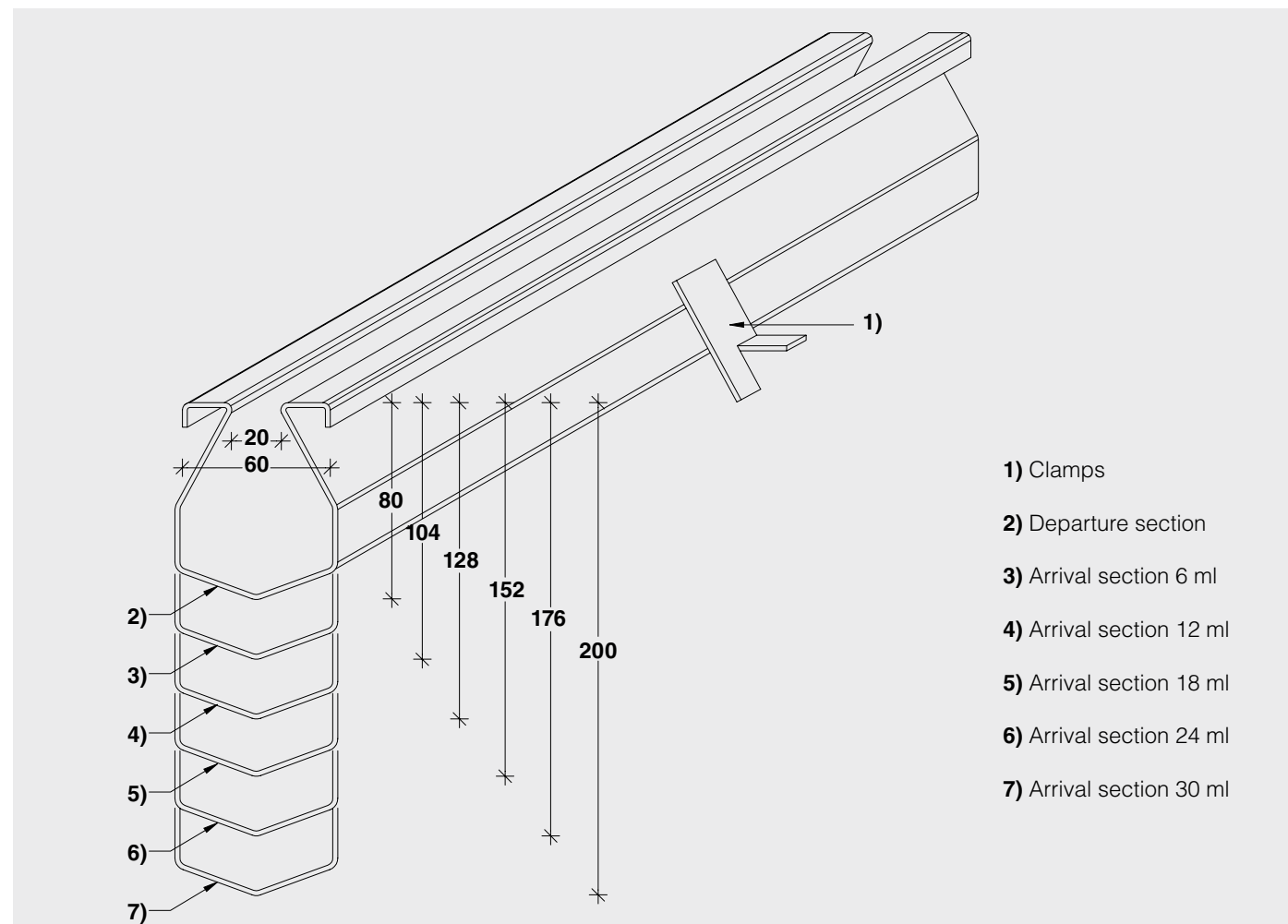
A	B	C	H	Ø S	D
250	6	220	290	104	55
300	6	220	290	104	55

**VERTICAL DRAIN SUMP WITH DRUM BEFORE THE TRAP FILTER**



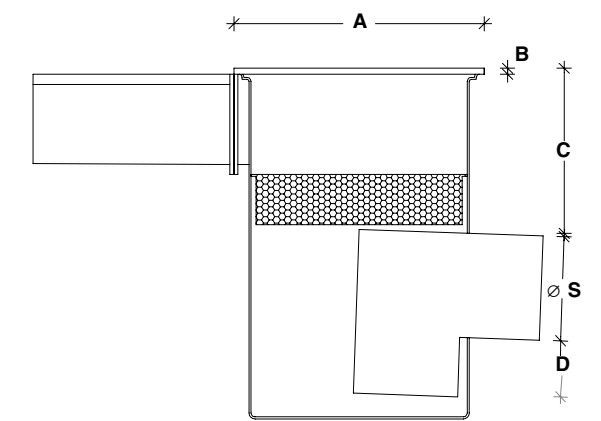
A	B	C	H	Ø S	D
250	6	220	290	104	55
300	6	220	290	104	55

**DRAWINGS AND TECHNICAL DATA STAINLESS STEEL FISSURE DRAIN CHANNELS MADE TO MEASURE**



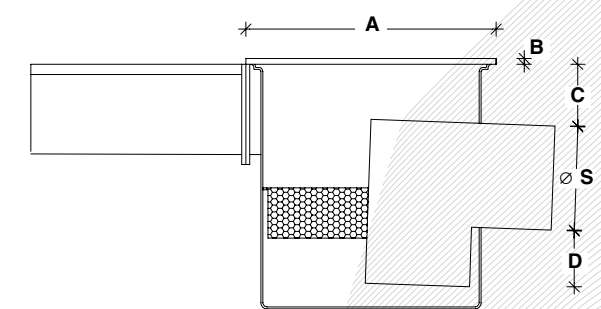
- 1) Clamps
- 2) Departure section
- 3) Arrival section 6 ml
- 4) Arrival section 12 ml
- 5) Arrival section 18 ml
- 6) Arrival section 24 ml
- 7) Arrival section 30 ml

**HORIZONTAL DRAIN SUMP**



A	B	C	H	Ø S	D
250	6	165	350	104	57
300	6	165	350	104	57

**LOWERED HORIZONTAL DRAIN SUMP**



A	B	C	H	Ø S	D
250	6	61	250	104	57
300	6	61	250	104	57





1)



2)



3)



4)



5)



6)

## ACCESSORIES for made to measure stainless steel drain channels

Gridiron's flexibility allows custom sized fissure drain channels thanks to a set of usefull accessories for cleaning, installing and maintenance in whatever context.

- 1) Adjustable feet
- 2) Resin reinforced edges
- 3) Channel prepared for internal washing
- 4) Coupling and joint collar
- 5) 90° bend
- 6) Disposable clamps

### SPECIAL STAINLESS STEEL PRODUCTS

## 3 STAINLESS STEEL BOX DRAIN CHANNELS WITH SLOPE

- STANDARD LOWERED STAINLESS STEEL RECTANGULAR BOX DRAIN CHANNELS
- STAINLESS STEEL SQUARE BOX DRAIN CHANNELS
- MADE TO MEASURE RECTANGULAR STAINLESS STEEL BOX DRAIN CHANNELS

The stainless steel box drain channels with slope are prefabricated elements ready for installing and inserting Gridiron grids.

Made in stainless steel AISI 304 at a thickness of 1.5 or 2 mm, they are provided with lugs at the sides for anchoring in the concrete.

They are available in lengths up to 6 m and provide perfect drain channels for the food and chemical sectors.

The central drain for liquids is complete with a filter trap to help the removal of refuse and to prevent bad smells being issued.





## STANDARD LOWERED STAINLESS STEEL RECTANGULAR BOX DRAIN CHANNELS

Gridiron offers a wide range of standard stainless steel lowered rectangular drains for the most urgent requests, to always guarantee excellent performance.

### FOR VERSIONS AVAILABLE:

- central HORIZONTAL drain
- HORIZONTAL head drain
- central VERTICAL drain
- VERTICAL head drain



Vertical drain channel complete with filter upstream from the trap, pressure-locked pickled and polished grid, entirely made in AISI 304 stainless steel.



Horizontal drain channel complete with filter trap, pressure-locked pickled and polished grid, entirely made in AISI 304 stainless steel.



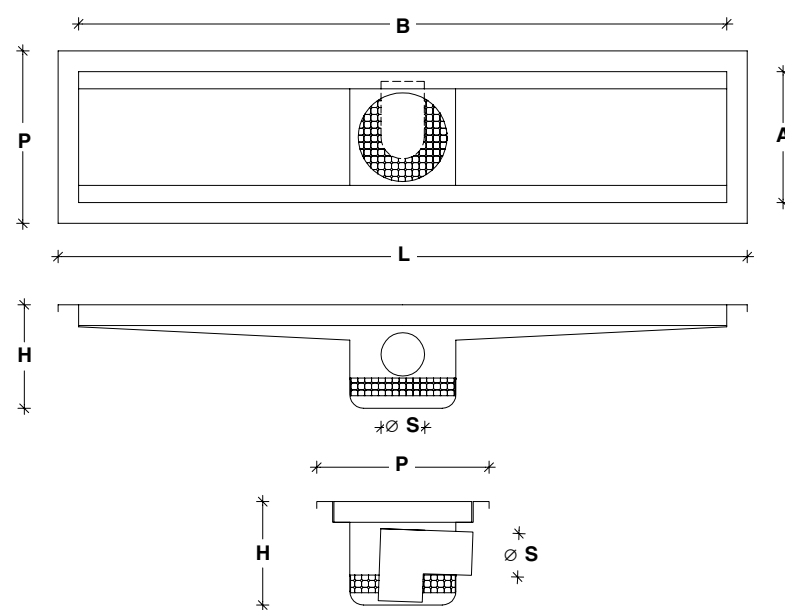


**CENTRAL HORIZONTAL DRAIN**  
for standard lowered stainless steel rectangular drain channels

Rectangular lowered drain in AISI 304 stainless steel with grid, filter trap, drum and central horizontal drain.

**Type of material:** AISI 304 stainless steel

**Material thickness:** 20/10



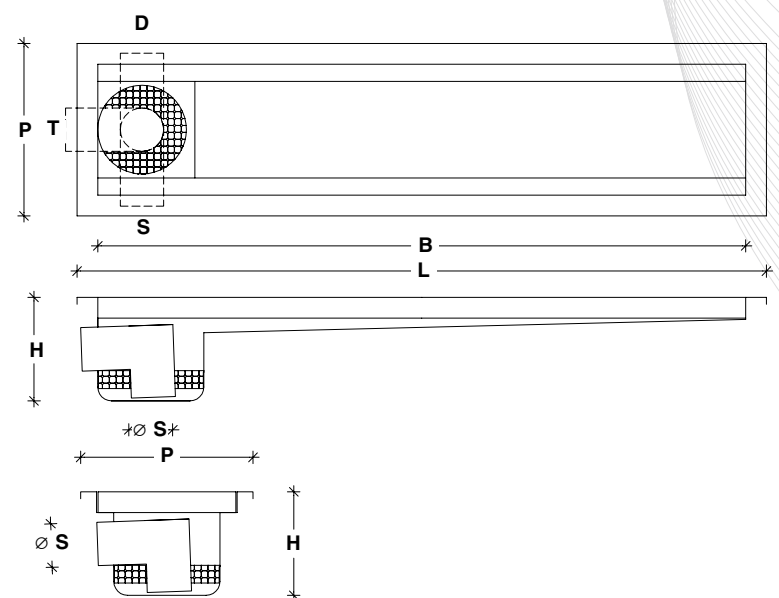
CODE	L	B	P	A	∅ S	H
6V10ZC	1050	1000	200	150	63	160
6V11ZC	1050	1000	250	200	63	160
6V12ZC	1050	1000	300	250	63	160
6V13ZC	1050	1000	350	300	63	160
6V14ZC	1050	1000	400	350	63	160
6V15ZC	1050	1000	450	400	63	160
6V16ZC	1050	1000	500	450	63	160
6V20ZC	2050	2000	200	150	63	160
6V21ZC	2050	2000	250	200	63	160
6V22ZC	2050	2000	300	250	63	160
6V23ZC	2050	2000	350	300	63	160
6V24ZC	2050	2000	400	350	63	160
6V25ZC	2050	2000	450	400	63	160
6V26ZC	2050	2000	500	450	63	160
6V30ZC	3050	3000	200	150	63	160
6V31ZC	3050	3000	250	200	63	160
6V32ZC	3050	3000	300	250	63	160
6V33ZC	3050	3000	350	300	63	160
6V34ZC	3050	3000	400	350	63	160
6V35ZC	3050	3000	450	400	63	160
6V36ZC	3050	3000	500	450	63	160

**HORIZONTAL HEAD DRAIN**  
for standard lowered stainless steel rectangular drain channels

AISI 304 stainless steel rectangular lowered drain with grid, filter trap, drum and horizontal head drain.

**Type of material:** AISI 304 stainless steel

**Material thickness:** 20/10



CODE	L	B	P	A	∅ S	H
6V10ZT	1050	1000	200	150	63	160
6V11ZT	1050	1000	250	200	63	160
6V12ZT	1050	1000	300	250	63	160
6V13ZT	1050	1000	350	300	63	160
6V14ZT	1050	1000	400	350	63	160
6V15ZT	1050	1000	450	400	63	160
6V16ZT	1050	1000	500	450	63	160
6V20ZT	2050	2000	200	150	63	160
6V21ZT	2050	2000	250	200	63	160
6V22ZT	2050	2000	300	250	63	160
6V23ZT	2050	2000	350	300	63	160
6V24ZT	2050	2000	400	350	63	160
6V25ZT	2050	2000	450	400	63	160
6V26ZT	2050	2000	500	450	63	160
6V30ZT	3050	3000	200	150	63	160
6V31ZT	3050	3000	250	200	63	160
6V32ZT	3050	3000	300	250	63	160
6V33ZT	3050	3000	350	300	63	160
6V34ZT	3050	3000	400	350	63	160
6V35ZT	3050	3000	450	400	63	160
6V36ZT	3050	3000	500	450	63	160





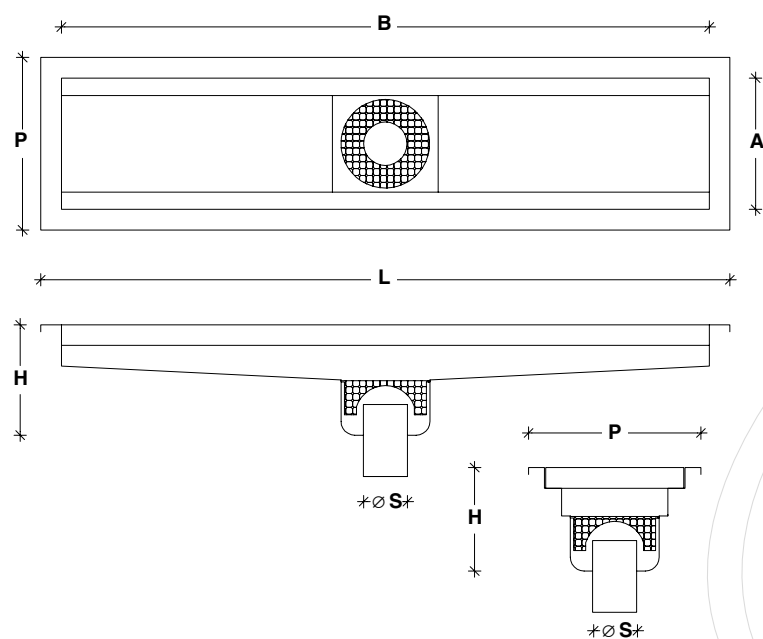
**CENTRAL VERTICAL DRAIN**

for standard lowered stainless steel rectangular drain channels

AISI 304 stainless steel rectangular lowered drain with grid, filter trap, drum and central vertical drain.

**Type of material:** AISI 304 stainless steel

**Material thickness:** 20/10



CODE	L	B	P	A	∅ S	H
6V10VC	1050	1000	200	150	63	130
6V11VC	1050	1000	250	200	63	130
6V12VC	1050	1000	300	250	63	130
6V13VC	1050	1000	350	300	63	130
6V14VC	1050	1000	400	350	63	130
6V15VC	1050	1000	450	400	63	130
6V16VC	1050	1000	500	450	63	130
6V20VC	2050	2000	200	150	63	130
6V21VC	2050	2000	250	200	63	130
6V22VC	2050	2000	300	250	63	130
6V23VC	2050	2000	350	300	63	130
6V24VC	2050	2000	400	350	63	130
6V25VC	2050	2000	450	400	63	130
6V26VC	2050	2000	500	450	63	130
6V30VC	3050	3000	200	150	63	130
6V31VC	3050	3000	250	200	63	130
6V32VC	3050	3000	300	250	63	130
6V33VC	3050	3000	350	300	63	130
6V34VC	3050	3000	400	350	63	130
6V35VC	3050	3000	450	400	63	130
6V36VC	3050	3000	500	450	63	130

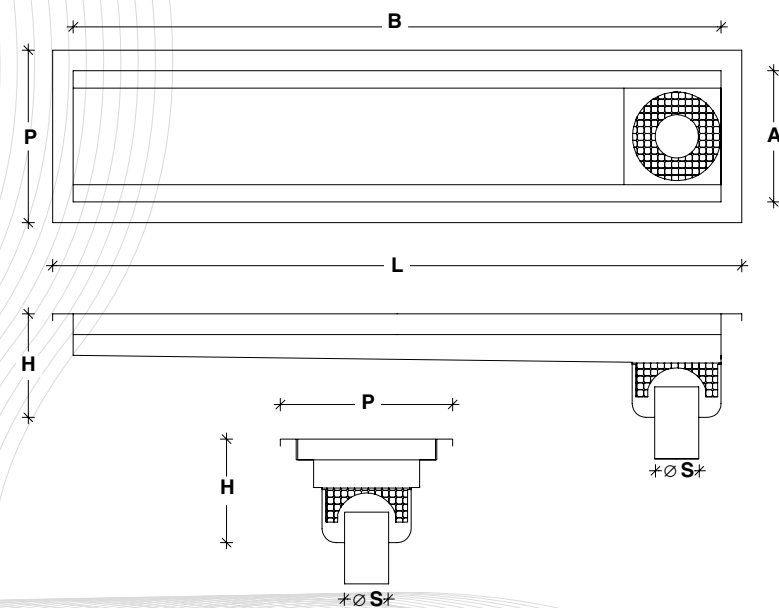
**VERTICAL HEAD DRAIN**

for standard lowered stainless steel rectangular drain channels

AISI 304 stainless steel rectangular lowered drain with grid, filter trap, drum and vertical head drain.

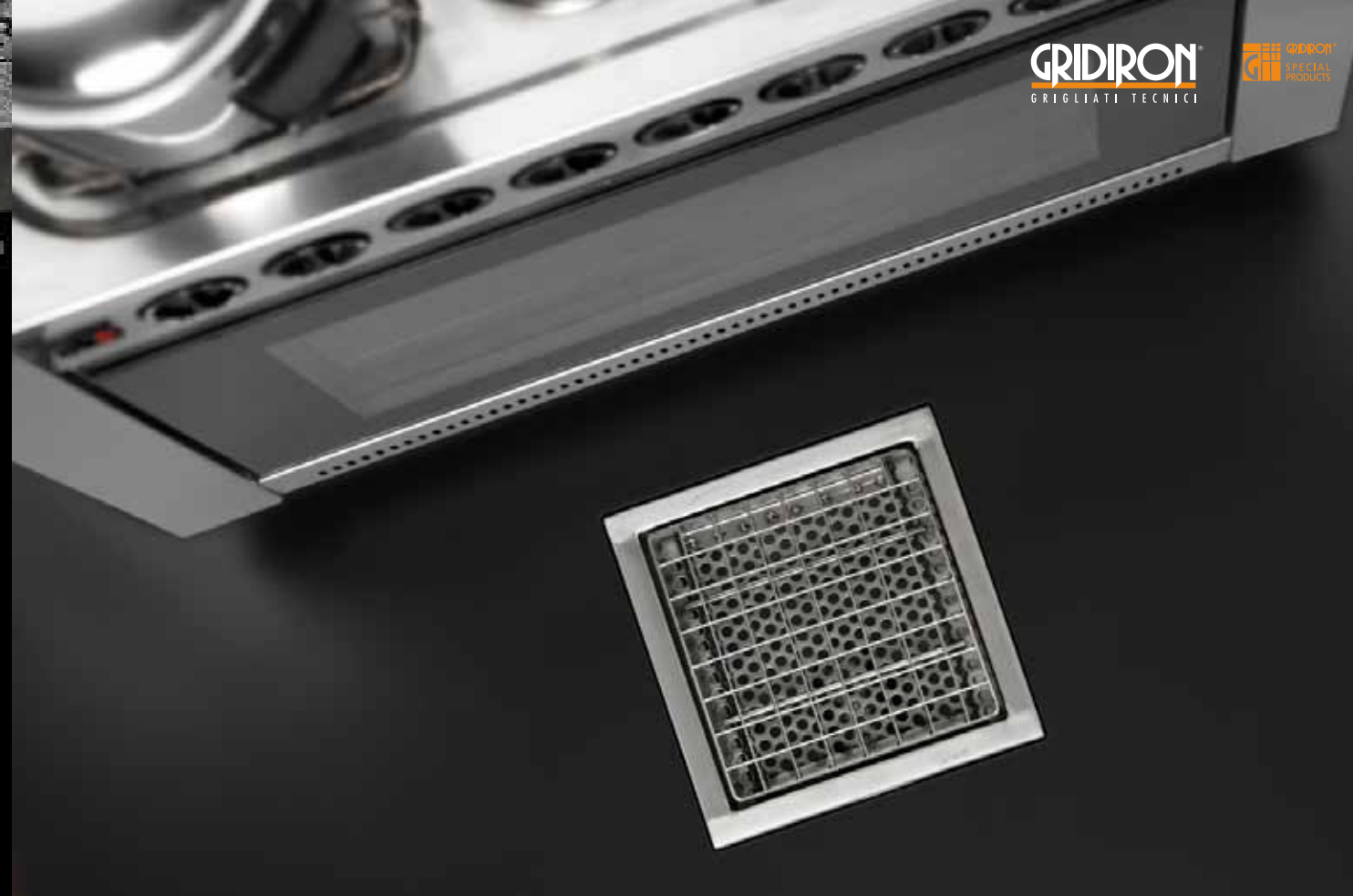
**Type of material:** AISI 304 stainless steel

**Material thickness:** 20/10



CODE	L	B	P	A	∅ S	H
6V10VT	1050	1000	200	150	63	130
6V11VT	1050	1000	250	200	63	130
6V12VT	1050	1000	300	250	63	130
6V13VT	1050	1000	350	300	63	130
6V14VT	1050	1000	400	350	63	130
6V15VT	1050	1000	450	400	63	130
6V16VT	1050	1000	500	450	63	130
6V20VT	2050	2000	200	150	63	130
6V21VT	2050	2000	250	200	63	130
6V22VT	2050	2000	300	250	63	130
6V23VT	2050	2000	350	300	63	130
6V24VT	2050	2000	400	350	63	130
6V25VT	2050	2000	450	400	63	130
6V26VT	2050	2000	500	450	63	130
6V30VT	3050	3000	200	150	63	130
6V31VT	3050	3000	250	200	63	130
6V32VT	3050	3000	300	250	63	130
6V33VT	3050	3000	350	300	63	130
6V34VT	3050	3000	400	350	63	130
6V35VT	3050	3000	450	400	63	130
6V36VT	3050	3000	500	450	63	130





## STAINLESS STEEL SQUARE BOX DRAIN CHANNELS STANDARD LOWERED

**Square box vertical drain** complete with filter trap, pressure-locked pickled and polished grid, entirely made in AISI 304 stainless steel.

**Square box horizontal drain** complete with filter trap, pressure-locked pickled and polished grid, entirely made in AISI 304 stainless steel.

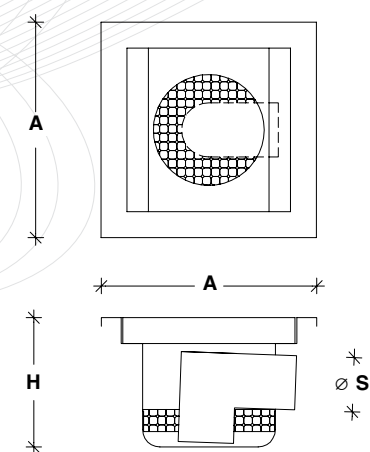


**Square box vertical drain** complete with filter trap, pressure-locked pickled and polished grid, entirely made in AISI 304 stainless steel.



**Square box horizontal drain** complete with filter trap, pressure-locked pickled and polished grid, entirely made in AISI 304 stainless steel.

### HORIZONTAL DRAIN for standard lowered stainless steel square box drain channels



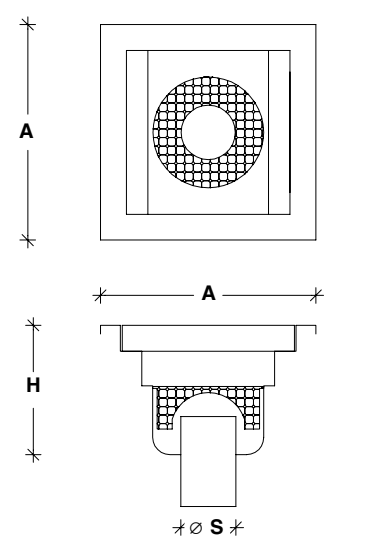
Square lowered box drain in AISI 304 stainless steel, with filter trap and grid, with drum and horizontal drain.

**Type of material:** AISI 304 stainless steel

**Material thickness:** 20/10

CODE	SIZE mm	A	B	∅ S	H
6970L	200X200	200	150	63	150
6971L	250X250	250	200	63	150
6972L	300X300	300	250	63	150
6973L	350X350	350	300	63	150
6974L	400X400	400	350	63	150
6975L	450X450	450	400	63	150
6976L	500X500	500	450	63	150

### VERTICAL DRAIN for standard lowered stainless steel square box drain channels



Square lowered box drain in AISI 304 stainless steel, with filter trap and grid, with drum and horizontal drain.

**Type of material:** AISI 304 stainless steel

**Material thickness:** 20/10

CODE	SIZE mm	A	B	∅ S	H
6970V	200X200	200	150	63	150
6971V	250X250	250	200	63	150
6972V	300X300	300	250	63	150
6973V	350X350	350	300	63	150
6974V	400X400	400	350	63	150
6975V	450X450	450	400	63	150
6976V	500X500	500	450	63	150





## **MADE TO MEASURE** RECTANGULAR STAINLESS STEEL BOX DRAIN CHANNELS

Available with lengths up to 6 m, giving excellent drainage for the food and chemical industries. Longer stretches can be made using the special coupling collars.

*The central drain is complete with filter trap which makes it easy to remove the waste and prevent unpleasant smells being formed.*





Vertical drain channel complete with filter upstream from the trap, pressure-locked pickled and polished grid, entirely made in AISI 304 stainless steel.



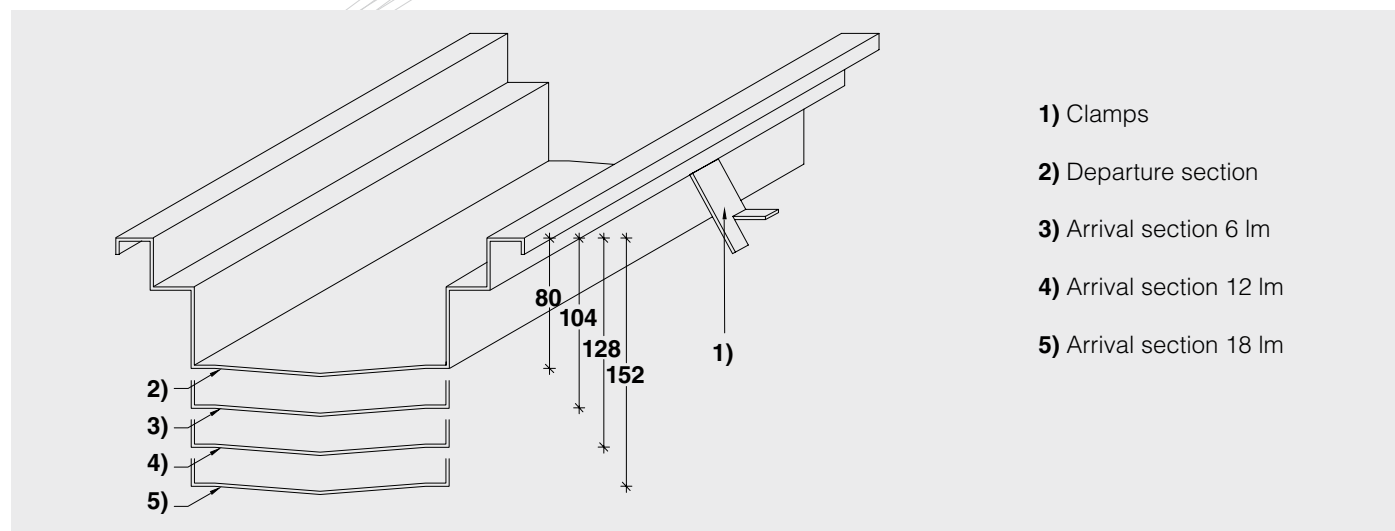
Horizontal drain channel complete with filter trap, pressure-locked pickled and polished grid, entirely made in AISI 304 stainless steel.

## ACCESSORIES FOR RECTANGULAR STAINLESS STEEL MADE TO MEASURE BOX DRAIN CHANNELS

Stainless steel box drains are complete with filter trap which makes it easy to remove the waste and prevent unpleasant smells being formed.

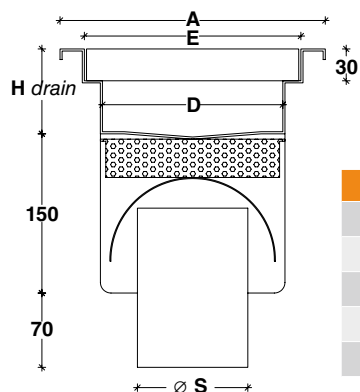
- 1) Adjustable feet
- 2) Resin reinforced edges
- 3) Prepared for the internal washing channel
- 4) Coupling and joining collar
- 5) 90° bend
- 6) Disposable clamps

### DRAWINGS AND TECHNICAL DATA RECTANGULAR STAINLESS STEEL BOX DRAIN CHANNELS, MADE TO MEASURE



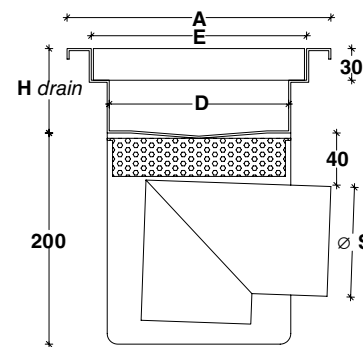
- 1) Clamps
- 2) Departure section
- 3) Arrival section 6 lm
- 4) Arrival section 12 lm
- 5) Arrival section 18 lm

### STANDARD STAINLESS STEEL DRAIN SUMP WITH VERTICAL DRAIN



A	S	D	E
150	63	70	104
200	104	120	154
250	104	170	204
300	104	220	254
350	104	270	304

### STANDARD STAINLESS STEEL DRAIN SUMP WITH HORIZONTAL DRAIN



A	S	D	E
150	63	70	104
200	104	120	154
250	104	170	204
300	104	220	254
350	104	270	304



1)



2)



3)



4)



5)



6)





## INSTALLATION EXAMPLES for stainless steels drains and channels

- 1) Flush installation and anchoring the drains to the ground
- 2) Laying the foundations reinforced with electro-welded mesh
- 3) Building the flattened foundations and laying or construction of the floor on site



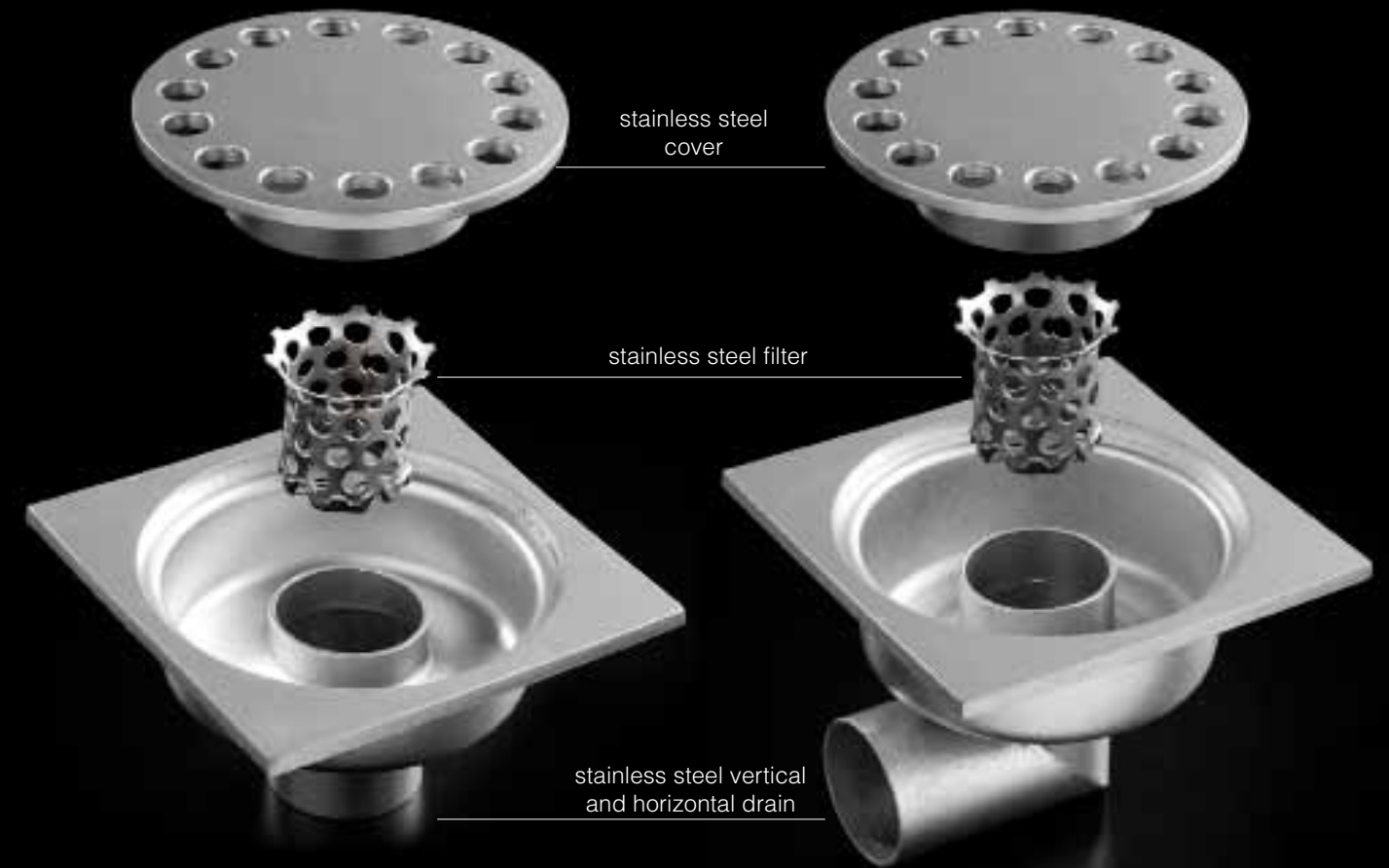
### SPECIAL STAINLESS STEEL PRODUCTS

## 4 STAINLESS STEEL FLOOR DRAINS

- STANDARD STAINLESS STEEL VERTICAL AND HORIZONTAL FLOOR DRAINS
- SPECIAL

Floor drains completely in stainless steel AISI 304 suitable for any type of flooring.  
Available in 2 different version.





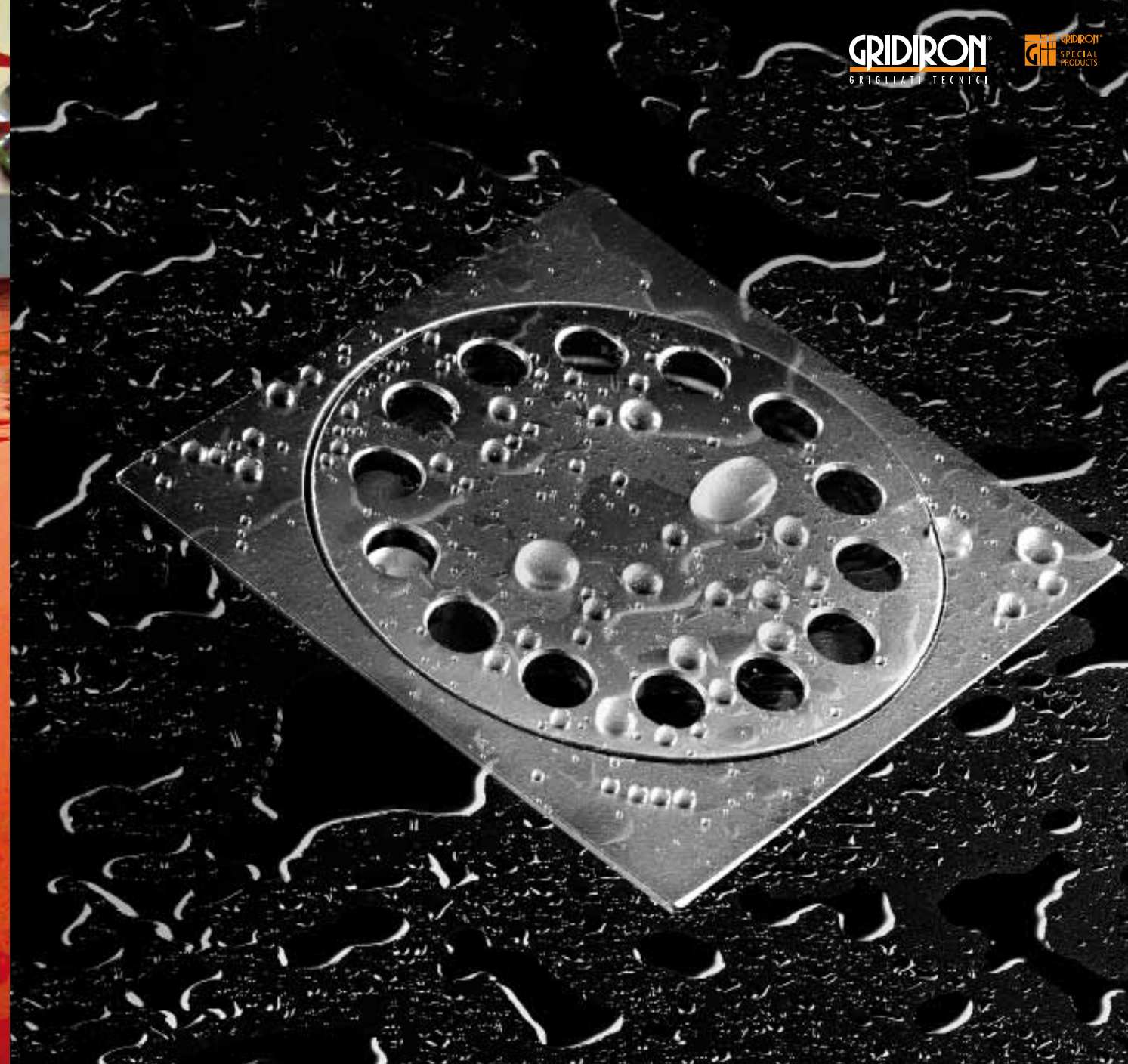
## STAINLESS STEEL FLOOR DRAINS

Floor drains completely in stainless steel AISI 304 suitable for any type of flooring.

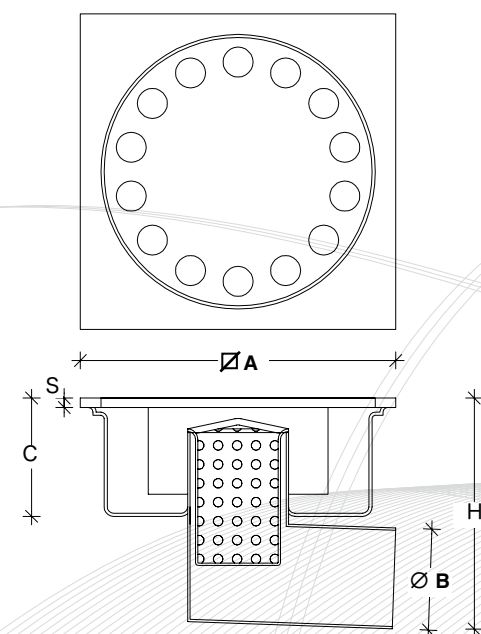
**AVAILABLE IN 2 DIFFERENT SIZES:**

- **HORIZONTAL drain**
- **VERTICAL drain**





**STANDARD STAINLESS STEEL HORIZONTAL FLOOR DRAINS**

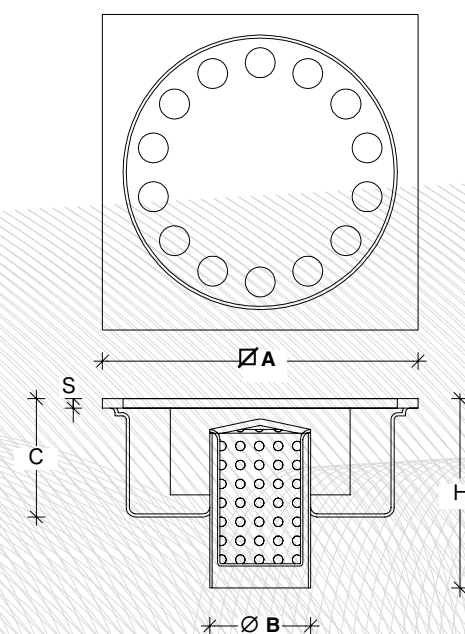


AISI 304 stainless steel floor drain with square drilled plate, filter trap with drum and horizontal drain.

**Type of material:** AISI 304 stainless steel

CODE	SIZE mm	A	S	Ø B	C	H
6910L	100X100	100	6	40	40	85
6912L	150X150	150	6	50	50	105
6911L	200X200	200	6	63	75	140
6914L	250X250	250	6	104	110	220
6913L	300X300	300	6	104	110	220
691AL	300X300	300	8	110	110	220
6915L	350X350	350	8	154	100	260

**STANDARD STAINLESS STEEL VERTICAL FLOOR DRAINS**

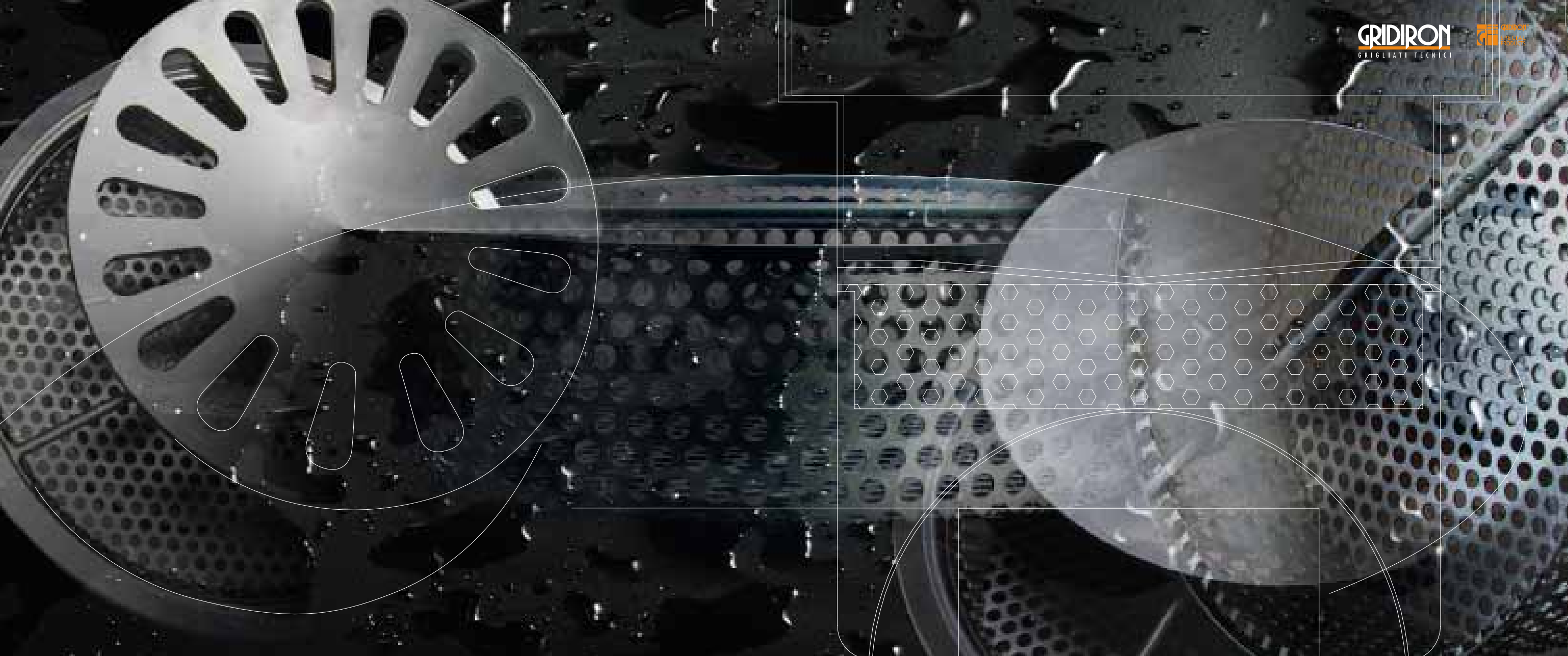


AISI 304 stainless steel floor drain with drilled plate, filter trap with drum and vertical drain.

**Type of material:** AISI 304 stainless steel

CODE	SIZE mm	A	S	Ø B	C	H
6910	100X100	100	6	40	40	80
6912	150X150	150	6	50	50	90
6911	200X200	200	6	63	75	120
6914	250X250	250	6	104	110	180
6913	300X300	300	6	104	110	180
691A	300X300	300	8	104	110	180
6915	350X350	350	8	154	135	230





## SPECIAL STAINLESS STEEL FLOOR DRAINS

Thanks to GRIDIRON's flexibility standard and custom sized floor drains can be manufactured to customer's requirements. The components that can be customized are as follows:

- **cover,**
- **drilled plates according the customer's drawing and with different thickness**
- **circular or square sectional floor drains with innovative collecting systems to be planned together with the customer.**

A skilled technical office is at your disposal to suggest the most suitable solution from the wide range of applications in water drainage sector.



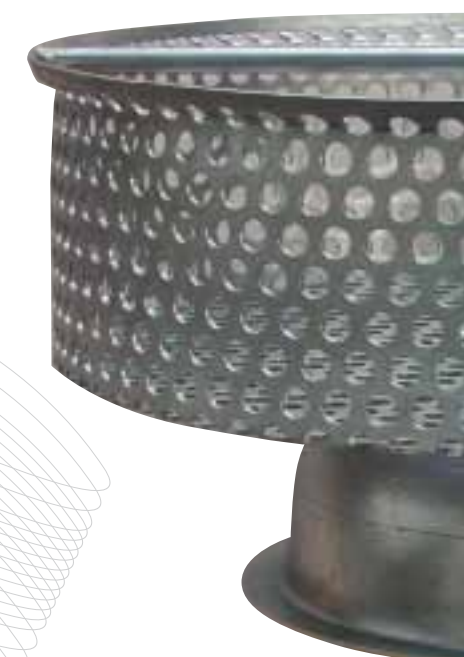
**SPECIAL STAINLESS STEEL FLOOR DRAIN**  
*Drilled plate*

*The special shape of this floor drain adapts perfectly to industrial floors with resin surface treatment. The circular cover with daisy holes allows the liquid to flow away with the larger parts trapped inside the internal drum. This product is ideal for the agro-food industries, especially in ham curing factories.*



**SPECIAL STAINLESS STEEL FLOOR DRAIN**  
*Watertight plate*

*The special floor drain with the sealed cover and O-RING gasket and internal drum is ideal for use in the chemical-pharmaceutical industry. It has a blind removable cover with sucker, which allows the liquids to flow out only in special situations.*





## INSTALLATION EXAMPLES for stainless steel floor drains

- 1) Flush installation and anchoring the drain
- 2) Constructing the foundation reinforced with electro-welded mesh
- 3) Construction of a flattened foundation and installation or construction of the floor on site



### STAINLESS STEEL SPECIAL PRODUCTS

## 5 MANHOLES

- MANHOLES H 30 MM
- MANHOLES H 50 MM

GRIDIRON suggests stainless steel 8/10 and 15/10 manhole covers with two types of lift: by knob when covers are lifted only occasionally; by handle for frequent removal of covers.





## STAINLESS STEEL MANHOLES H 30 and H 50 mm

Gridiron Spa presents Grade 304 Stainless Steel manholes with thickness 8/10 and 15/10 suitable for particularly valuable and precious floorings. Available in two different sizes with 2 lifting types, a conventional one by knob and an innovative one by a fold-away handle.

Gridiron manholes are the ideal solution for prestigious housing estate, and also in environments where high hygienic standards must be maintained such as in chemical laboratories, and the food and pharmaceutical industries; where durability and permanence are necessary and essential properties.

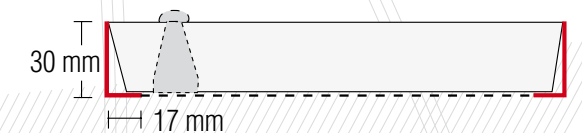
- Cover H 50 with knob and screw
- Cover H 50 with handle
- Cover H 30 with handle

### MANHOLE LOWINOX H30 MM WITH KNOB AND SCREW

Recessed manhole, in stainless steel AISI 304, thickness 8/10, complete with frame and stainless steel knob for lifting. Comes in packs of 6.

**N.B. available only with knob for lifting**

**Type of material:** AISI 304 stainless steel



CODE	SIZE mm	DEPTH	WEIGHT kg
7261	240x240 h30	8/10	0.73
7263	340x340 h30	8/10	1.24
7265	440x440 h30	8/10	1.90
7267	540x540 h30	8/10	2.70



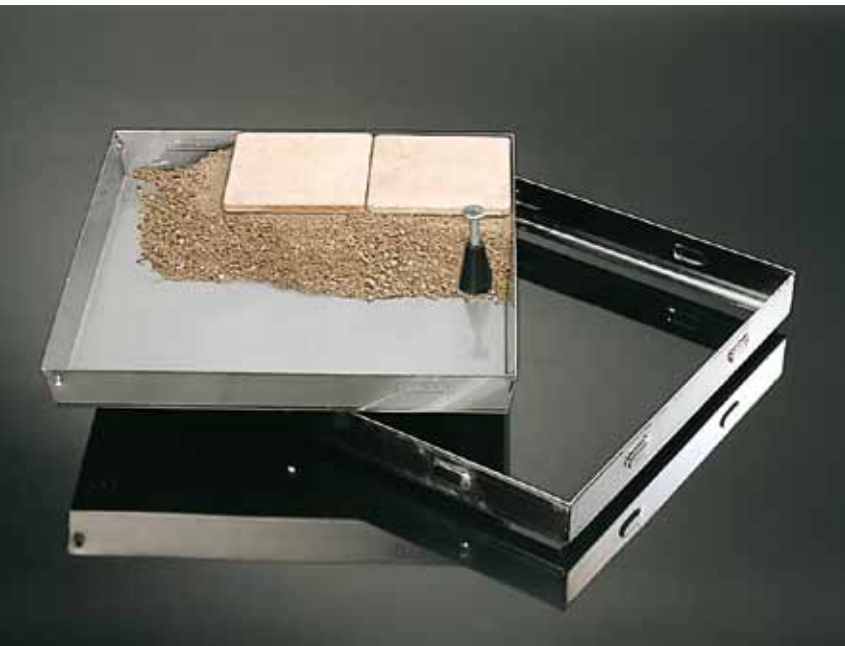
Conical plastic knob with screw in galvanised steel, stainless steel.



Lifting system by fold-away handle for situations where frequent, easy and safe removal of the manhole cover is necessary.







**MANHOLE INOX H50 MM WITH KNOB**



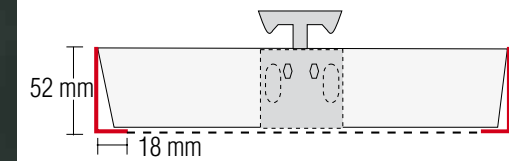
Recessed manhole cover, in polished stainless steel AISI 304, thickness 15/10, inclusive of frame and knob with stainless steel screw for lifting. Comes in packs of 6.

**Type of material:** AISI 304 stainless steel

CODE	SIZE mm	DEPTH	WEIGHT kg
7111	240x240 h50	15/10	1.79
7112	340x340 h50	15/10	3.05
7113	440x440 h50	15/10	4.39
7114	540x540 h50	15/10	6.30
7115	640x640 h50	15/10	7.90



**MANHOLE BRILL H50 MM WITH HANDLE**



Recessed manhole cover, in polished stainless steel AISI 304, thickness 15/10, inclusive of frame and patented lifting system by fold-away handle. Comes in packs of 6.

**Type of material:** AISI 304 stainless steel

CODE	SIZE mm	DEPTH	WEIGHT kg
7151	240x240 h50	15/10	1.79
7152	340x340 h50	15/10	3.05
7153	440x440 h50	15/10	4.39
7154	540x540 h50	15/10	6.30
7155	640x640 h50	15/10	7.90



**MANHOLE FINOX H50 MM WITH KNOB**



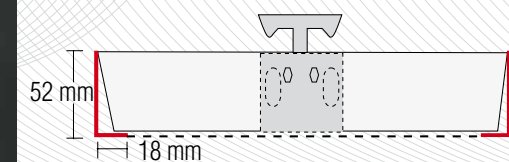
Recessed manhole cover, in stainless steel AISI 304, thickness 8/10, inclusive of frame and knob with stainless steel screw for lifting. Comes in packs of 6.

**Type of material:** AISI 304 stainless steel

CODE	SIZE mm	DEPTH	WEIGHT kg
7201	240x240 h50	8/10	1.02
7202	340x340 h50	8/10	1.64
7203	440x440 h50	8/10	2.38
7204	540x540 h50	8/10	3.21
7205	640x640 h50	8/10	4.28



**MANHOLE TOP H50 MM WITH HANDLE**



Recessed manhole cover, in stainless steel AISI 304, thickness 8/10, inclusive of frame and patented lifting system by fold-away handle. Comes in packs of 6.

**Type of material:** AISI 304 stainless steel

CODE	SIZE mm	DEPTH	WEIGHT kg
7211	240x240 h50	8/10	1.02
7212	340x340 h50	8/10	1.64
7213	440x440 h50	8/10	2.38
7214	540x540 h50	8/10	3.21
7215	640x640 h50	8/10	4.28